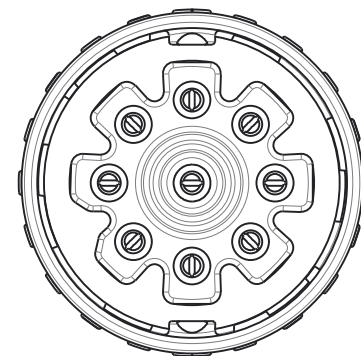
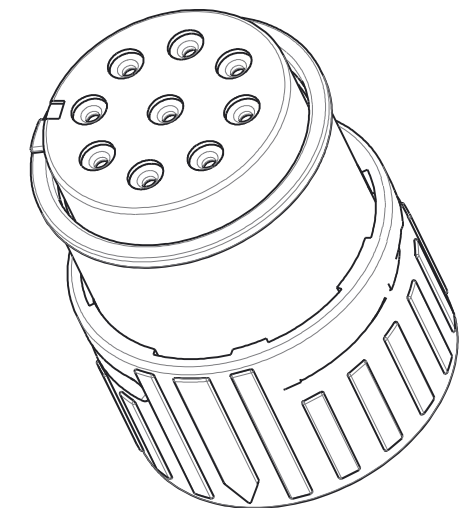
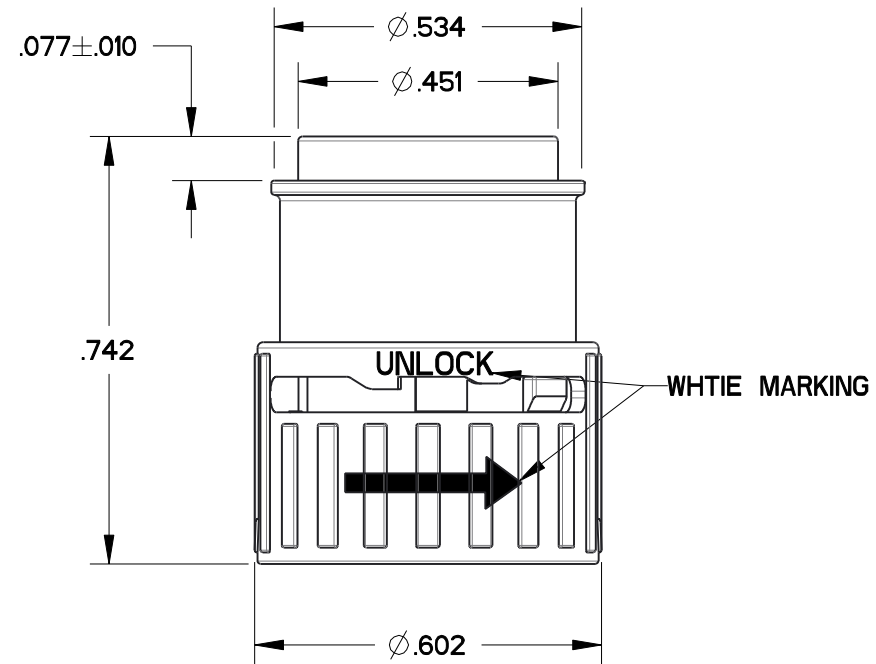
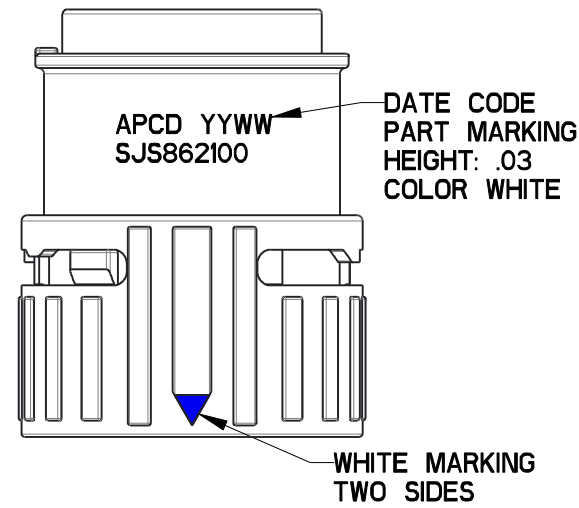
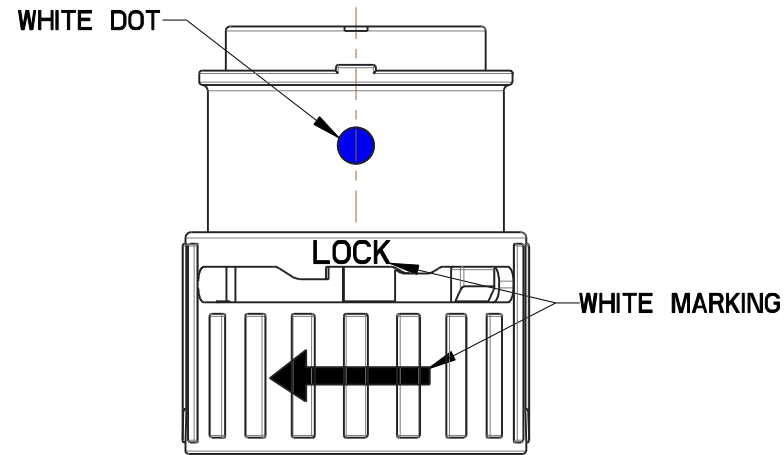
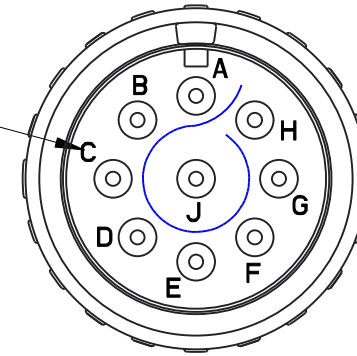


REV	ECN	APP'D
-		

GROMMET MARKING
.04 HIGH CHARACTERS
COLOR: CONTRASTING



APCD P/N	CONTACTS SUPPLIED	PART MARKING
SJS862100	NONE	SJS862100
SJS862101	(9) M39029/57-354	

- NOTES:
 1. MATERIALS:
 HOUSING: PA6/6, COLOR: BLACK.
 COUPLING NUT: PA6/6, COLOR: BLACK.
 CONTACT RETAINER: STAINLESS STEEL.
 GROMMET: SILICONE RUBBER PER A-A-59588. COLOR: RED
 2. MATING CONTACTS: SEE TABLE 1.
 3. PART MATES WITH SJS862200/201.
 4. EST. WEIGHT: 2.4 GRAMS.
 5. SUPPLIED WITH DUST CAP.

DIMENSIONS ANSI Y14.5M UNITS: INCHES Pro/E FILE	TOLERANCES .XX ±0.01 .XXX ±0.005 ANGLES ±1.0°	PROJECTION 	Amphenol Pcd SPECIFICATION DRAWING			TITLE SJS PLUG 9 POSITION SIZE 22		
			ENGR Sean.Zeng Apr-18-13	SIZE B		DWG NO. SJS862100_CE		REV -
ORIGINAL	THIS DOCUMENT CONTAINS PROPRIETARY INFORMATION WHICH IS THE CONFIDENTIAL PROPERTY OF AMPHENOL PCD INC., BEVERLY, MA		CHKD	CODE: 58982		SCALE: 3:1	SHEET 1 OF 1	

SJS862100_CE

SJS862100_CE