

4

3

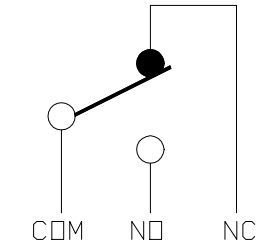
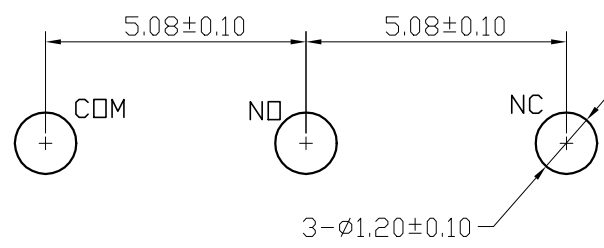
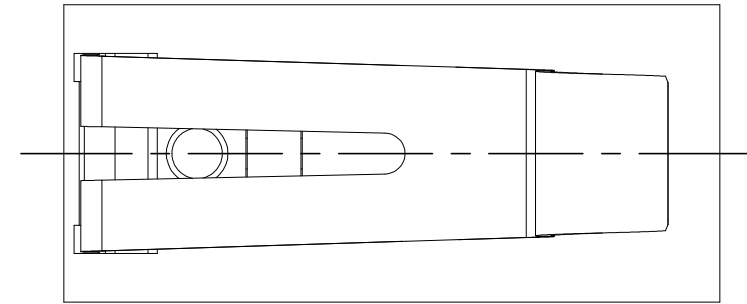
2

1

THIS DRAWING IS UNPUBLISHED. RELEASED FOR PUBLICATION  
 © COPYRIGHT - TE Connectivity Ltd. ALL RIGHTS RESERVED.

REVISIONS					
P	LTR	DESCRIPTION	DATE	DWN	APVD
1		NEW DRAWING	09MAY2019	GCM	AS

APPLICABLE FOR TE P/N  
 2351449-1  
 2351449-4

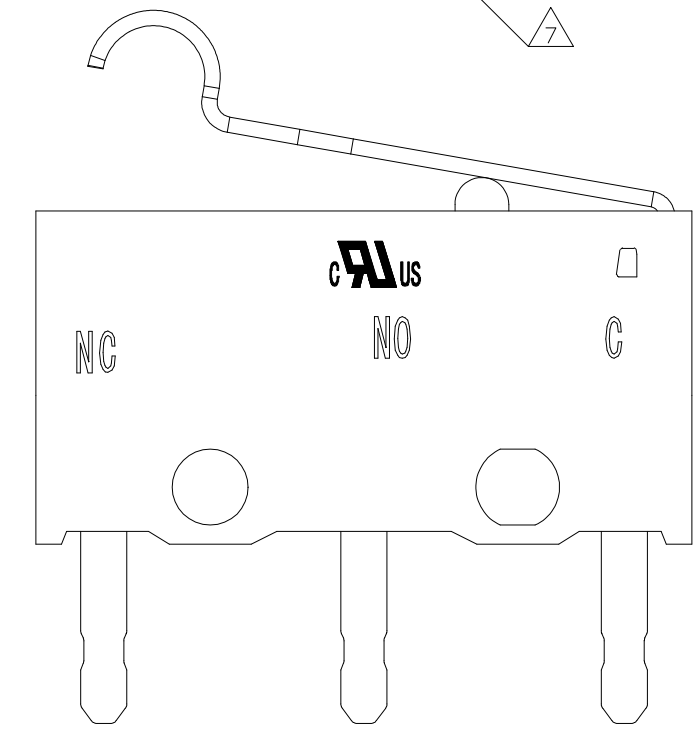
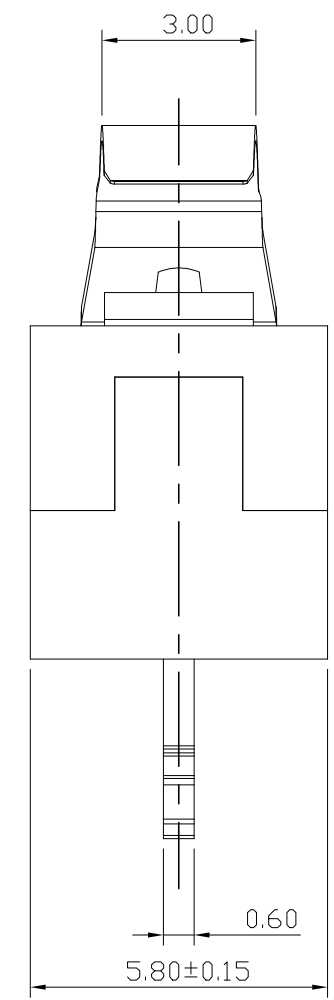
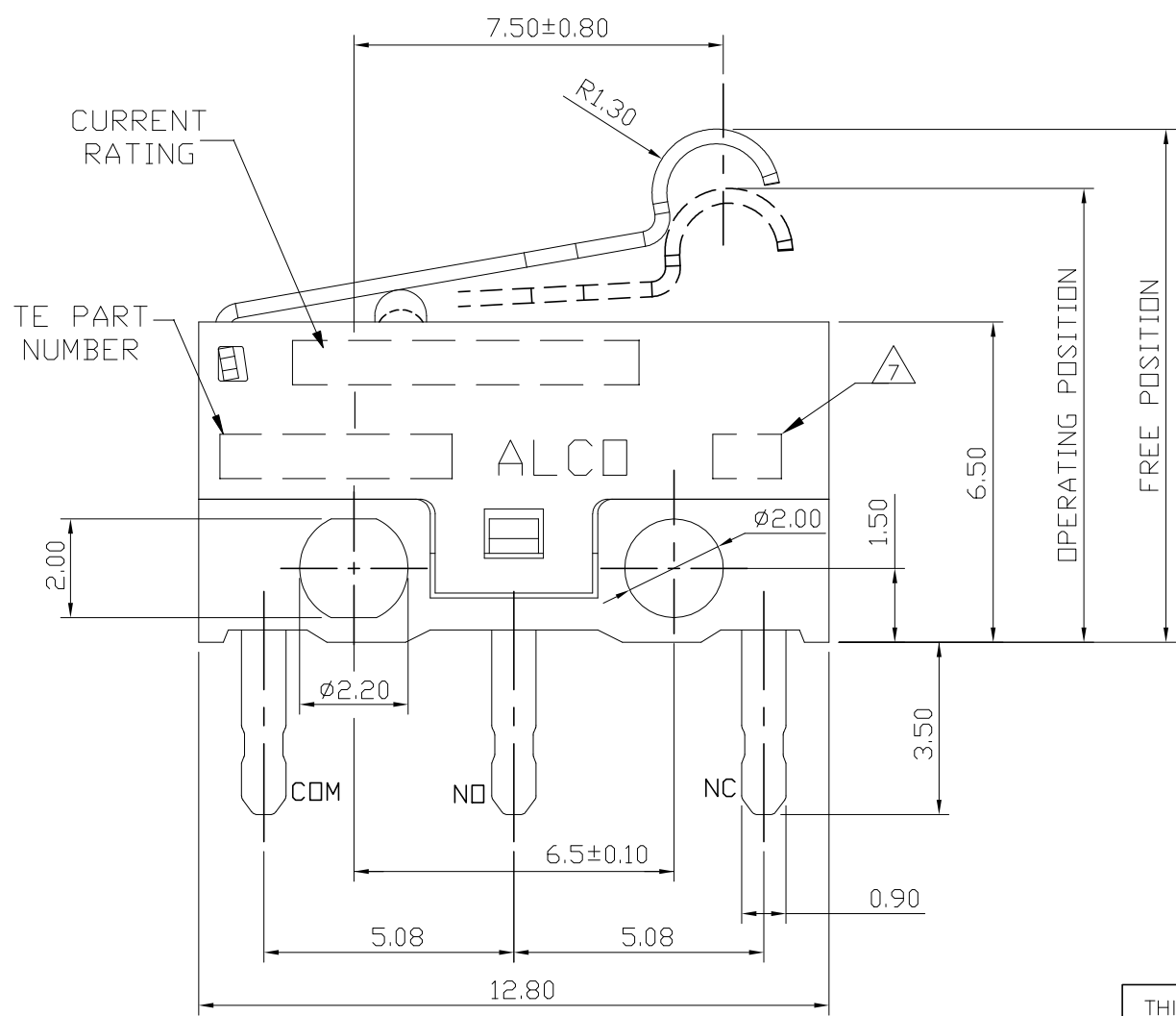


P.C.B LAYOUT

CIRCUIT DIAGRAM

PART MARKING

□ 0.1A 30VDC 2351449-1 ALCO Y7	□ 1.5A250VAC/3A125VAC 2351449-4 ALCO Y7
-----------------------------------	--



THIS DRAWING IS A CONTROLLED DOCUMENT.		DWN 09MAY2019 GANESH C M	TE Connectivity Ltd.	
DIMENSIONS: mm		CHK 09MAY2019 ALEXANDER SHARPE		
TOLERANCES UNLESS OTHERWISE SPECIFIED:		APVD 09MAY2019 ALEXANDER SHARPE	NAME SWITCH, ULTRA SUBMINIATURE SNAP ACTION, ROUND FORMED LEVER, PCB TERMINAL	
0 PLC ± - 1 PLC ± - 2 PLC ± 0.4 3 PLC ± - 4 PLC ± - ANGLES ± -		PRODUCT SPEC -	SIZE A3	
MATERIAL		FINISH	CAGE CODE 00779	DRAWING NO 2351449
			RESTRICTED TO	
CUSTOMER DRAWING			SCALE NTS	SHEET 1 of 4
			REV 1	

**PRELIMINARY**

4

3

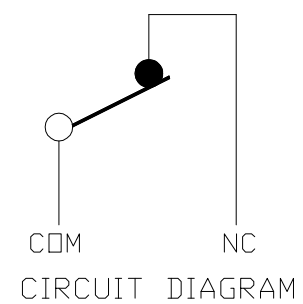
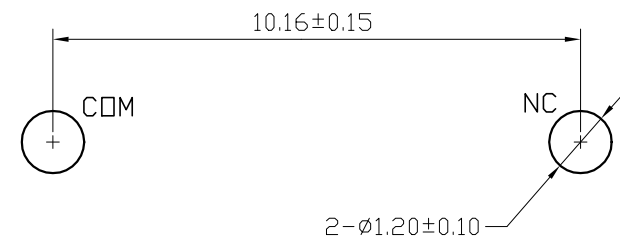
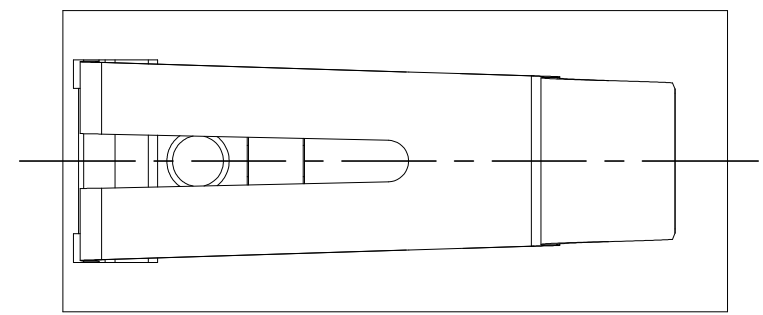
2

1

THIS DRAWING IS UNPUBLISHED. RELEASED FOR PUBLICATION  
 © COPYRIGHT - TE Connectivity Ltd. ALL RIGHTS RESERVED.

REVISIONS					
P	LTR	DESCRIPTION	DATE	DWN	APVD
-	-	SEE SHEET 1	-	-	-

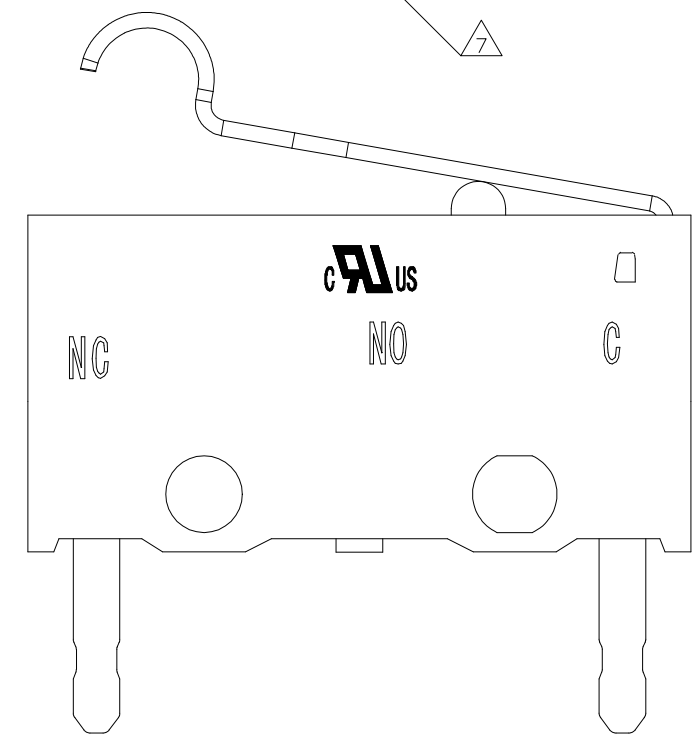
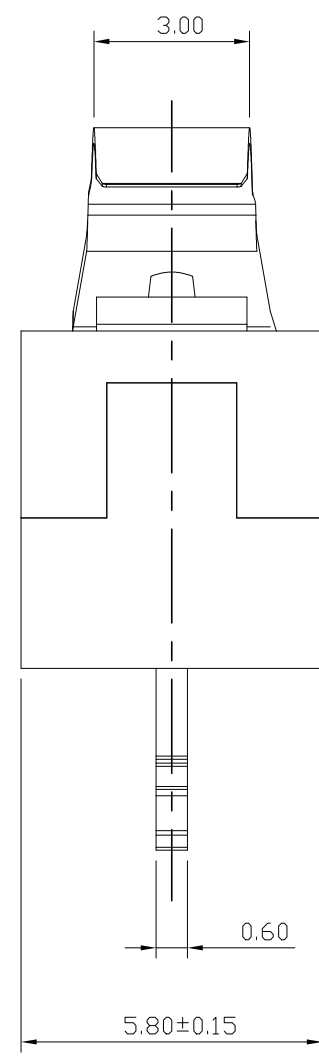
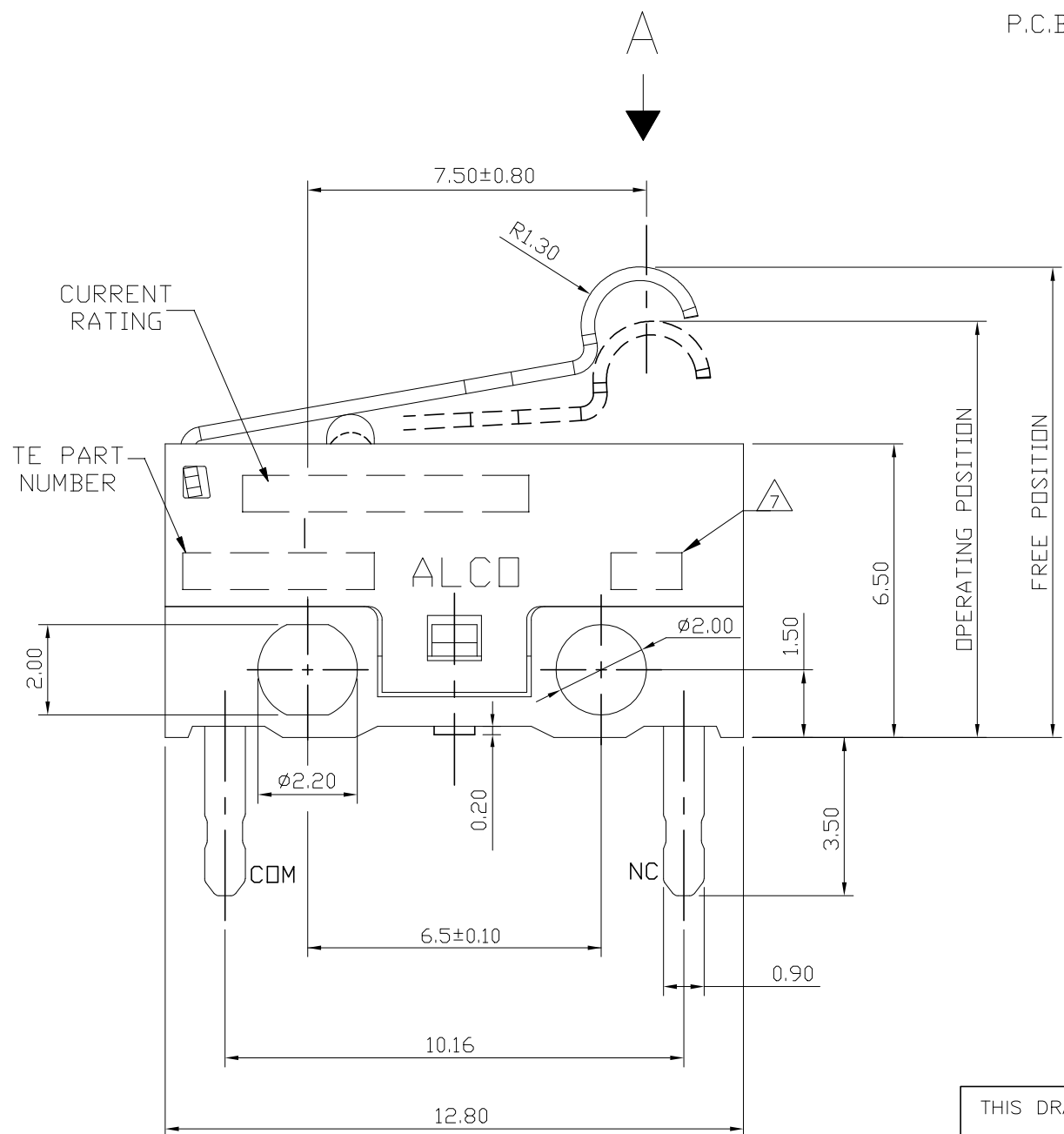
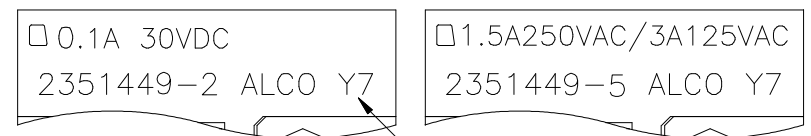
APPLICABLE FOR TE P/N  
 2351449-2  
 2351449-5



P.C.B LAYOUT

CIRCUIT DIAGRAM

PART MARKING



THIS DRAWING IS A CONTROLLED DOCUMENT.		DWN 09MAY2019 GANESH C M	TE Connectivity Ltd.	
DIMENSIONS: mm		CHK 09MAY2019 ALEXANDER SHARPE		
TOLERANCES UNLESS OTHERWISE SPECIFIED:		APVD 09MAY2019 ALEXANDER SHARPE	NAME SWITCH, ULTRA SUBMINIATURE SNAP ACTION, ROUND FORMED LEVER, PCB TERMINAL	
0 PLC ± - 1 PLC ± - 2 PLC ± 0.4 3 PLC ± - 4 PLC ± - ANGLES ± -		PRODUCT SPEC -	SIZE A3	
MATERIAL		FINISH	CAGE CODE 00779	DRAWING NO C-2351449
-		-	RESTRICTED TO -	
CUSTOMER DRAWING			SCALE NTS	SHEET 2 of 4
			REV 1	

PRELIMINARY

4

3

2

1

THIS DRAWING IS UNPUBLISHED.

RELEASED FOR PUBLICATION

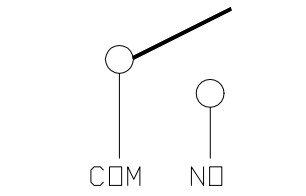
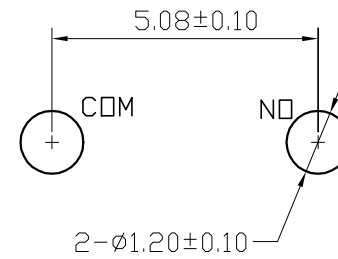
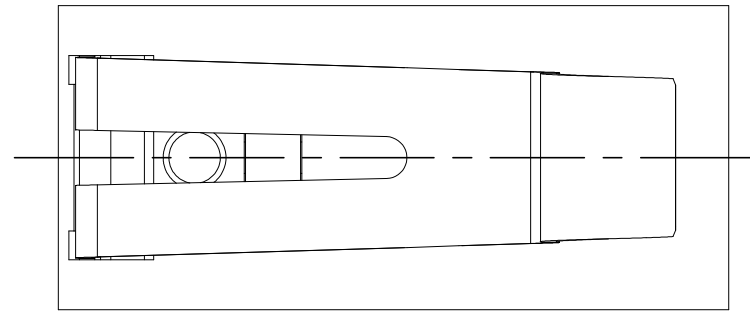
REVISIONS

© COPYRIGHT - TE Connectivity Ltd.

ALL RIGHTS RESERVED.

P	LTR	DESCRIPTION	DATE	DWN	APVD
-	-	SEE SHEET 1	-	-	-

APPLICABLE FOR TE P/N
2351449-3
2351449-6

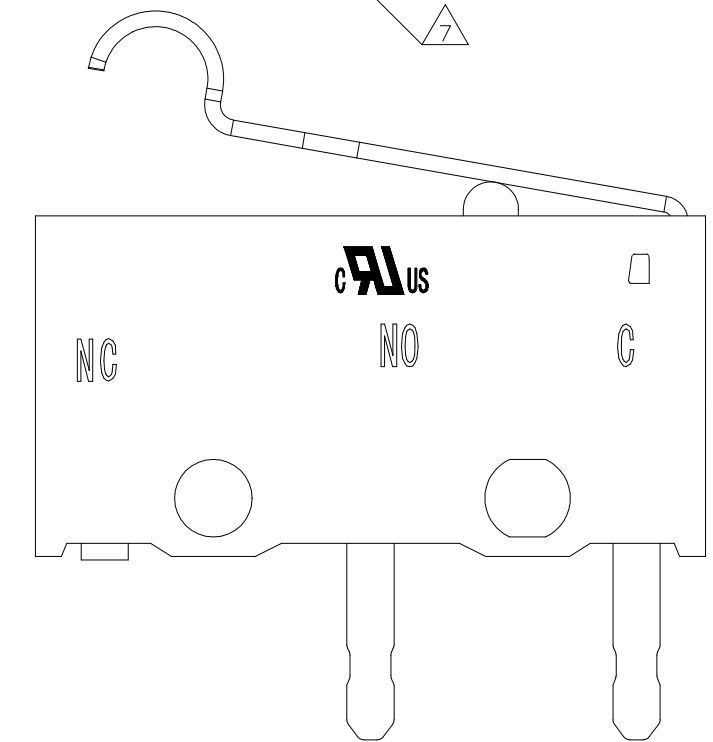
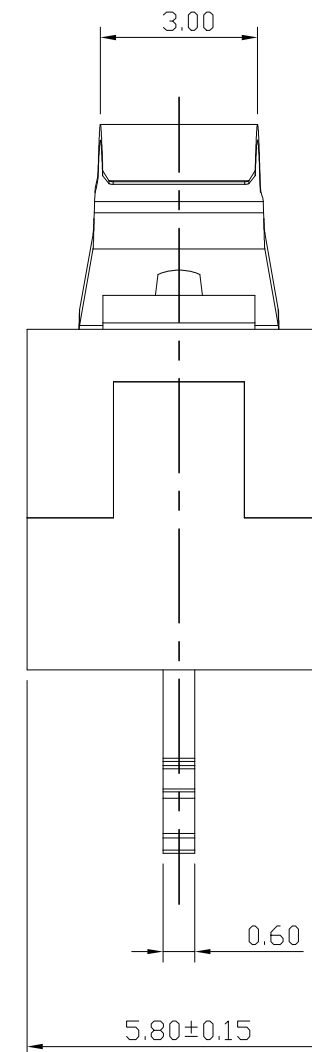
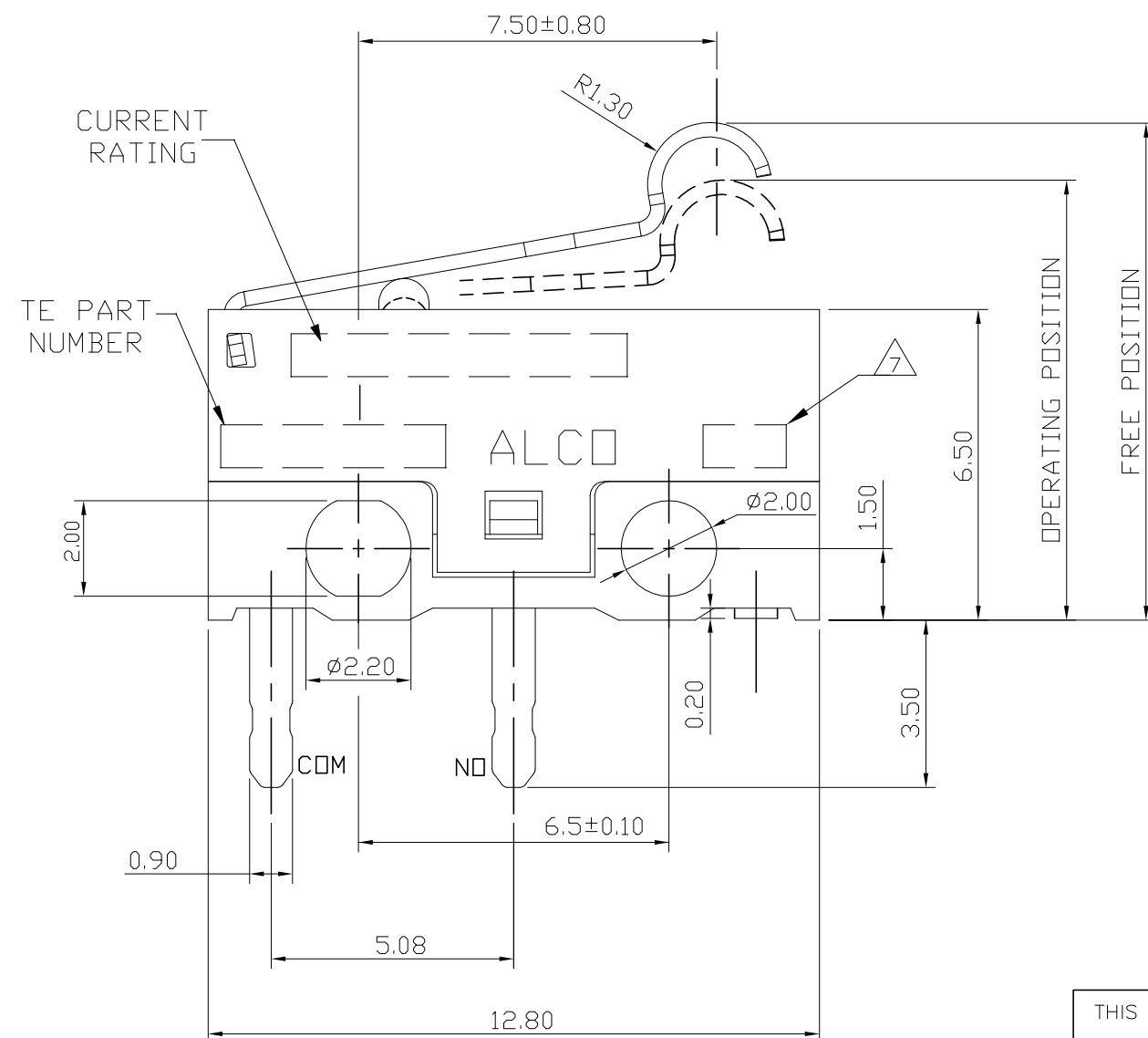


P.C.B LAYOUT

CIRCUIT DIAGRAM

PART MARKING

□ 0.1A 30VDC 2351449-3 ALCO Y7	□ 1.5A250VAC/3A125VAC 2351449-6 ALCO Y7
-----------------------------------	--



THIS DRAWING IS A CONTROLLED DOCUMENT.

DWN 09MAY2019 GANESH C M

CHK 09MAY2019 ALEXANDER SHARPE

APVD 09MAY2019 ALEXANDER SHARPE

PRODUCT SPEC

APPLICATION SPEC

WEIGHT -

CUSTOMER DRAWING

**TE** TE Connectivity Ltd.

NAME SWITCH, ULTRA SUBMINIATURE SNAP ACTION, ROUND FORMED LEVER, PCB TERMINAL

SIZE	CAGE CODE	DRAWING NO	RESTRICTED TO
A3	00779	C-2351449	-

SCALE	SHEET	REV
NTS	3 of 4	1

# PRELIMINARY

THIS DRAWING IS UNPUBLISHED. RELEASED FOR PUBLICATION  
 © COPYRIGHT - TE Connectivity Ltd. ALL RIGHTS RESERVED.

REVISIONS				
P	LTR	DESCRIPTION	DATE	APVD
-	-	SEE SHEET 1	-	-

NOTES:

- OPERATING CHARACTERISTICS ARE FOR OPERATION IN THE A DIRECTION ↓
- PACKAGING:  
SWITCHES ARE BULK PACKAGED IN BAGS, 500 SWITCHES PER BAG, 2 BAGS PER BOX.
- COMPLIANCE:  
THE CURRENT STATEMENT OF COMPLIANCE IS AVAILABLE AT TE.COM.
- MATERIAL AND FINISH:  
LEVER: STAINLESS STEEL  
BUTTON: THERMOPLASTIC, WHITE  
COVER: THERMOPLASTIC, BLACK  
BASE: THERMOPLASTIC, BLACK  
SPRING PLATE: COPPER ALLOY  
CONTACT: SILVER ALLOY, SILVER PLATED  
TERMINAL: BRASS, SILVER PLATED
- SPECIFICATIONS:  
CURRENT RATING: SEE TABLE  
CONTACT RESISTANCE: 100mΩ MAXIMUM INITIAL, AT FREE POSITION AND TOTAL TRAVEL POSITION.  
INSULATION RESISTANCE: 100MΩ MINIMUM @ 500 V DC FOR 1 MINUTE, INITIAL.  
DIELECTRIC WITHSTANDING VOLTAGE, BETWEEN TERMINALS OF THE SAME POLARITY: 600 V AC, 50 TO 60 Hz FOR 1 MINUTE  
DIELECTRIC WITHSTANDING VOLTAGE, BETWEEN EACH TERMINAL AND GROUND: 1500 V AC, 50 TO 60 Hz FOR 1 MINUTE  
DIELECTRIC WITHSTANDING VOLTAGE, BETWEEN EACH TERMINAL AND NON-CURRENT CARRYING METAL PART:  
1500 V AC, 50 TO 60 Hz FOR 1 MINUTE
- SOLDER PROCESS:  
MANUAL SOLDERING: 350°C, 3 SECONDS MAXIMUM, 30 TO 40 WATTS. PREVENT SOLDER AND FLUX CONTACTING THE SWITCH BODY.  
DO NOT OPERATE THE SWITCH DURING THE FIRST MINUTE AFTER SOLDERING.  
WAVE SOLDERING: 260°C, 5 SECONDS MAXIMUM. PREVENT SOLDER AND FLUX CONTACTING THE SWITCH BODY.  
DO NOT OPERATE THE SWITCH DURING THE FIRST MINUTE AFTER SOLDERING.

△ 7 DATE CODE : ① ②


①	MONTH	1 TO 9, X, Y, Z (X=10, Y=11, Z=12)
②	YEAR	0 TO 9 (EX: 7=2017)

8. CERTIFICATION: 

CONTACT FINISH	CONTACT FORM	MECHANICAL LIFE	ELECTRICAL LIFE	STORAGE TEMPERATURE RANGE/HUMIDITY RANGE	OPERATING TEMPERATURE RANGE/HUMIDITY RANGE	MOVEMENT DIFFERENTIAL	OVERTRAVEL	OPERATING POSITION	FREE POSITION	RELEASE FORCE	OPERATING FORCE	RATING RESISTIVE LOAD	CONTACT CONFIGURATION	TE SMART PART NUMBER	PART NUMBER
SILVER	SPST, NORMALLY OPEN	500,000 CYCLES, MINIMUM	6,000 CYCLES, MINIMUM	-40 TO +85°C/85% RELATIVE HUMIDITY MAXIMUM	-25 TO +75°C/60% RELATIVE HUMIDITY MAXIMUM	0.45 MAXIMUM	0.50 MINIMUM	10.2±1.2	14.0 MAXIMUM	0.02N MINIMUM	0.39N MAXIMUM	3 A, 125 VAC, 1.5 A, 250 VAC	MOMENTARY	SAJ13XXRHLN88SNOPTQ	2351449-6
	SPST, NORMALLY CLOSED													SAJ13XXRHLN88SNCPTQ	2351449-5
	SPDT													SAJ13XXRHLN88SDTPTQ	2351449-4
	SPST, NORMALLY OPEN	1,000,000 CYCLES, MINIMUM	30,000 CYCLES, MINIMUM											SAJ101XRHLN74SNOPTQ	2351449-3
	SPST, NORMALLY CLOSED													SAJ101XRHLN74SNCPTQ	2351449-2
	SPDT													SAJ101XRHLN74SDTPTQ	2351449-1
0.1 A, 30 VDC															

**PRELIMINARY**

THIS DRAWING IS A CONTROLLED DOCUMENT.

DWN	09MAY2019	 TE Connectivity Ltd.			
CHK	09MAY2019				
APVD	09MAY2019				
PRODUCT SPEC					
APPLICATION SPEC		NAME			
		SWITCH, ULTRA SUBMINIATURE SNAP ACTION, ROUND FORMED LEVER, PCB TERMINAL			
WEIGHT	-	SIZE	CAGE CODE	DRAWING NO	RESTRICTED TO
		A3	00779	C=2351449	-
CUSTOMER DRAWING			SCALE	SHEET	REV
			NTS	4 OF 4	1