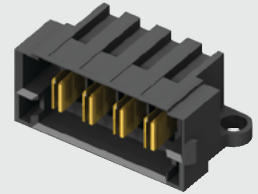
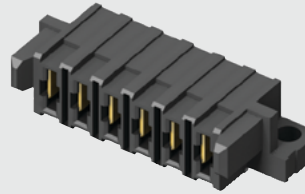


MPS-06-01-01-L-RA-SD



MPT-04-01-01-L-RA-SD

(5.00 mm) .1969"

MPT-RA, MPS-RA SERIES

RIGHT-ANGLE 30 A POWER CONNECTORS

MPT-RA Mates with:
MPS, MPSS

MPS-RA Mates with:
MPT

SPECIFICATIONS

For complete specifications see www.samtec.com?MPT or www.samtec.com?MPS

Insulator Material:

Black LCP

Terminal Material:

Copper Alloy

Plating:

Sn or Au over

50 μm (1.27 μm) Ni

Operating Temp Range:

-55 °C to +105 °C with Tin;

-55 °C to +125 °C with Gold

Voltage Rating:

575 VAC/812 VDC

Standard Creepage:

(2.86 mm) .113"

Standard Clearance:

(2.71 mm) .106"

RoHS Compliant:

Yes

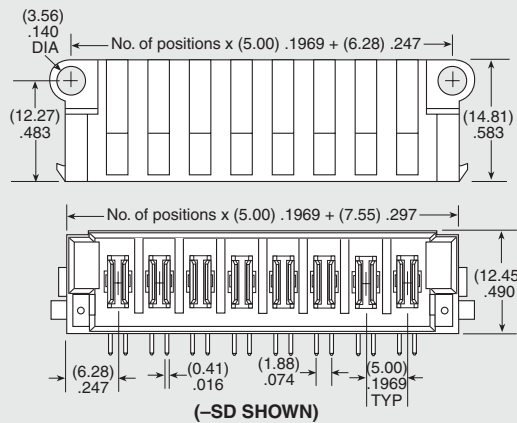
Lead-Free Solderable:

Yes

MPT-RA/MPS-RA	
POWER PINS	CURRENT RATING (PER CONTACT)
1	23.3 A
2	20.5 A
3	19.4 A
4	18.4 A
8	17.2 A
-L PLATING	



-02, -04, -06, -08



-01
= Use with
(1.60 mm) .062"
Thick PCB

-03
= Use with
(2.36 mm) .093"
Thick PCB

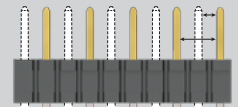
-L
= 10 μm (0.25 μm) Gold on contact,
Matte Tin on tail

-T
= Matte Tin



• Screw downs

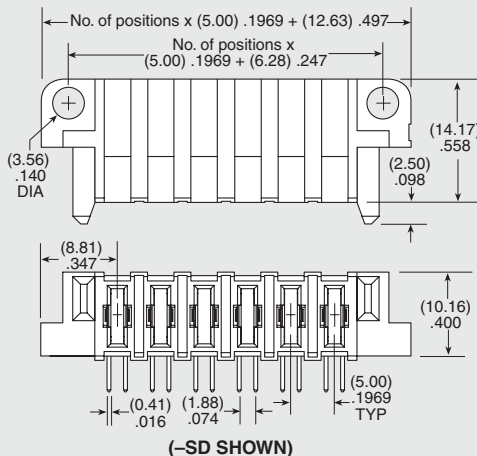
CREEPAGE AND CLEARANCE



Selectively loading contacts achieves customer specific creepage and clearance requirements.
Contact asp@samtec.com



-02, -04, -06, -08



-01
= Use with
(1.60 mm) .062"
Thick PCB

-03
= Use with
(2.36 mm) .093"
Thick PCB

-L
= 10 μm (0.25 μm) Gold on contact,
Matte Tin on tail

-T
= Matte Tin

ALSO AVAILABLE (MOQ Required)

- Other sizes
- Locking Clip (Manual placement required)

RECOGNITIONS

For complete scope of recognitions see www.samtec.com/quality



OTHER SOLUTIONS

- Power/Signal combination headers & sockets (see MPTC or MPSC Series)
- High Power Headers (see PET Series)
- High Power Sockets (see PES Series)
- Vertical (see MPT or MPS Series)

Note: Some sizes, styles and options are non-standard, non-returnable.

Due to technical progress, all designs, specifications and components are subject to change without notice.

WWW.SAMTEC.COM

All parts within this catalog are built to Samtec's specifications.

Customer specific requirements must be approved by Samtec and identified in a Samtec customer-specific drawing to apply.