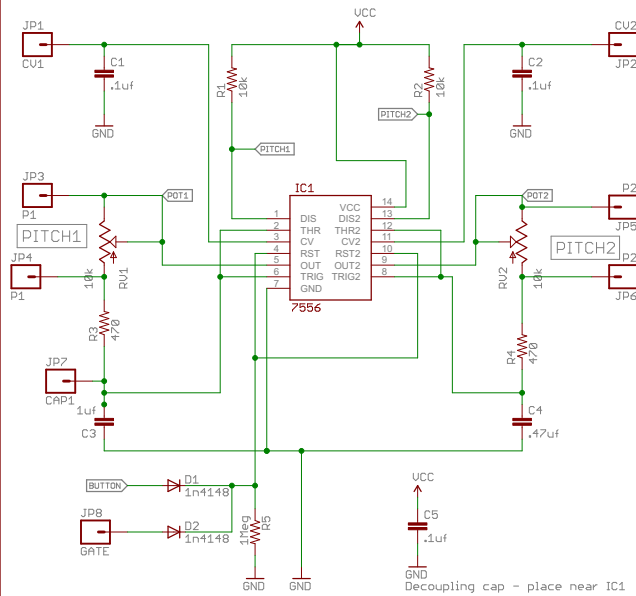
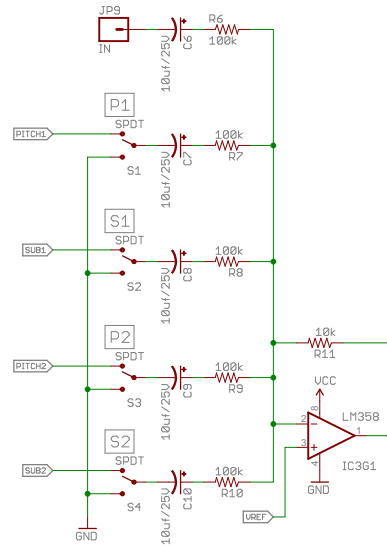


Dual Astable 555 Oscillators

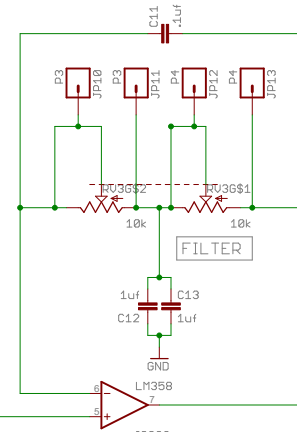


Arrow on pots is backwards - it indicates counterclockwise rotation.

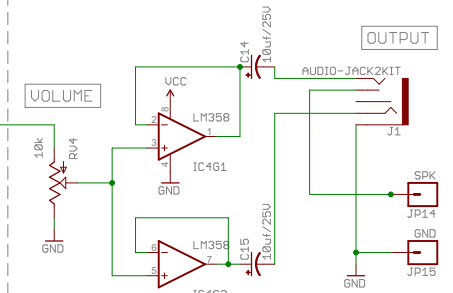
Mixer (Inverting Summer)



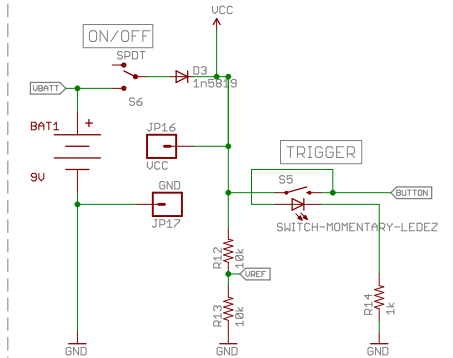
Bridged-T Filter



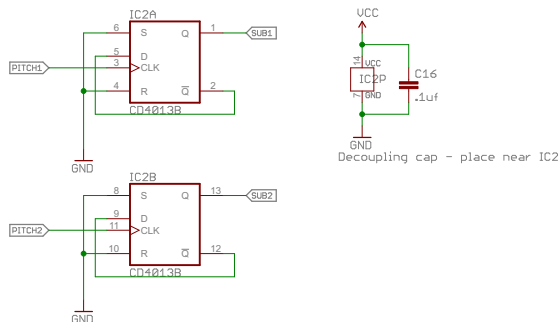
Output Amplifier



Battery, Power Switch & Trigger



Divide Frequency by 2 (Sub-octave)



Decoupling cap - place near IC2



Released under the Creative Commons Attribution Share-Alike 4.0 License https://creativecommons.org/licenses/by-sa/4.0/		
TITLE: sparkpunk-v13		
Design by: Byron Jacquot	REV: U13	
Date: 4/28/2014 2:42:46 PM	Sheet: 1/1	