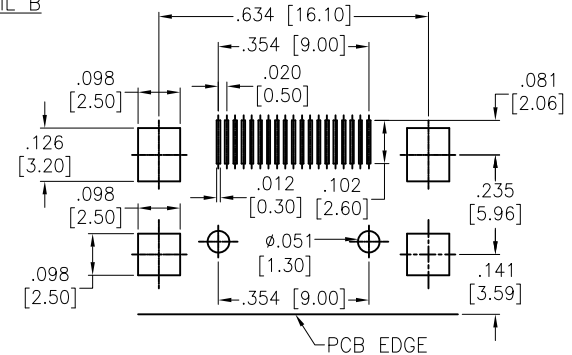
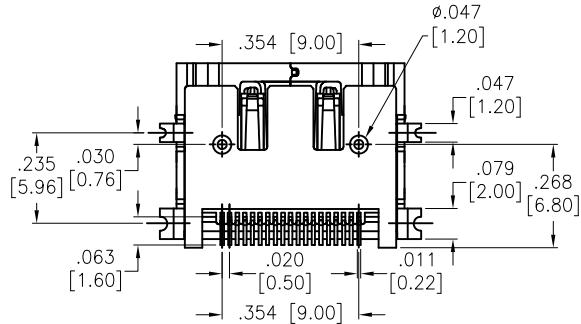
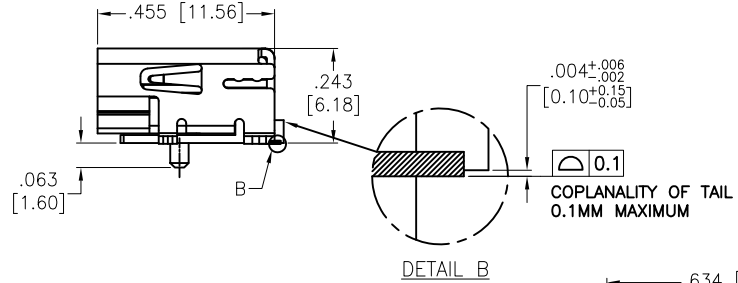
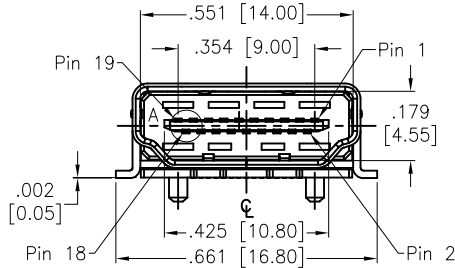
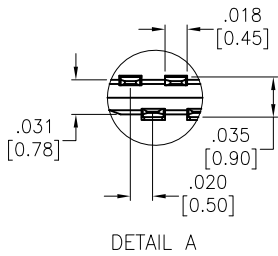
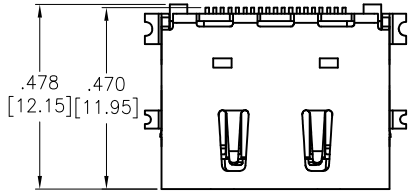


APPROVED: _____
 DATE: _____ TITLE: _____

Rev	AWO #	Description	Date	Appr
-	7155	RELEASED	10/09/06	
A		REDRAWN	11/25/11	
B		ADDED DIM.	9/6/18	AY/TY



SPECIFICATIONS:

Material:
 Insulator: Hi-Temp Thermoplastic, rated UL 94V-0
 Insulator color: Black
 Shield: Copper Alloy, Nickel Plated
 Contacts: Copper Alloy
 Plating:
 Gold Flash over Nickel underplate on contact area,
 Tin over Copper underplate on tails
 Electrical:
 Current rating: 0.5 Amps max.
 Contact resistance: 10 mohms max.
 Insulation resistance: 100 Mohms min.
 Dielectric withstanding voltage: 300 VAC for 1 minute
 Temperature Rating:
 Operating temperature: -55°C to +85°C
 Environmental:
 Lead free, RoHS compliant.



UNLESS OTHERWISE SPECIFIED
 ALL DIMENSIONS ARE INCHES [MM]
 TOLERANCES: EXCEPT AS NOTED

INCHES		HOLES	
.X	± .10	Ø.X	± .10
.XX	± .020	Ø.XX	± .015
.XXX	± .015	Ø.XXX	± .010

APPROVALS		DATE
DRAWN	BW	10/09/06
CHECKED		
APPROVED		

ADAM TECH
 INTERCONNECTS
 909 Rahway Avenue,
 Union, NJ 07083
 Phone: 908-687-5000
 Fax: 908-687-5710

TITLE			
HDMI CONNECTOR, RIGHT ANGLE, SURFACE MOUNT			
SIZE	PART NO.	REV.	
X	HDMI-S-RA-TSMT	B	
REF:	S00013T	SCALE:	NTS
		SHEET 1 OF 1	