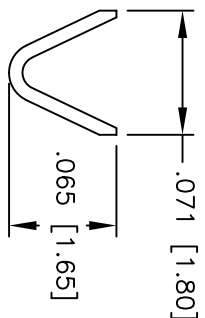
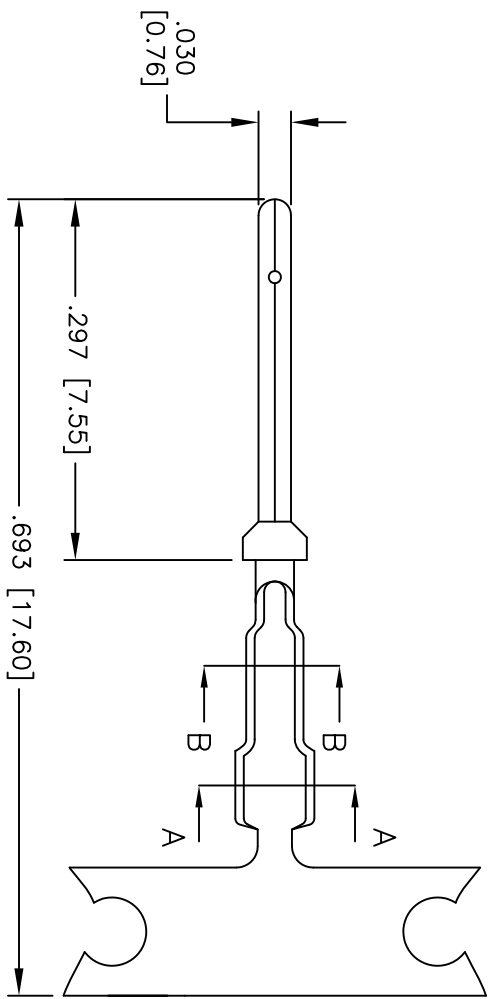
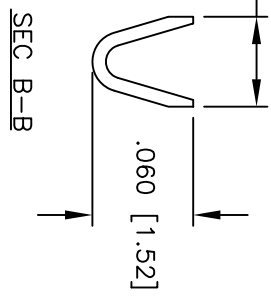
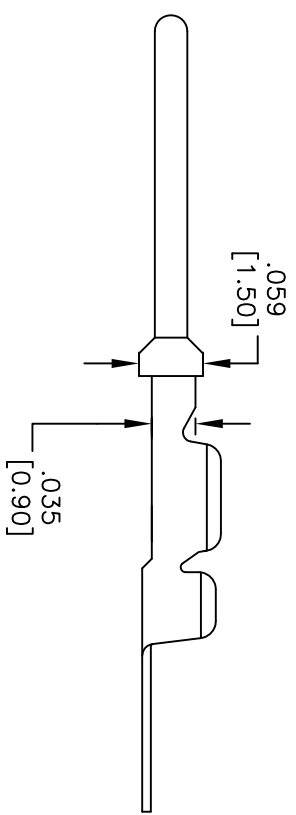


Rev	AWO #	Description	Date	Appr
-		RELEASED	1/13/05	

APPROVED: _____
 DATE: _____ TITLE: _____



SEC A-A



SEC B-B

SPECIFICATIONS:

- Material: _____
- Contact: Phosphor Bronze
- Plating: _____
- Gold flash over Nickel underplate
- Electrical: _____
- Operating voltage: 250 VAC max
- Current rating: 5 Amps max
- Contact resistance: 20 mohms max initial
- Mechanical: _____
- Recommended wire range: 24-26 AWG
- Temperature Rating: _____
- Operating temperature: -65°C to +125°C
- Environmental: _____
- Lead free, RoHS compliant



UNLESS OTHERWISE SPECIFIED ALL DIMENSIONS ARE INCHES [MM]	
TOLERANCES: EXCEPT AS NOTED	
INCHES	HOLDS
.X ± .10	ØX ± .10
.XX ± .020	ØXXX ± .015
.XXX ± .015	ØXXX ± .010
APPROVALS	DATE
DRAWN	SS
CHECKED	
APPROVED	

ADAM TECH
 909 Rahway Avenue, Union, NJ 07083
 Phone: 908-687-5000 Fax: 908-687-5710

TITLE: HIGH DENSITY D-SUB PLUG CONTACT
 24-26 AWG

SIZE	PART NO.	REV.
X	HDCP-01-R	-
REF:	SCALE: NTS	SHEET 1 OF 1