

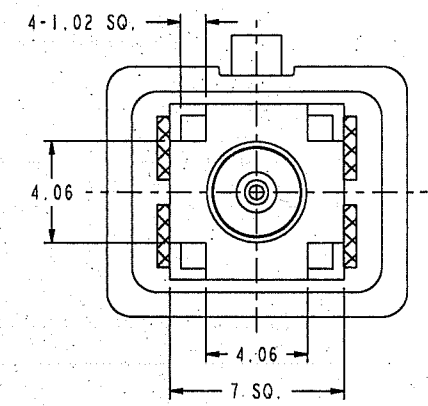
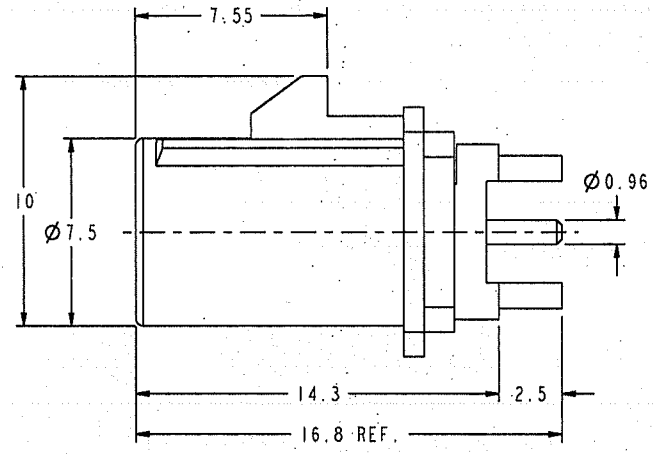
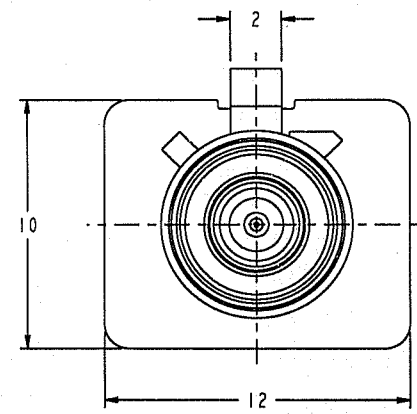
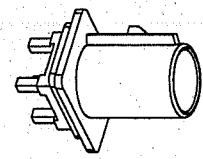
NOTES:

1. MATERIALS AND FINISHES (PLATING THICKNESS IN MICRO-INCHES):  
 BODY - BRASS, GOLD PLATING  
 CONTACT - BRASS, GOLD PLATING  
 LOCK COVER - NYLON 46  
 INSULATOR - PTFE, NATURAL
2. ELECTRICAL:  
 A. IMPEDANCE: 50 OHM  
 B. FREQUENCY RANGE: DC-4 GHz  
 C. DIELECTRIC WITHSTANDING VOLTAGE: 800 VRMS, MIN.
3. MECHANICAL:  
 A. DURABILITY: 100 CYCLES MIN.  
 B. TEMPERATURE RANGE: -40° TO +85°

THIRD ANGLE PROJ.

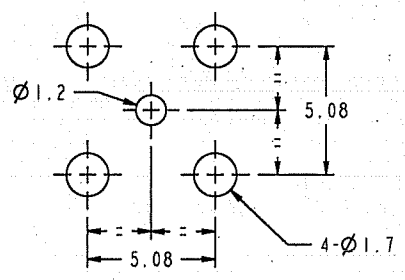
REVISIONS

REV	DESCRIPTION	DATE	ECO	APPR
B	SEE SHEET 1	01-Dec-05	-----	AFSUM
C	SEE SHEET 1	23-Nov-07	-----	EMILY
D	REDRAWN TO UPDATE FORMAT	23-Nov-07	-----	



TABLE

KEY CODING	PART NO.	DRAWING NO.	COLOR	RAL NO.
A	FAI-NASP-PCB-2	FK1251AW-002-3GT30G-50	JET BLACK	9005
B	FAI-NBSP-PCB-2	FK1251BW-002-3GT30G-50	CREAM	9001
C	FAI-NCSP-PCB-2	FK1251CW-002-3GT30G-50	SIGNAL BLUE	5005
D	FAI-NDSP-PCB-2	FK1251DW-002-3GT30G-50	CLARET VIOLET	4004
E	FAI-NESP-PCB-2	FK1251EW-002-3GT30G-50	LEAF GREEN	6002
F	FAI-NFSP-PCB-2	FK1251FW-002-3GT30G-50	NUT BROWN	8011
G	FAI-NGSP-PCB-2	FK1251GW-002-3GT30G-50	BLUE GREY	7031
H	FAI-NHSP-PCB-2	FK1251HW-002-3GT30G-50	HEATHER VIOLET	4003
I	FAI-NISP-PCB-2	FK1251IW-002-3GT30G-50	BEIGE	1001
K	FAI-NKSP-PCB-2	FK1251KW-002-3GT30G-50	CURRY	1027
L	FAI-NLSP-PCB-2	FK1251LW-002-3GT30G-50	CARMINE RED	3002
M	FAI-NMSP-PCB-2	FK1251MW-002-3GT30G-50	PASTEL ORANGE	2003
N	FAI-NNSP-PCB-2	FK1251NW-002-3GT30G-50	PASTEL GREEN	6019
Z	FAI-NZSP-PCB-2	FK1251ZW-002-3GT30G-50	WATER BLUE	5021



PCB MOUNTING HOLE

**CONFIGURATION CONTROL:**  
 NO CHANGES PERMITTED TO DRAWING WITHOUT  
 PPAP QUALIFIED CUSTOMER APPROVAL

**CUSTOMER OUTLINE DRAWING**

ALL OTHER SHEETS ARE FOR INTERNAL USE ONLY

UNLESS OTHERWISE SPECIFIED, DIMENSIONS ARE IN METRIC AND TOLERANCES ARE:  
 0.5 - 6mm ±0.1mm  
 6 - 30mm ±0.2mm  
 30 - 120mm ±0.3mm  
 ANGLES ±1°

NOTICE - These drawings, specifications, or other data (1) are, and remain the property of Amphenol Corp. (2) must be returned upon request; and (3) are confidential and not to be disclosed to any person other than those to whom they are given by Amphenol Corp. The finishing of these drawings, specifications, or other data by Amphenol Corp., or to any other person to anyone for any purpose is not to be regarded by implication or otherwise in any manner licensing, granting rights to permitting such holder or any other person to manufacture, use or sell any product, process or design, patented or otherwise, that may in any way be related to or disclosed by said drawings, specifications, or other data.

MATERIAL	DRAWN	DATE	TITLE	Amphenol RF Danbury CT USA, Tainan, Taiwan, Shenzhen, China www.amphenolrf.com
	EMILY	23-Nov-07		
REFERENCE	ENGINEER	DATE	SCALE: 1.0:1.0	DRAWING NO.
	JERRY	23-Nov-07		SHEET 2 OF 2
FINISH	APPROVED	DATE	DWG SIZE	ITEM NO.
	ANGELA	23-Nov-07	B	FK1251ACX02GESF
	CAD FILE		CODE ID	PART NO.
	I:FAKRA\FK1251XX-002-3GT30G-50		74868	FAI-NXSP-PCB-2
			REV	
			D	