



ANATECH ELECTRONICS INC
RF & Microwave Filters & Products

60 MHz LC Band Pass Filter

Part Number: AE60B11245



Electrical Specifications

Center Frequency: 60 MHz
3dBc Bandwidth: 20 MHz Max
Insertion Loss at Center: 1.25 dB Max
In/Out VSWR: 1.25:1 Max
Rejection: >35 dBc @ 30 MHz
 >35 dBc @ 110 MHz
Input Power (Max to 10K FT): 1 W Max Average
 2 W Max Peak

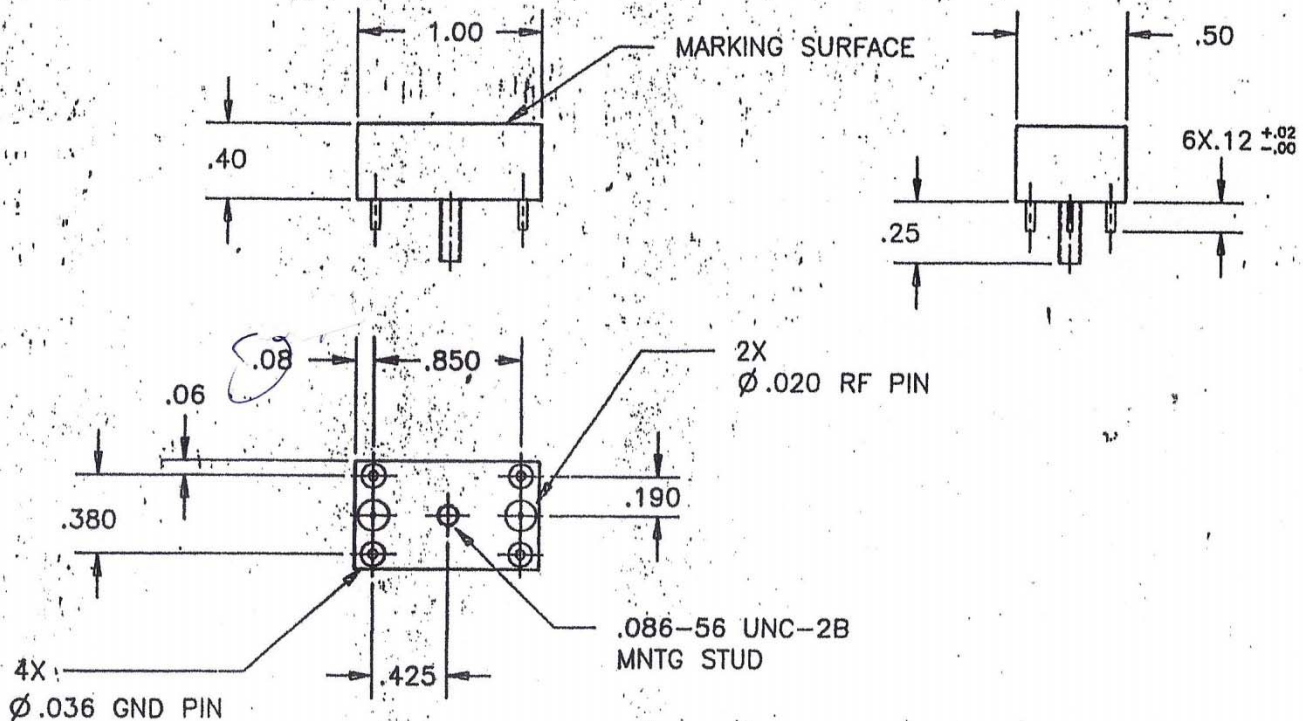
Mechanical

Connector Type: RF Pins
Dimensions: 1.0 x 0.4 x 0.5 Inches

Environmental

Operating Temperature: -40 to +85° C
Storage Temperature: -55 to +125° C
Shock: 20 G. 11 ms
Vibration: 10 G. 10 to 500 Hz
Relative Humidity: 95%

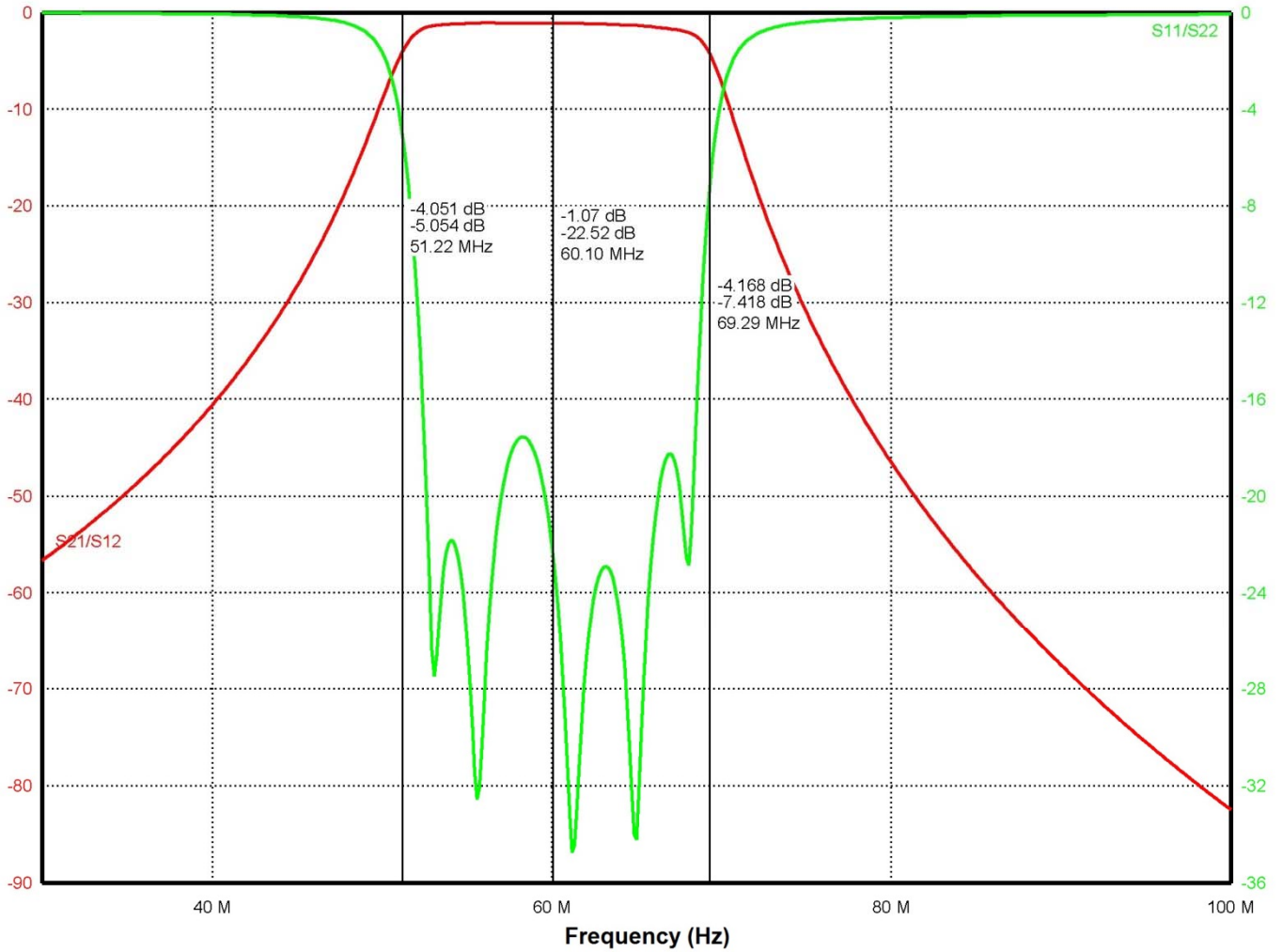
Outline Drawing:



2 decimal places: +/-0.01 inches [+/- 0.3mm]
 3 decimal places: +/- 0.005 inches [+/- 0.13mm]
 Angles: +/- 1 Deg.
 When max dimensions are called out the above tolerances do not apply as long as it is under the max call out.



Response Plot:



Note: This is a simulation plot. Actual results may differ once the product is implemented.