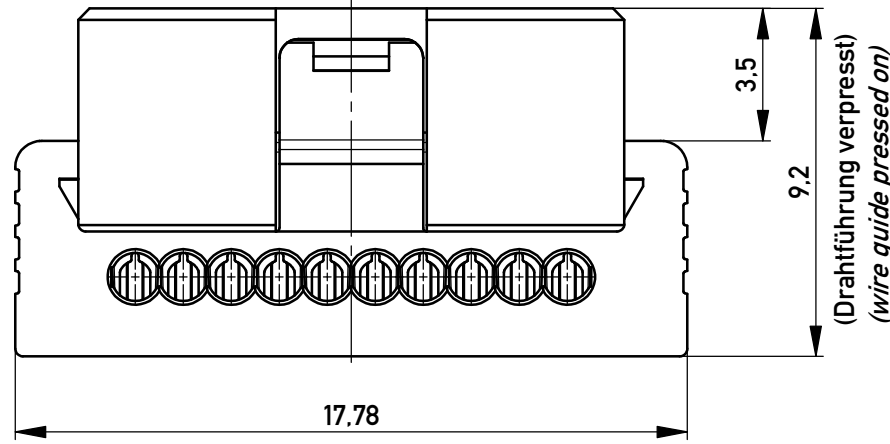
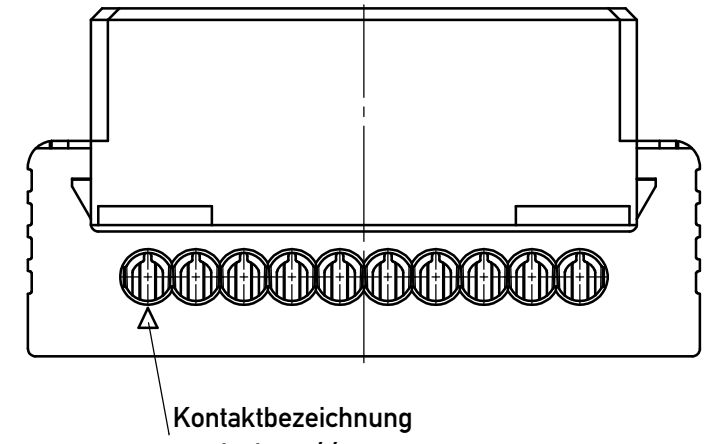
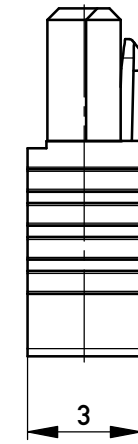


Kabelführung: rot
cable guide: red

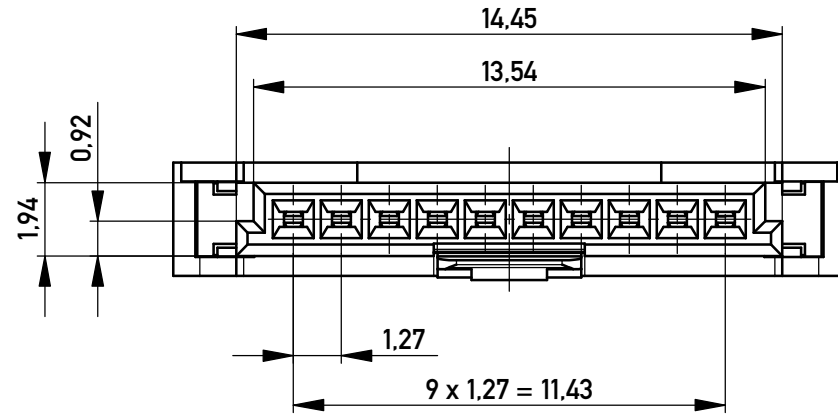
mit aufgesetzter Drahtführung
(Anlieferungszustand)
with wire guide mounted
(state at time of supply)



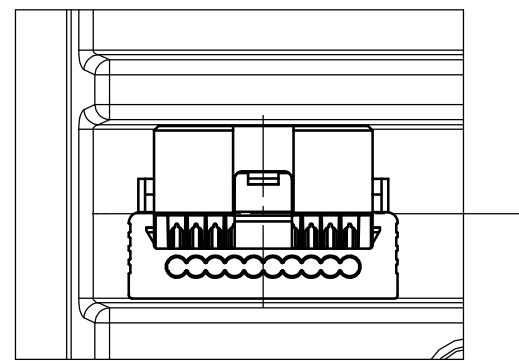
(Drahtführung verpresst)
(wire guide pressed on)



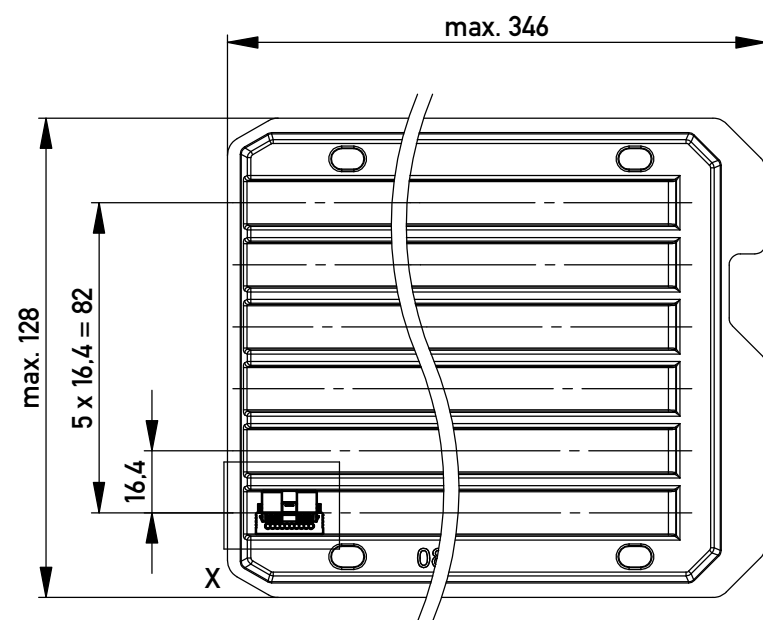
Kontaktbezeichnung
contact marking



Einzelheit X - detail X
M 2:1



Verpackt in Tray - tray packaging
Verpackungseinheit 102 Stück - packaging unit 102 pcs



* Federkontakt AWG 22 - Female Contact AWG 22
Kabelführung $\varnothing 1,27$ - cable guide $\varnothing 1,27$

nur mit Hilfsmittel lösbar
only with tool unlockable

Information:	Tolerances	 All Dimensions in mm	Scale	5:1
			Designation	
All rights reserved. Only for Information. To ensure that this is the latest version of this drawing, please contact one of the ERNI companies before using.		Subject to modification without prior notice. Drawing will not be updated.	1,27 SRC P SKV, 10-pol. d=1,27 1,27 SRC P IDC, 10-pin d=1,27	
			464237	
Index	Date	 www.ERNI.com	Class	SRCP

Copyright by ERNI GmbH
Proprietary notice pursuant to ISO 16016 to be observed.