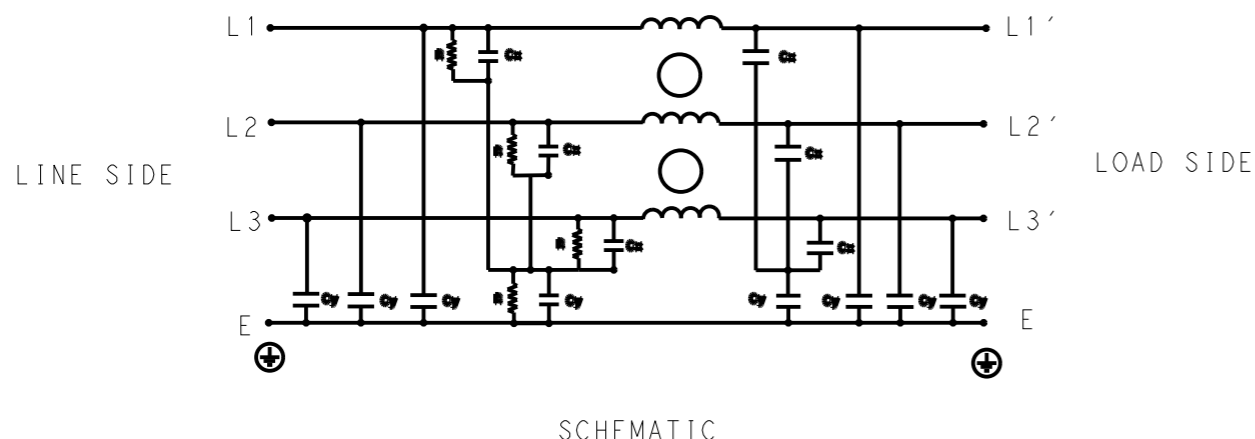


P	LTR	DESCRIPTION	DATE	DWN	APVD



SAFETY ORGANIZATIONS  
 THIS FILTER WILL BE FORMALLY RECOGNIZED, CERTIFIED OR APPROVED BY THE LISTED AGENCY. THEREFORE, ALL TEST/REQUIREMENTS SPECIFIED IN THE LATEST REVISION OF THE FOLLOWING AGENCY STANDARDS WILL BE MET:

UL APPROVED 25A 440V 50Hz/60Hz 40°C  
 CSA APPROVED 25A 440V 50Hz/60Hz 40°C

OPERATING SPECIFICATION  
 LINE CURRENT/VOLTAGE: 25A, 440VAC  
 LINE FREQUENCY: 50/60Hz

MAXIMUM LEAKAGE CURRENT: 18mA @ 230VAC, 50Hz  
 OPERATING AMBIENT TEMPERATURE RANGE @ RATED CURRENT: -25°C TO +40°C

IN AN AMBIENT, T<sub>a</sub>, HIGHER THAN 40°C, THE MAXIMUM OPERATING CURRENT, I<sub>o</sub>, IS AS FOLLOWS:

$$I_o = I_r \sqrt{\frac{85 - T_a}{45}}$$

RELIABILITY SPECIFICATIONS  
 STORAGE TEMPERATURE: -40°C TO +85°C  
 HUMIDITY: 21 DAYS @ 40°C AND 95% RH

TEST SPECIFICATIONS  
 INDUCTANCE, NOMINAL: 3.8mH

CAPACITANCE @ 1kHz  
 LINE TO GROUND, NOMINAL: 1.86µF  
 LINE TO LINE, NOMINAL: 5µF

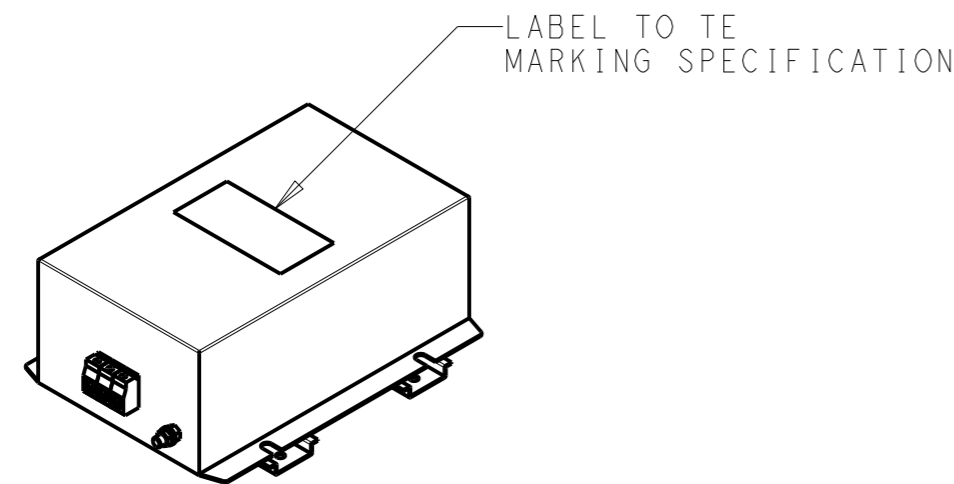
DISCHARGE RESISTOR  
 L/G I.R. 1MΩ 1W  
 L/L I.R. 2MΩ 1W  
 L/N I.R. XXX  
 N/G I.R. XXX  
 IR (NO DISCHARGE RESISTOR) 20°C, 50% RH AND 100VDC, MIN: 6MΩ

RECOMMENDED RECEIVING INSPECITON HIPOT  
 LINE TO GROUND FOR 1 MINUTE: 2632VDC  
 LINE TO LINE FOR 1 MINUTE: 1892VDC

FILTER APPROVAL  
 THE BEST WAY TO SELECT AND QUALIFY A FILTER IS FOR YOUR ENGINEERING TO TEST THE UNIT IN YOUR EQUIPMENT.

TYPICAL INSERTION LOSS  
 COMMON MODE 50/50Ω; DIFFERENTIAL MODE 50/50Ω

MHz	0.01	0.05	0.15	0.5	1	3	5	10	30
CM	54	52	50	48	46	39	34	32	24
DM	32	34	34	50	68	62	59	50	52



THIS DRAWING IS A CONTROLLED DOCUMENT.		DWN 03APR2021 BAPAT SAHAS		<b>TE</b> TE Connectivity	
DIMENSIONS: mm		CHK 03APR2021 CHRIS BOLLE			
		TOLERANCES UNLESS OTHERWISE SPECIFIED:		NAME POWER LINE FILTER FOR DIN 35 RAIL INSTALLATION 25KEMS10AFPDHM	
		0 PLC ±- 1 PLC ±0.5 2 PLC ±0.40 3 PLC ±0.130 4 PLC ±0.0500 ANGLES ±-			
MATERIAL -		FINISH -		PRODUCT SPEC - APPLICATION SPEC - WEIGHT -	
-		-		SIZE A300779 CAGE CODE C-7-1609967-8 DRAWING NO. - RESTRICTED TO -	
-		-		CUSTOMER DRAWING SCALE 1:4 SHEET 1 OF 2 REV A	

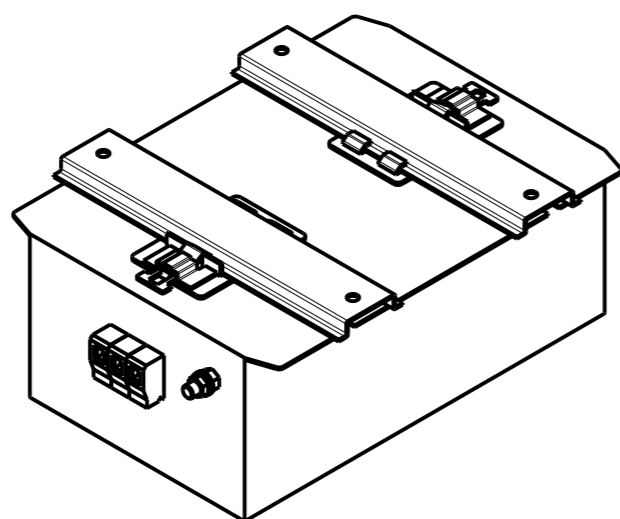
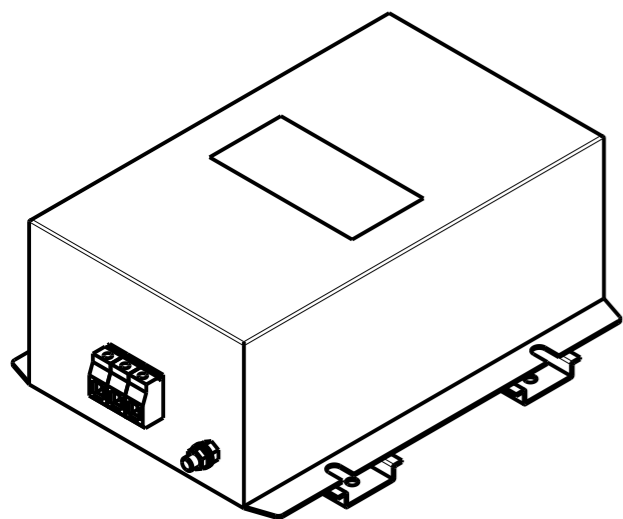
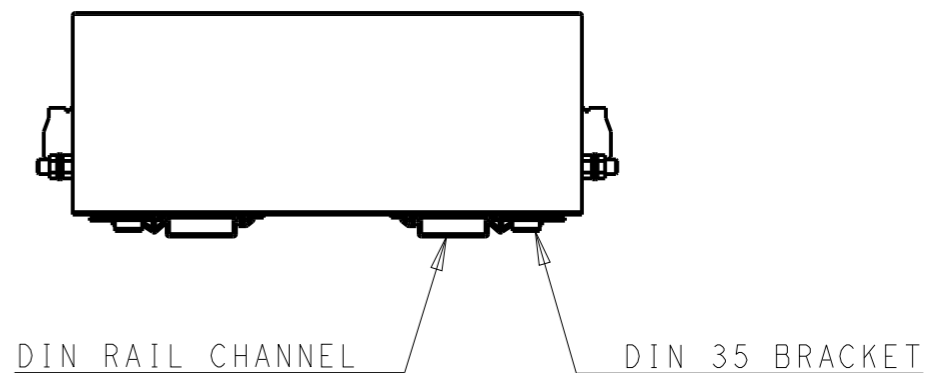
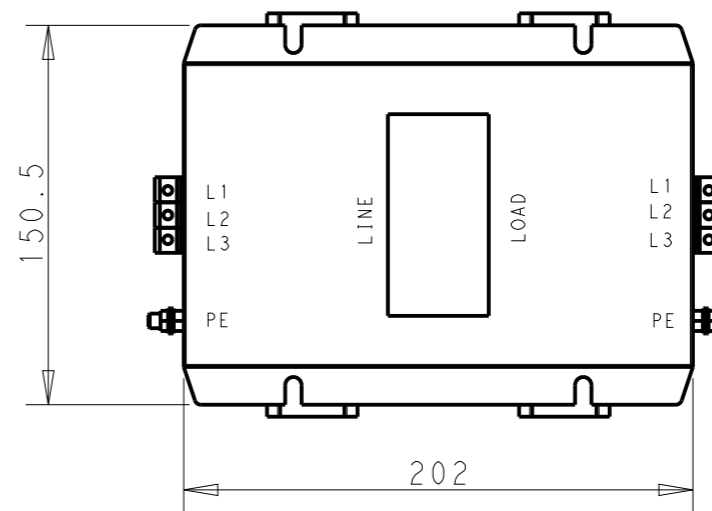
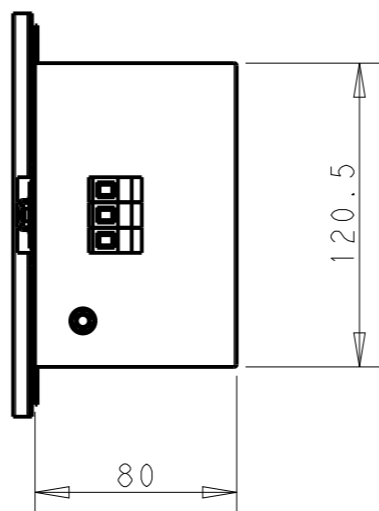
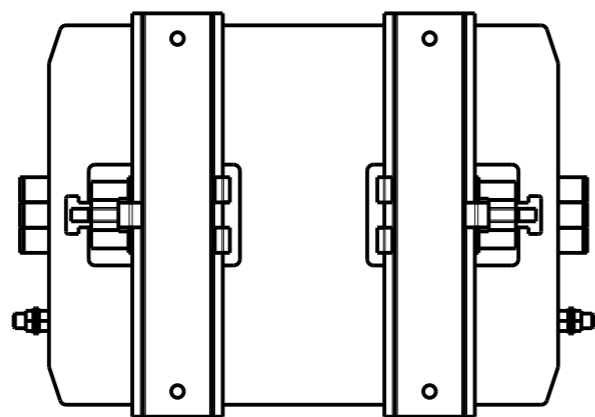
NOTE 1 GROUND CONNECTION:  
 FOR ELECTRICAL SAFETY AND FILTER PERFORMANCE  
 UNIT MUST HAVE A GOOD GROUND CONNECTION.  
 TORQUE OUTER TERMINAL SCREWS: 0.5Nm / 4.5 in.lbs  
 TORQUE GROUND NUTS: 2.5-3Nm

NOTE 2 INPUT OUTPUT CONNECTION TERMINAL  
 AWG SIZE: 26-12 AWG  
 WIRE SECTION: 4 mm<sup>2</sup>  
 THREADED BOLT SIZE FOR GROUND: M6

NOTE 3 SUPPLIED WITH DIN RAIL BRACKET

NOTE 4 DRAWINGS SHOWS DIN RAIL FOR  
 REFERENCE ONLY

REVISIONS					
P	LTR	DESCRIPTION	DATE	DWN	APVD



FRONT SIDE

REAR SIDE

THIS DRAWING IS A CONTROLLED DOCUMENT.

DIMENSIONS:	TOLERANCES UNLESS OTHERWISE SPECIFIED:
mm	0 PLC ±0.5
	1 PLC ±0.40
	2 PLC ±0.130
	3 PLC ±0.0500
	4 PLC ±
	ANGLES ±

MATERIAL	FINISH
-	-
-	-

DWN	03APR2021
BAPAT SAHAS	
CHK	03APR2021
CHRIS BOLLE	
APVD	03APR2021
CHRIS BOLLE	
PRODUCT SPEC	-
APPLICATION SPEC	-
WEIGHT	-
CUSTOMER DRAWING	

		NAME		RESTRICTED TO
		POWER LINE FILTER FOR DIN 35 RAIL INSTALLATION 25KEMS10AFPDHM		
SIZE	CAGE CODE	DRAWING NO	-	
A3	00779	C-7-1609967-8	-	
SCALE		SHEET	OF	REV
1:3		2	2	A