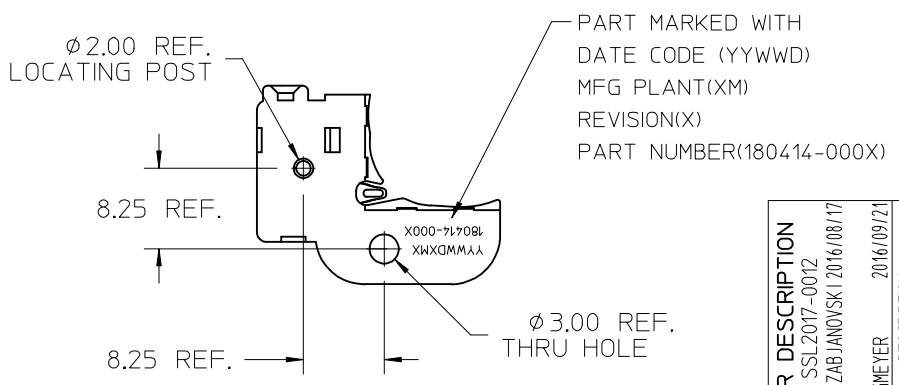
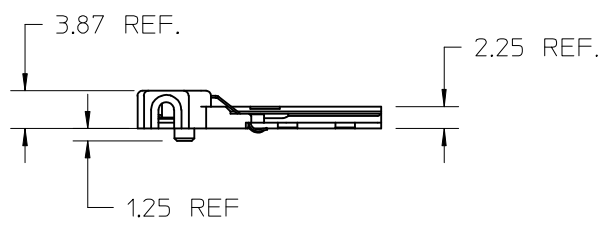
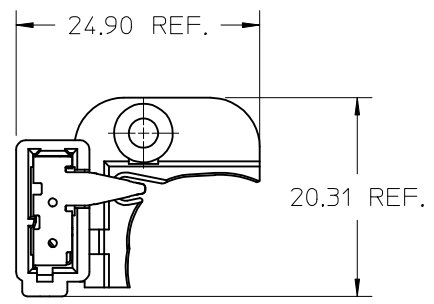


10	9	8	7	6	5	4	3	2	1
PART NUMBER	DESCRIPTION								
180414-0001	HOLDER ASSEMBLY - NO CAP								
180414-0002	HOLDER ASSEMBLY - CAP WITH TAB								
180414-0003	HOLDER ASSEMBLY - CAP WITHOUT TAB								

HOLDER ASSEMBLY - NO CAP



- NOTES:
- MATERIALS: HOUSING: POLYAMIDE (PA66), GLASS FILLED, UL94V-0, 5VA (89992-0289); CAP: POLYAMIDE (PA66) UNFILLED, UL94V-0 (89992-0922); TERMINAL: COPPER ALLOY
 - FINISHES: TERMINAL: NICKEL (Ni) UNDERPLATE 1.27 μ m, SELECT TIN (Sn) 2.54 μ m, SELECT GOLD (Au) 0.76 μ m
 - PRODUCT SPECIFICATION: PS-180412-001
 - PACKAGING SPECIFICATION: PK-180414-001
 - APPLICATION SPECIFICATION: AS-180412-001
 - FOR USE WITH: CITIZEN COB SERIES CLL020 OR CLL030 LEDS
 - HOLDER ASSEMBLY AVAILABLE WITH OPTIONAL CAP SEE CHART FOR PART NUMBERS
 - TWO HOLDER ASSEMBLIES ARE REQUIRED FOR EACH LED.
 - WIRE GAUGE: 18 OR 20 AWG, SOLID OR STRANDED WITH TIN OVERCOAT. STRIP LENGTH 1CM.
 - UL:OLFB2 UL496 FILE: E345583.
 - REFERENCE PS-180412-001 FOR RoHS REQUIREMENTS.

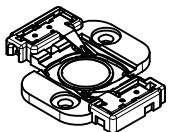
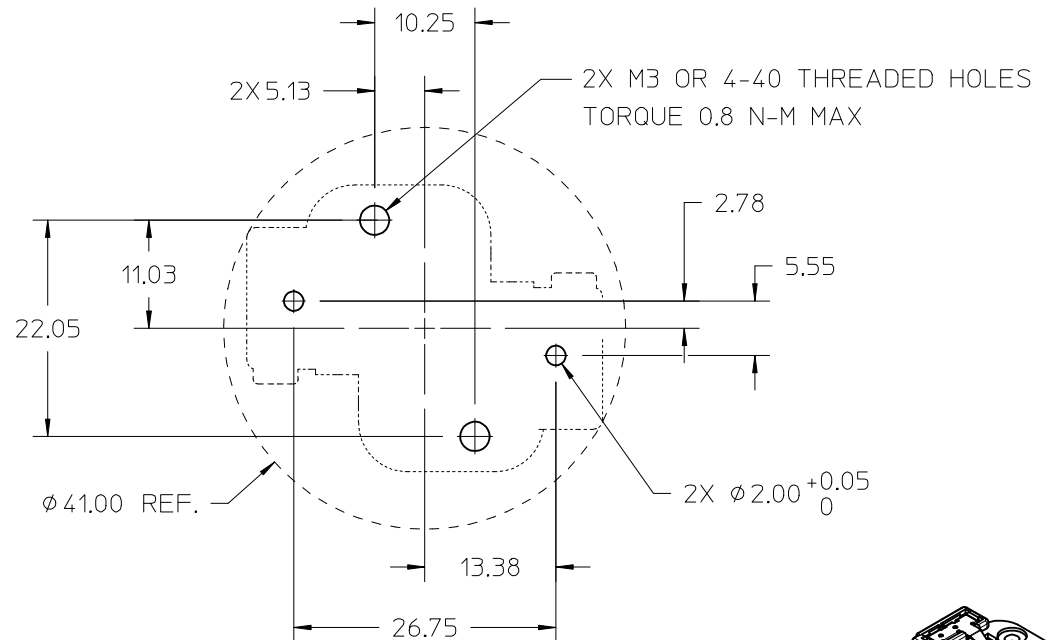
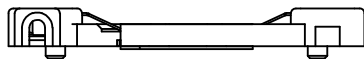
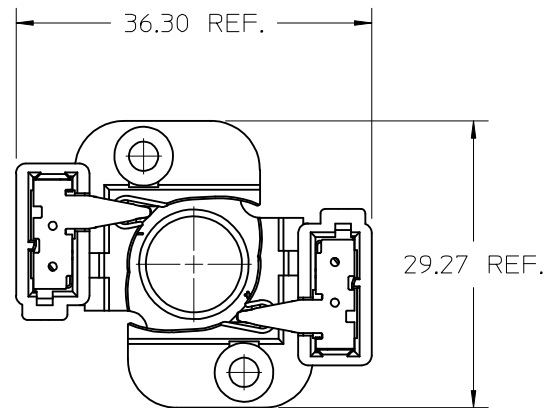


ISOMETRIC VIEW
Scale 1:1

ENTER DESCRIPTION EC NO: SSL2017-0012 DRWNLZABJANOVSKI 2016/08/17 CHKD: APPR:GMEYER 2016/09/21 REV B2	QUALITY SYMBOLS	GENERAL TOLERANCES (UNLESS SPECIFIED)	DIMENSION STYLE	SCALE	DESIGN UNITS	THIRD ANGLE PROJECTION
	∇ /=0 ∇ /=0 ∇ /=0	mm INCH 4 PLACES \pm --- \pm --- 3 PLACES \pm --- \pm --- 2 PLACES \pm 0.13 \pm --- 1 PLACE \pm 0.25 \pm --- ANGULAR \pm 1/2°	MM ONLY	2:1	METRIC	
			DRAWN BY DATE	TITLE		
			CHECKED BY DATE			
			APPROVED BY DATE			
			DMCGOWAN 2012/05/23			
			MATERIAL NO.	DOCUMENT NO.		
			SEE CHART			
			SIZE B			
			THIS DRAWING CONTAINS INFORMATION THAT IS PROPRIETARY TO MOLEX INCORPORATED AND SHOULD NOT BE USED WITHOUT WRITTEN PERMISSION			

13.5X13.5 & 19.0X19.0	
COB SERIES	
HOLDER ASSEMBLY	
MOLEX INCORPORATED	
SD-180414-001	
SHEET NO. 1 OF 5	

ILLUSTRATION OF 13.5mm X 13.5mm LED WITH TWO HOLDER ASSEMBLIES - NO CAP

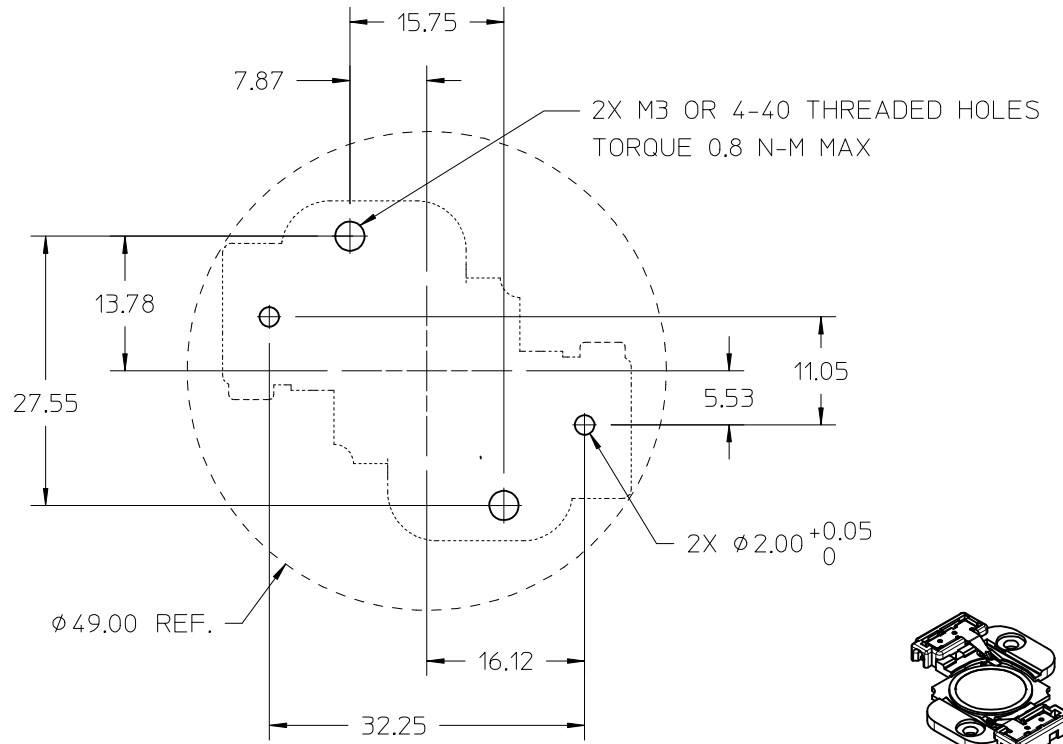
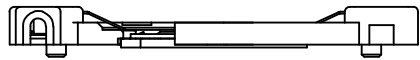
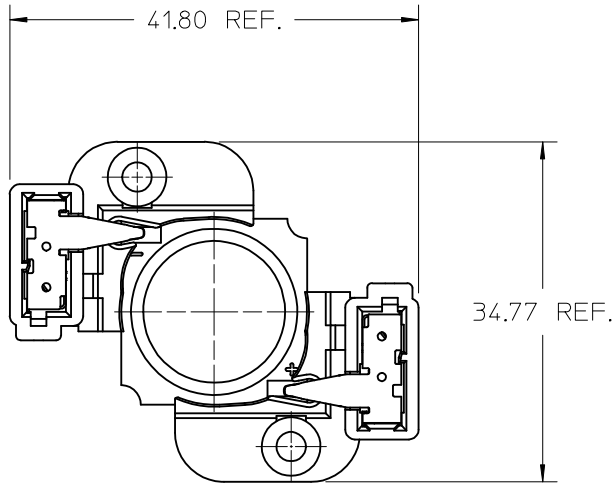


ISOMETRIC VIEW
SCALE 1:1

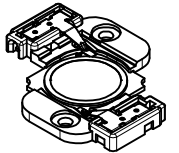
RECOMMENDED MOUNTING DIMENSIONS

ENTER DESCRIPTION EC NO: SSL2017-0012 DRWN:LZAB, JANDVSKI 2016/08/17 CHKD: APPR: GMEYER 2016/09/21	QUALITY SYMBOLS $\nabla=0$ $\nabla=0$ $\nabla=0$	GENERAL TOLERANCES (UNLESS SPECIFIED) mm INCH 4 PLACES ± --- ± --- 3 PLACES ± --- ± --- 2 PLACES ± 0.13 ± --- 1 PLACE ± 0.25 ± --- ANGULAR ± 1/2°	DIMENSION STYLE MM ONLY DRAWN BY DATE MCOLE 2012/01/30 CHECKED BY DATE MCOLE 2012/05/15 APPROVED BY DATE DMCGOWAN 2012/05/23 MATERIAL NO.	SCALE 2:1 DESIGN UNITS METRIC THIRD ANGLE PROJECTION	TITLE 13.5X13.5 & 19.0X19.0 COB SERIES HOLDER ASSEMBLY MOLEX INCORPORATED DOCUMENT NO.	SHEET NO. 2 OF 5	
	DRAFT WHERE APPLICABLE MUST REMAIN WITHIN DIMENSIONS		SEE CHART	SD-180414-001	THIS DRAWING CONTAINS INFORMATION THAT IS PROPRIETARY TO MOLEX INCORPORATED AND SHOULD NOT BE USED WITHOUT WRITTEN PERMISSION		
	B2	REV	6	5	4	3	2
	10	9	8	7	6	5	4

ILLUSTRATION OF 19.0mm X 19.0mm LED WITH TWO HOLDER ASSEMBLIES - NO CAP



RECOMMENDED MOUNTING DIMENSIONS

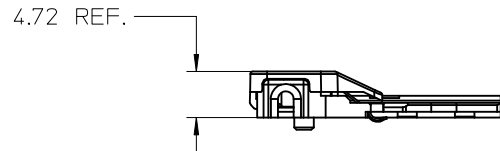
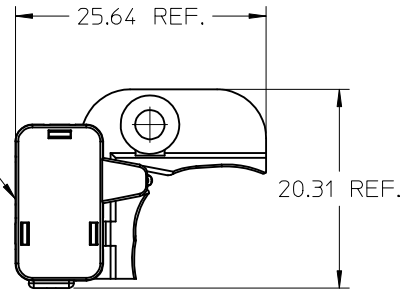


ISOMETRIC VIEW
SCALE 1:1

ENTER DESCRIPTION ELC NO: SSL2017-0012 DRWNL: ZABJANOVSKI 2016/08/17 CHKD: APPR: GMEYER 2016/09/21 B2	QUALITY SYMBOLS $\nabla=0$ $\nabla=0$ $\nabla=0$	GENERAL TOLERANCES (UNLESS SPECIFIED) mm INCH 4 PLACES \pm --- \pm --- 3 PLACES \pm --- \pm --- 2 PLACES ± 0.13 \pm --- 1 PLACE ± 0.25 \pm --- ANGULAR $\pm 1/2^\circ$	DIMENSION STYLE MM ONLY DRAWN BY DATE MCOLE 2012/01/30 CHECKED BY DATE MCOLE 2012/05/15 APPROVED BY DATE DMCGOWAN 2012/05/23	SCALE 2:1 DESIGN UNITS METRIC THIRD ANGLE PROJECTION	TITLE 13.5X13.5 & 19.0X19.0 COB SERIES HOLDER ASSEMBLY	MOLEX INCORPORATED	DOCUMENT NO. SD-180414-001	SHEET NO. 3 OF 5
	DRAFT WHERE APPLICABLE MUST REMAIN WITHIN DIMENSIONS		SEE CHART	THIS DRAWING CONTAINS INFORMATION THAT IS PROPRIETARY TO MOLEX INCORPORATED AND SHOULD NOT BE USED WITHOUT WRITTEN PERMISSION				

HOLDER ASSEMBLY - CAP WITH TAB

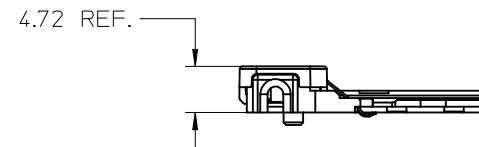
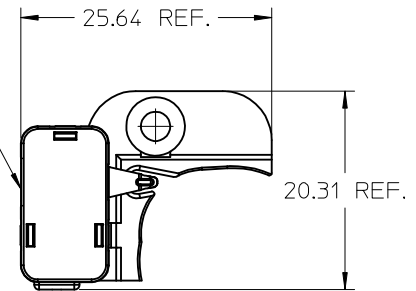
CAP WITH TAB
P/N 180417-0001
(SEE NOTE 7)



ISOMETRIC VIEW
SCALE 1:1

HOLDER ASSEMBLY - CAP WITHOUT TAB

CAP WITHOUT TAB
P/N 180417-0002
(SEE NOTE 7)

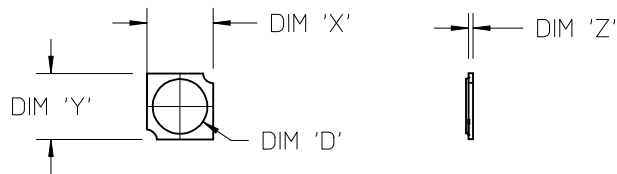


ISOMETRIC VIEW
SCALE 1:1

ENTER DESCRIPTION EC NO: SSL2017-0012 DRWNL:ZAB,JANOVSKI 2016/08/17 CHKD: APPR:GMEYER 2016/09/21	QUALITY SYMBOLS ▽=0 ▽=0 ▽=0	GENERAL TOLERANCES (UNLESS SPECIFIED)		DIMENSION STYLE MM ONLY		SCALE 2:1	DESIGN UNITS METRIC	THIRD ANGLE PROJECTION																				
		<table border="1"> <thead> <tr> <th></th> <th>mm</th> <th>INCH</th> </tr> </thead> <tbody> <tr> <td>4 PLACES</td> <td>± ---</td> <td>± ---</td> </tr> <tr> <td>3 PLACES</td> <td>± ---</td> <td>± ---</td> </tr> <tr> <td>2 PLACES</td> <td>± 0.13</td> <td>± ---</td> </tr> <tr> <td>1 PLACE</td> <td>± 0.25</td> <td>± ---</td> </tr> <tr> <td>0 PLACE</td> <td>± ---</td> <td>± ---</td> </tr> </tbody> </table>			mm	INCH	4 PLACES	± ---	± ---	3 PLACES	± ---	± ---	2 PLACES	± 0.13	± ---	1 PLACE	± 0.25	± ---	0 PLACE	± ---	± ---	DRAWN BY MCOLE		DATE 2012/01/30	TITLE 13.5X13.5 & 19.0X19.0 COB SERIES HOLDER ASSEMBLY			
			mm	INCH																								
		4 PLACES	± ---	± ---																								
3 PLACES	± ---	± ---																										
2 PLACES	± 0.13	± ---																										
1 PLACE	± 0.25	± ---																										
0 PLACE	± ---	± ---																										
ANGULAR ±1/2°		CHECKED BY MCOLE		DATE 2012/05/15																								
DRAFT WHERE APPLICABLE MUST REMAIN WITHIN DIMENSIONS		MATERIAL NO.		APPROVED BY DMCGOWAN		DATE 2012/05/23	DOCUMENT NO. SD-180414-001		SHEET NO. 4 OF 5																			
B2		SIZE B		THIS DRAWING CONTAINS INFORMATION THAT IS PROPRIETARY TO MOLEX INCORPORATED AND SHOULD NOT BE USED WITHOUT WRITTEN PERMISSION																								

10	9	8	7	6	
COB MFG	TYPE	DIM 'X'	DIM 'Y'	DIM 'Z'	DIM 'D'
CITIZEN	CLL020, CLL022, CLU024, CLU026, CLU028	13.5	13.5	0.90	11.2
CITIZEN	CLU025, CLU027	13.5	13.5	0.90	7.4
CITIZEN	CLU700, CLU701	13.5	13.5	0.90	7.8
SEOUL	ZC6	13.5	13.5	0.90	10.0
TRIDONIC	SLE G5 LES10	13.5	13.5	0.90	9.4
EVERLIGHT	EAHP1313WA*, EAHP1313WB*, EAHP1313WC*	13.5	13.5	0.90	10.8
EVERLIGHT	EA1313 36V/3W	13.5	13.5	0.90	10.8
EVERLIGHT	EA1313 36V/6W	13.5	13.5	0.90	10.8
EVERLIGHT	EA1313 36V/10W	13.5	13.5	0.90	10.8
EVERLIGHT	EA1313 36V/13W	13.5	13.5	0.90	10.8
VOSSLOH-SCHWABE	DMC122C	13.5	13.5	1.00	10.0

5	4	3	2	1	
COB MFG	TYPE	DIM 'X'	DIM 'Y'	DIM 'Z'	DIM 'D'
CITIZEN	CLL030, CLL032, CLU034, CLU036, CLU038	19.0	19.0	0.90	17.0
CITIZEN	CLU720, CLU721	19.0	19.0	0.90	13.5
SEOUL	ZC12, ZC18	19.0	19.0	0.90	16.0
TRIDONIC	SLE G5 LES15	19.0	19.0	0.90	15.0
EVERLIGHT	EAHP1919WA*, EAHP1919WB*, EAHP1919WC*	19.0	19.0	0.90	15.5
EVERLIGHT	EA1919 36V/16W	19.0	19.0	0.90	15.5
EVERLIGHT	EA1919 36V/19W	19.0	19.0	0.90	15.5
EVERLIGHT	EA1919 36V/26W	19.0	19.0	0.90	15.5
VOSSLOH-SCHWABE	DMC114C	19.0	19.0	1.00	11.9
VOSSLOH-SCHWABE	DMC124***F, DMC125***F	19.0	19.0	1.00	13.1
VOSSLOH-SCHWABE	DMC125C	19.0	19.0	1.00	13.1
VOSSLOH-SCHWABE	DMC128***F	19.0	19.0	1.00	15.8
BRIDGELUX	H15	19.0	19.0	1.10	16.5

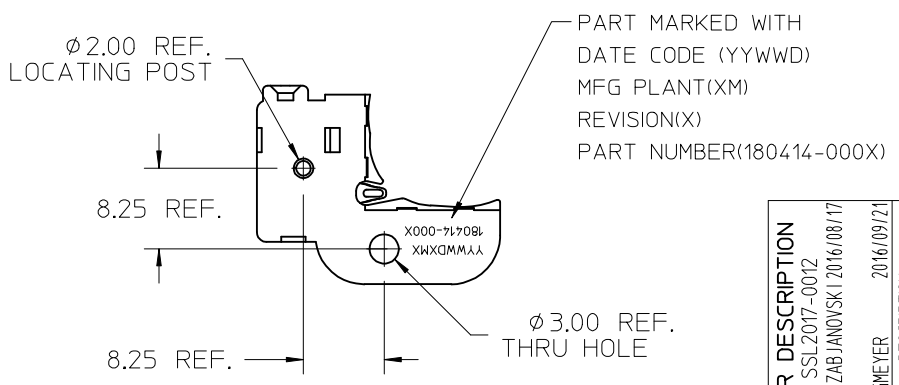
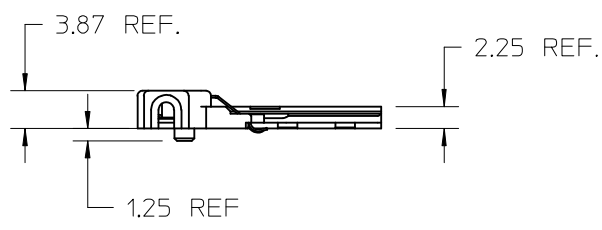
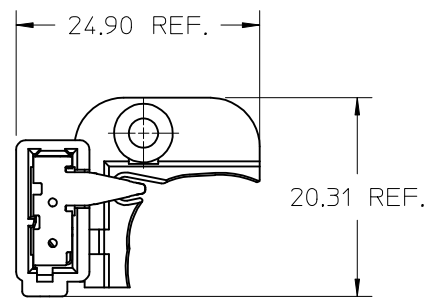


COB LED

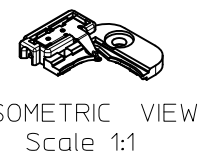
ENTER DESCRIPTION EC NO: SSL2017-0012 *DRAWN: ZABJANOVSKI 2016/08/17 CHKD: APPR: GMEYER 2016/09/21 B2	QUALITY SYMBOLS =0 =0	GENERAL TOLERANCES (UNLESS SPECIFIED) <table border="1"> <thead> <tr> <th></th> <th>mm</th> <th>INCH</th> </tr> </thead> <tbody> <tr> <td>4 PLACES</td> <td>± ---</td> <td>± ---</td> </tr> <tr> <td>3 PLACES</td> <td>± ---</td> <td>± ---</td> </tr> <tr> <td>2 PLACES</td> <td>± 0.13</td> <td>± ---</td> </tr> <tr> <td>1 PLACE</td> <td>± 0.25</td> <td>± ---</td> </tr> <tr> <td>0 PLACE</td> <td>± ---</td> <td>± ---</td> </tr> </tbody> </table>		mm	INCH	4 PLACES	± ---	± ---	3 PLACES	± ---	± ---	2 PLACES	± 0.13	± ---	1 PLACE	± 0.25	± ---	0 PLACE	± ---	± ---	DIMENSION STYLE MM ONLY	SCALE 1:1	DESIGN UNITS METRIC	THIRD ANGLE PROJECTION
		mm	INCH																					
	4 PLACES	± ---	± ---																					
	3 PLACES	± ---	± ---																					
	2 PLACES	± 0.13	± ---																					
1 PLACE	± 0.25	± ---																						
0 PLACE	± ---	± ---																						
		<table border="1"> <thead> <tr> <th>DRAWN BY</th> <th>DATE</th> <th>TITLE</th> </tr> </thead> <tbody> <tr> <td>MCOLE</td> <td>2012/01/30</td> <td rowspan="2">13.5X13.5 & 19.0X19.0 COB SERIES HOLDER ASSEMBLY</td> </tr> <tr> <td>MCOLE</td> <td>2012/05/15</td> </tr> <tr> <td>APPROVED BY <th>DATE</th> <td></td> </td></tr> <tr> <td>DMCGOWAN</td> <td>2012/05/23</td> <td></td> </tr> </tbody> </table>	DRAWN BY	DATE	TITLE	MCOLE	2012/01/30	13.5X13.5 & 19.0X19.0 COB SERIES HOLDER ASSEMBLY	MCOLE	2012/05/15	APPROVED BY <th>DATE</th> <td></td>	DATE		DMCGOWAN	2012/05/23				SHEET NO. 5 OF 5					
DRAWN BY	DATE	TITLE																						
MCOLE	2012/01/30	13.5X13.5 & 19.0X19.0 COB SERIES HOLDER ASSEMBLY																						
MCOLE	2012/05/15																							
APPROVED BY <th>DATE</th> <td></td>	DATE																							
DMCGOWAN	2012/05/23																							
DRAFT WHERE APPLICABLE MUST REMAIN WITHIN DIMENSIONS		SEE CHART	DOCUMENT NO. SD-180414-001																					
		SIZE B	THIS DRAWING CONTAINS INFORMATION THAT IS PROPRIETARY TO MOLEX INCORPORATED AND SHOULD NOT BE USED WITHOUT WRITTEN PERMISSION																					

10	9	8	7	6	5	4	3	2	1
PART NUMBER	DESCRIPTION								
180414-0001	HOLDER ASSEMBLY - NO CAP								
180414-0002	HOLDER ASSEMBLY - CAP WITH TAB								
180414-0003	HOLDER ASSEMBLY - CAP WITHOUT TAB								

HOLDER ASSEMBLY - NO CAP

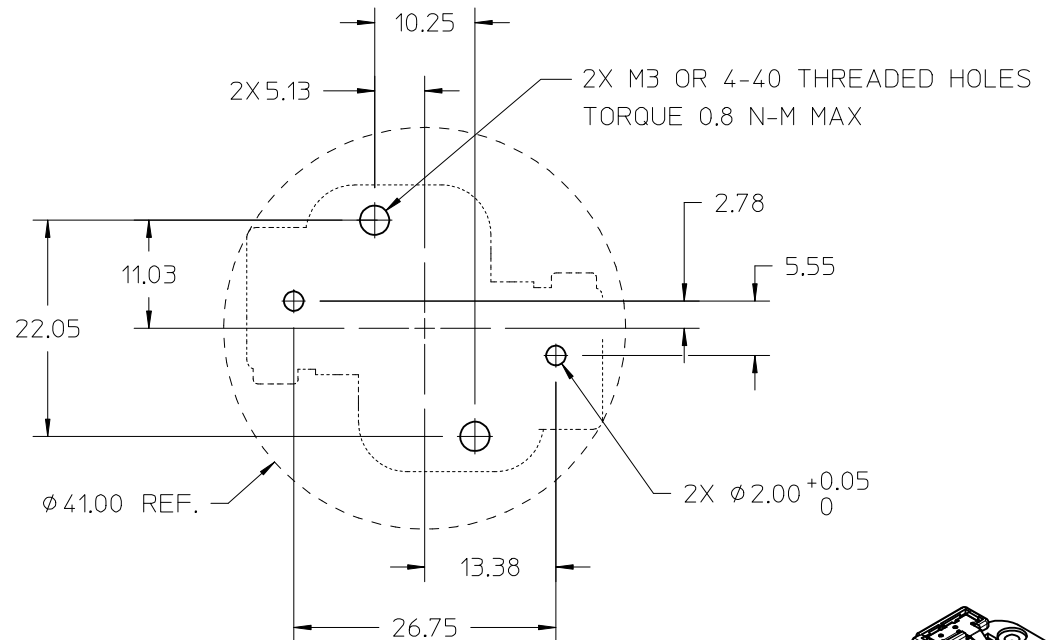
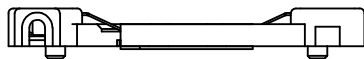
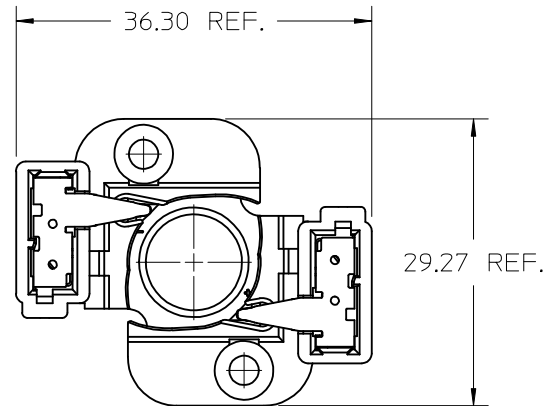


- NOTES:
1. MATERIALS: HOUSING: POLYAMIDE (PA66), GLASS FILLED, UL94V-0, 5VA (89992-0289); CAP: POLYAMIDE (PA66) UNFILLED, UL94V-0 (89992-0922); TERMINAL: COPPER ALLOY
 2. FINISHES: TERMINAL: NICKEL (Ni) UNDERPLATE 1.27 μ m, SELECT TIN (Sn) 2.54 μ m, SELECT GOLD (Au) 0.76 μ m
 3. PRODUCT SPECIFICATION: PS-180412-001
 4. PACKAGING SPECIFICATION: PK-180414-001
 5. APPLICATION SPECIFICATION: AS-180412-001
 6. FOR USE WITH: CITIZEN COB SERIES CLL020 OR CLL030 LEDS
 7. HOLDER ASSEMBLY AVAILABLE WITH OPTIONAL CAP SEE CHART FOR PART NUMBERS
 8. TWO HOLDER ASSEMBLIES ARE REQUIRED FOR EACH LED.
 9. WIRE GAUGE: 18 OR 20 AWG, SOLID OR STRANDED WITH TIN OVERCOAT. STRIP LENGTH 1CM.
 10. UL:OLFB2 UL496 FILE: E345583.
 11. REFERENCE PS-180412-001 FOR RoHS REQUIREMENTS.

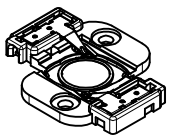


ENTER DESCRIPTION EC NO: SSL2017-0012 DRWNLZABJANOVSKI 2016/08/17 CHKD: APPR:GMEYER 2016/09/21 REV B2	QUALITY SYMBOLS ∇ /=0 ∇ /=0 ∇ /=0	GENERAL TOLERANCES (UNLESS SPECIFIED) <table border="1"> <thead> <tr> <th></th> <th>mm</th> <th>INCH</th> </tr> </thead> <tbody> <tr> <td>4 PLACES</td> <td>±---</td> <td>±---</td> </tr> <tr> <td>3 PLACES</td> <td>±---</td> <td>±---</td> </tr> <tr> <td>2 PLACES</td> <td>±0.13</td> <td>±---</td> </tr> <tr> <td>1 PLACE</td> <td>±0.25</td> <td>±---</td> </tr> </tbody> </table>		mm	INCH	4 PLACES	±---	±---	3 PLACES	±---	±---	2 PLACES	±0.13	±---	1 PLACE	±0.25	±---	DIMENSION STYLE MM ONLY DRAWN BY DATE MCOLE 2012/01/30 CHECKED BY DATE MCOLE 2012/05/15 APPROVED BY DATE DMCGOWAN 2012/05/23 MATERIAL NO.	SCALE 2:1 DESIGN UNITS METRIC THIRD ANGLE PROJECTION	TITLE 13.5X13.5 & 19.0X19.0 COB SERIES HOLDER ASSEMBLY MOLEX INCORPORATED DOCUMENT NO. SD-180414-001 SHEET NO. 1 OF 5
		mm	INCH																	
	4 PLACES	±---	±---																	
	3 PLACES	±---	±---																	
2 PLACES	±0.13	±---																		
1 PLACE	±0.25	±---																		
DRAFT WHERE APPLICABLE MUST REMAIN WITHIN DIMENSIONS		SEE CHART	THIS DRAWING CONTAINS INFORMATION THAT IS PROPRIETARY TO MOLEX INCORPORATED AND SHOULD NOT BE USED WITHOUT WRITTEN PERMISSION																	

ILLUSTRATION OF 13.5mm X 13.5mm LED WITH TWO HOLDER ASSEMBLIES - NO CAP



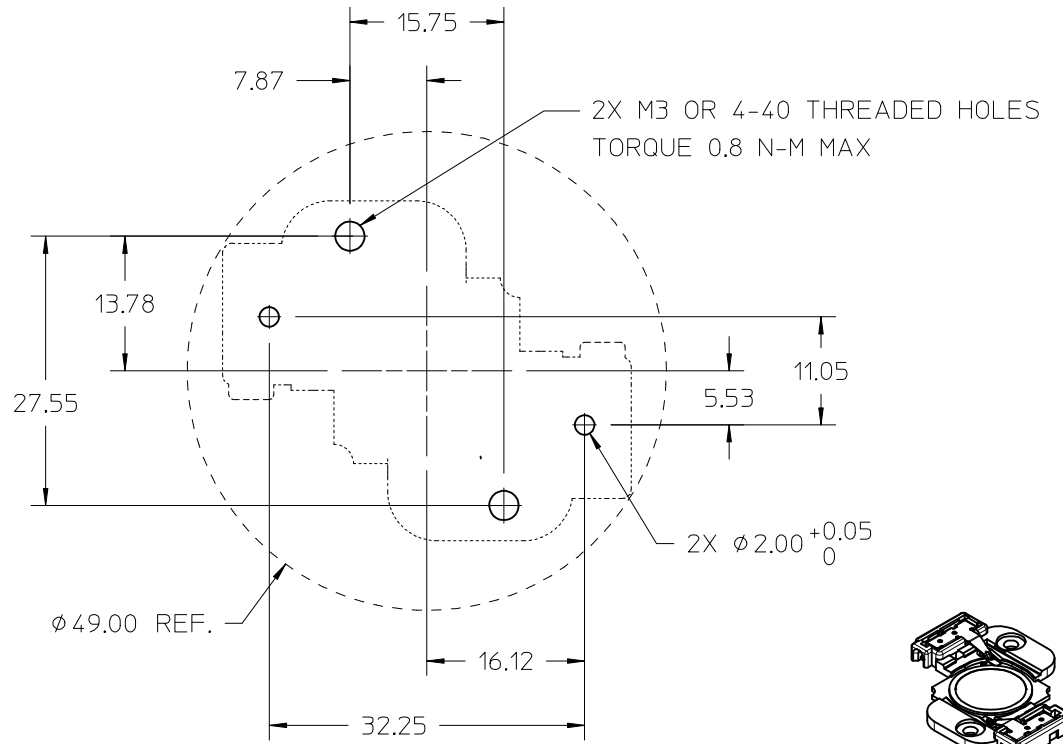
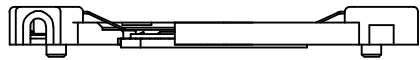
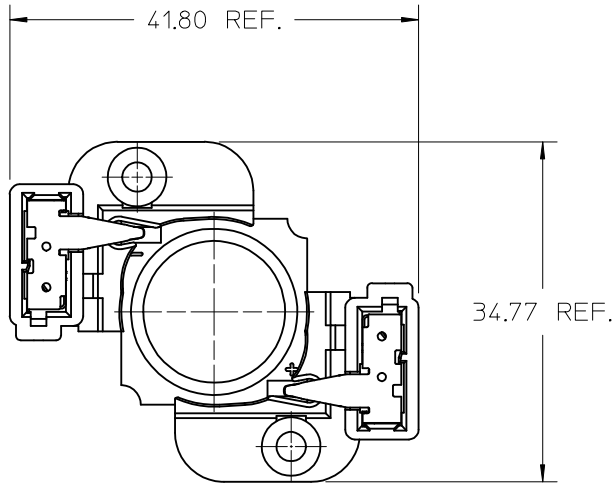
RECOMMENDED MOUNTING DIMENSIONS



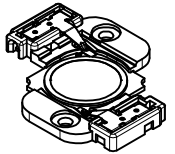
ISOMETRIC VIEW
SCALE 1:1

ENTER DESCRIPTION EC NO: SSL2017-0012 DRWN: L.ZAB.JANOVSKI 2016/08/17 CHKD: APPR: GMEYER 2016/09/21	QUALITY SYMBOLS	GENERAL TOLERANCES (UNLESS SPECIFIED)		DIMENSION STYLE MM ONLY		SCALE 2:1	DESIGN UNITS METRIC	THIRD ANGLE PROJECTION	
	$\nabla = 0$	mm	INCH	DRAWN BY	DATE	TITLE			
	$\nabla = 0$	4 PLACES ± ---	± ---	MCOLE	2012/01/30	13.5X13.5 & 19.0X19.0 COB SERIES HOLDER ASSEMBLY			
	$\nabla = 0$	3 PLACES ± ---	± ---	CHECKED BY	DATE				
$\nabla = 0$	2 PLACES ± 0.13	± ---	MCOLE	2012/05/15	MOLEX INCORPORATED				
$\nabla = 0$	1 PLACE ± 0.25	± ---	APPROVED BY	DATE					
		ANGULAR ± 1/2°		DMCGOWAN	2012/05/23	DOCUMENT NO.		SHEET NO.	
		DRAFT WHERE APPLICABLE MUST REMAIN WITHIN DIMENSIONS		SEE CHART		SD-180414-001		2 OF 5	
B2	REV	THIS DRAWING CONTAINS INFORMATION THAT IS PROPRIETARY TO MOLEX INCORPORATED AND SHOULD NOT BE USED WITHOUT WRITTEN PERMISSION							

ILLUSTRATION OF 19.0mm X 19.0mm LED WITH TWO HOLDER ASSEMBLIES - NO CAP



RECOMMENDED MOUNTING DIMENSIONS

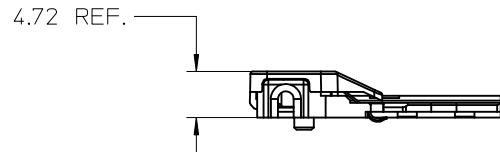
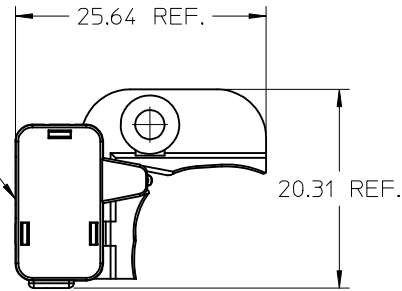


ISOMETRIC VIEW
SCALE 1:1

ENTER DESCRIPTION ELC NO: SSL2017-0012 DRWNL: ZABJANOVSKI 2016/08/17 CHKD: APPR: GMEYER 2016/09/21 B2	QUALITY SYMBOLS	GENERAL TOLERANCES (UNLESS SPECIFIED)	DIMENSION STYLE MM ONLY	SCALE 2:1	DESIGN UNITS METRIC	THIRD ANGLE PROJECTION
	$\nabla = 0$	4 PLACES \pm --- \pm ---	mm INCH	DRAWN BY DATE MCOLE 2012/01/30	TITLE 13.5X13.5 & 19.0X19.0 COB SERIES HOLDER ASSEMBLY	MOLEX INCORPORATED
	$\nabla = 0$	3 PLACES \pm --- \pm ---		CHECKED BY DATE MCOLE 2012/05/15		
	$\nabla = 0$	2 PLACES ± 0.13 \pm ---	ANGULAR $\pm 1/2^\circ$	APPROVED BY DATE DMCGOWAN 2012/05/23	DOCUMENT NO. SD-180414-001	SHEET NO. 3 OF 5
		1 PLACE ± 0.25 \pm ---	DRAFT WHERE APPLICABLE MUST REMAIN WITHIN DIMENSIONS	MATERIAL NO. SEE CHART		
			SIZE B	THIS DRAWING CONTAINS INFORMATION THAT IS PROPRIETARY TO MOLEX INCORPORATED AND SHOULD NOT BE USED WITHOUT WRITTEN PERMISSION		

HOLDER ASSEMBLY - CAP WITH TAB

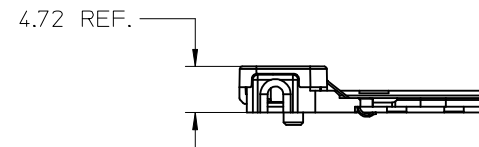
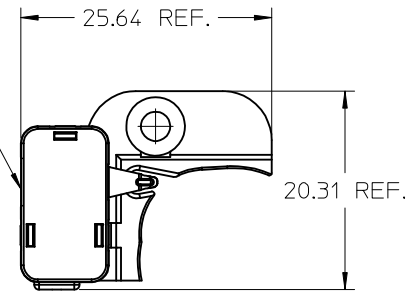
CAP WITH TAB
P/N 180417-0001
(SEE NOTE 7)



ISOMETRIC VIEW
SCALE 1:1

HOLDER ASSEMBLY - CAP WITHOUT TAB

CAP WITHOUT TAB
P/N 180417-0002
(SEE NOTE 7)

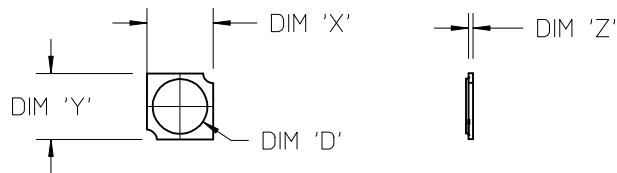


ISOMETRIC VIEW
SCALE 1:1

ENTER DESCRIPTION EC NO: SSL2017-0012 DRWNL:ZAB,JANOVSKI 2016/08/17 CHKD: APPR:GMEYER 2016/09/21	QUALITY SYMBOLS ▽/0 ▽/0 ▽/0	GENERAL TOLERANCES (UNLESS SPECIFIED)		DIMENSION STYLE MM ONLY		SCALE 2:1	DESIGN UNITS METRIC	THIRD ANGLE PROJECTION																				
		<table border="1"> <thead> <tr> <th></th> <th>mm</th> <th>INCH</th> </tr> </thead> <tbody> <tr> <td>4 PLACES</td> <td>± ---</td> <td>± ---</td> </tr> <tr> <td>3 PLACES</td> <td>± ---</td> <td>± ---</td> </tr> <tr> <td>2 PLACES</td> <td>± 0.13</td> <td>± ---</td> </tr> <tr> <td>1 PLACE</td> <td>± 0.25</td> <td>± ---</td> </tr> <tr> <td>0 PLACE</td> <td>± ---</td> <td>± ---</td> </tr> </tbody> </table>			mm	INCH	4 PLACES	± ---	± ---	3 PLACES	± ---	± ---	2 PLACES	± 0.13	± ---	1 PLACE	± 0.25	± ---	0 PLACE	± ---	± ---	DRAWN BY MCOLE		DATE 2012/01/30	TITLE 13.5X13.5 & 19.0X19.0 COB SERIES HOLDER ASSEMBLY			
			mm	INCH																								
		4 PLACES	± ---	± ---																								
		3 PLACES	± ---	± ---																								
2 PLACES	± 0.13	± ---																										
1 PLACE	± 0.25	± ---																										
0 PLACE	± ---	± ---																										
ANGULAR ±1/2°		CHECKED BY MCOLE		DATE 2012/05/15																								
DRAFT WHERE APPLICABLE MUST REMAIN WITHIN DIMENSIONS		MATERIAL NO.		APPROVED BY DMCGOWAN		DATE 2012/05/23	DOCUMENT NO. SD-180414-001		SHEET NO. 4 OF 5																			
SIZE B		SEE CHART						THIS DRAWING CONTAINS INFORMATION THAT IS PROPRIETARY TO MOLEX INCORPORATED AND SHOULD NOT BE USED WITHOUT WRITTEN PERMISSION																				

10	9	8	7	6	
COB MFG	TYPE	DIM 'X'	DIM 'Y'	DIM 'Z'	DIM 'D'
CITIZEN	CLL020, CLL022, CLU024, CLU026, CLU028	13.5	13.5	0.90	11.2
CITIZEN	CLU025, CLU027	13.5	13.5	0.90	7.4
CITIZEN	CLU700, CLU701	13.5	13.5	0.90	7.8
SEOUL	ZC6	13.5	13.5	0.90	10.0
TRIDONIC	SLE G5 LES10	13.5	13.5	0.90	9.4
EVERLIGHT	EAHP1313WA*, EAHP1313WB*, EAHP1313WC*	13.5	13.5	0.90	10.8
EVERLIGHT	EA1313 36V/3W	13.5	13.5	0.90	10.8
EVERLIGHT	EA1313 36V/6W	13.5	13.5	0.90	10.8
EVERLIGHT	EA1313 36V/10W	13.5	13.5	0.90	10.8
EVERLIGHT	EA1313 36V/13W	13.5	13.5	0.90	10.8
VOSSLOH-SCHWABE	DMC122C	13.5	13.5	1.00	10.0

5	4	3	2	1	
COB MFG	TYPE	DIM 'X'	DIM 'Y'	DIM 'Z'	DIM 'D'
CITIZEN	CLL030, CLL032, CLU034, CLU036, CLU038	19.0	19.0	0.90	17.0
CITIZEN	CLU720, CLU721	19.0	19.0	0.90	13.5
SEOUL	ZC12, ZC18	19.0	19.0	0.90	16.0
TRIDONIC	SLE G5 LES15	19.0	19.0	0.90	15.0
EVERLIGHT	EAHP1919WA*, EAHP1919WB*, EAHP1919WC*	19.0	19.0	0.90	15.5
EVERLIGHT	EA1919 36V/16W	19.0	19.0	0.90	15.5
EVERLIGHT	EA1919 36V/19W	19.0	19.0	0.90	15.5
EVERLIGHT	EA1919 36V/26W	19.0	19.0	0.90	15.5
VOSSLOH-SCHWABE	DMC114C	19.0	19.0	1.00	11.9
VOSSLOH-SCHWABE	DMC124***F, DMC125***F	19.0	19.0	1.00	13.1
VOSSLOH-SCHWABE	DMC125C	19.0	19.0	1.00	13.1
VOSSLOH-SCHWABE	DMC128***F	19.0	19.0	1.00	15.8
BRIDGELUX	H15	19.0	19.0	1.10	16.5



COB LED

ENTER DESCRIPTION EC NO: SSL2017-0012 *DRAWN: ZABJANOVSKI 2016/08/17 CHKD: APPR: GMEYER 2016/09/21 B2	QUALITY SYMBOLS =0 =0	GENERAL TOLERANCES (UNLESS SPECIFIED) <table border="1"> <thead> <tr> <th></th> <th>mm</th> <th>INCH</th> </tr> </thead> <tbody> <tr> <td>4 PLACES</td> <td>± ---</td> <td>± ---</td> </tr> <tr> <td>3 PLACES</td> <td>± ---</td> <td>± ---</td> </tr> <tr> <td>2 PLACES</td> <td>± 0.13</td> <td>± ---</td> </tr> <tr> <td>1 PLACE</td> <td>± 0.25</td> <td>± ---</td> </tr> <tr> <td>0 PLACE</td> <td>± ---</td> <td>± ---</td> </tr> </tbody> </table>		mm	INCH	4 PLACES	± ---	± ---	3 PLACES	± ---	± ---	2 PLACES	± 0.13	± ---	1 PLACE	± 0.25	± ---	0 PLACE	± ---	± ---	DIMENSION STYLE MM ONLY	SCALE 1:1	DESIGN UNITS METRIC	THIRD ANGLE PROJECTION
		mm	INCH																					
	4 PLACES	± ---	± ---																					
	3 PLACES	± ---	± ---																					
	2 PLACES	± 0.13	± ---																					
1 PLACE	± 0.25	± ---																						
0 PLACE	± ---	± ---																						
		<table border="1"> <thead> <tr> <th>DRAWN BY</th> <th>DATE</th> <th>TITLE</th> </tr> </thead> <tbody> <tr> <td>MCOLE</td> <td>2012/01/30</td> <td rowspan="2">13.5X13.5 & 19.0X19.0 COB SERIES HOLDER ASSEMBLY</td> </tr> <tr> <td>MCOLE</td> <td>2012/05/15</td> </tr> <tr> <td>APPROVED BY</td> <td>DATE</td> <td></td> </tr> <tr> <td>DMCGOWAN</td> <td>2012/05/23</td> <td></td> </tr> </tbody> </table>	DRAWN BY	DATE	TITLE	MCOLE	2012/01/30	13.5X13.5 & 19.0X19.0 COB SERIES HOLDER ASSEMBLY	MCOLE	2012/05/15	APPROVED BY	DATE		DMCGOWAN	2012/05/23									
DRAWN BY	DATE	TITLE																						
MCOLE	2012/01/30	13.5X13.5 & 19.0X19.0 COB SERIES HOLDER ASSEMBLY																						
MCOLE	2012/05/15																							
APPROVED BY	DATE																							
DMCGOWAN	2012/05/23																							
DRAFT WHERE APPLICABLE MUST REMAIN WITHIN DIMENSIONS		SEE CHART	MATERIAL NO. SD-180414-001	DOCUMENT NO.	SHEET NO. 5 OF 5																			
THIS DRAWING CONTAINS INFORMATION THAT IS PROPRIETARY TO MOLEX INCORPORATED AND SHOULD NOT BE USED WITHOUT WRITTEN PERMISSION																								