

4

3

2

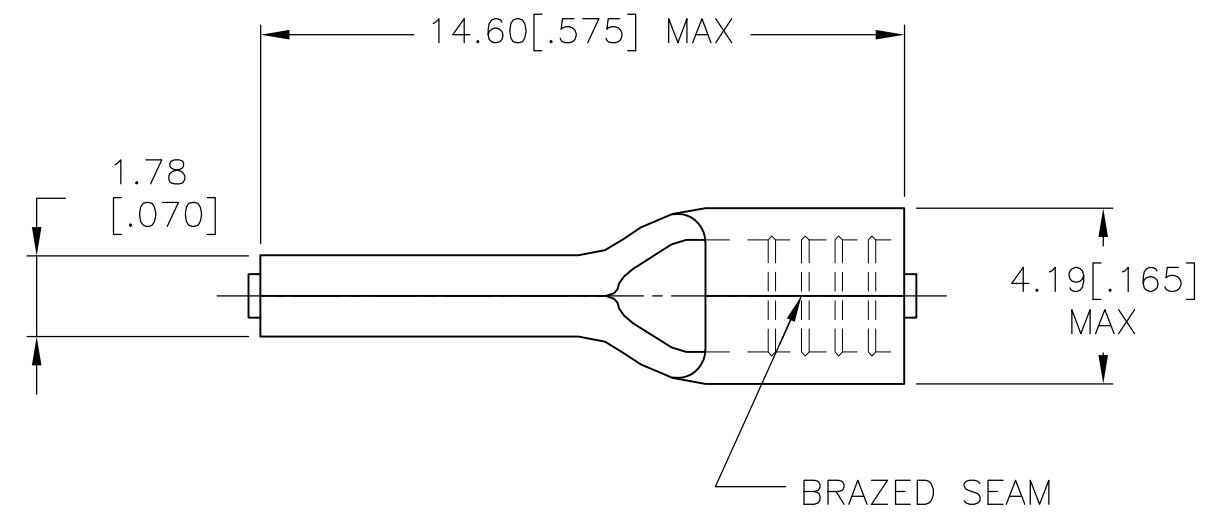
1

THIS DRAWING IS UNPUBLISHED. RELEASED FOR PUBLICATION
 © COPYRIGHT - By - ALL RIGHTS RESERVED.

LOC	DIST	REVISIONS			
P	LTR	DESCRIPTION	DATE	DWN	APVD
G	86	E1	REVISED PER ECO-14-003208	13MAR2014	NK DR

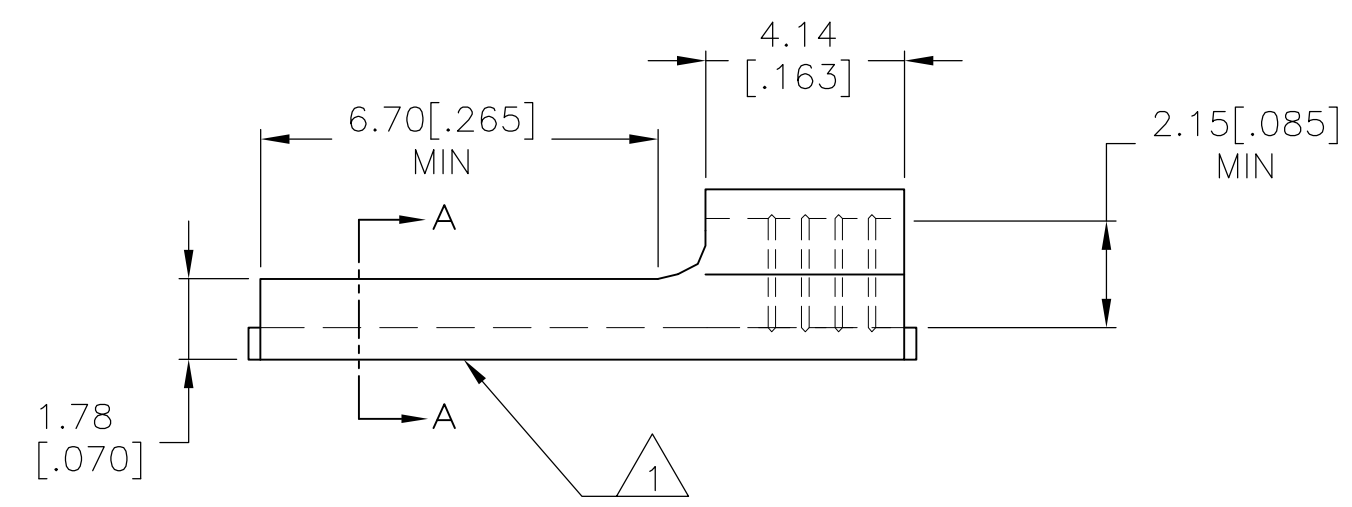
AMP
WIRE RANGE

16-14 AWG
SOLID OR STRANDED



- 1 STAMP AMP 16-14* APPROX AS SHOWN
- 2 MAX RECOMMENDED OPERATING TEMPERATURE 170°C [338°F]

SECTION A-A



1000	LOOSE PIECE	165045
QTY	PACKAGE TYPE	PART NO

THIS DRAWING IS A CONTROLLED DOCUMENT.		DWN	JR RUTH	01JUN07	STE TE Connectivity						
DIMENSIONS: mm [INCHES]		CHK	M SPICER	01JUN07							
		APVD	M SPICER	01JUN07							
		PRODUCT SPEC		NAME		TERMINAL, WIRE PIN, SOLISTRAND, WIRE SIZE, 16-14 AWG					
TOLERANCES UNLESS OTHERWISE SPECIFIED:		APPLICATION SPEC		SIZE	CAGE CODE	DRAWING NO	RESTRICTED TO				
0 PLC ± - 1 PLC ± - 2 PLC ± - 3 PLC ± 0.20 [.008] 4 PLC ± - ANGLES ± -		WEIGHT		A3 00779 C-165045		—					
MATERIAL COPPER PER ASTM B152		FINISH TIN PLATE PER ASTM B545		CUSTOMER DRAWING		SCALE	6:1	SHEET	1 OF 1	REV	E1