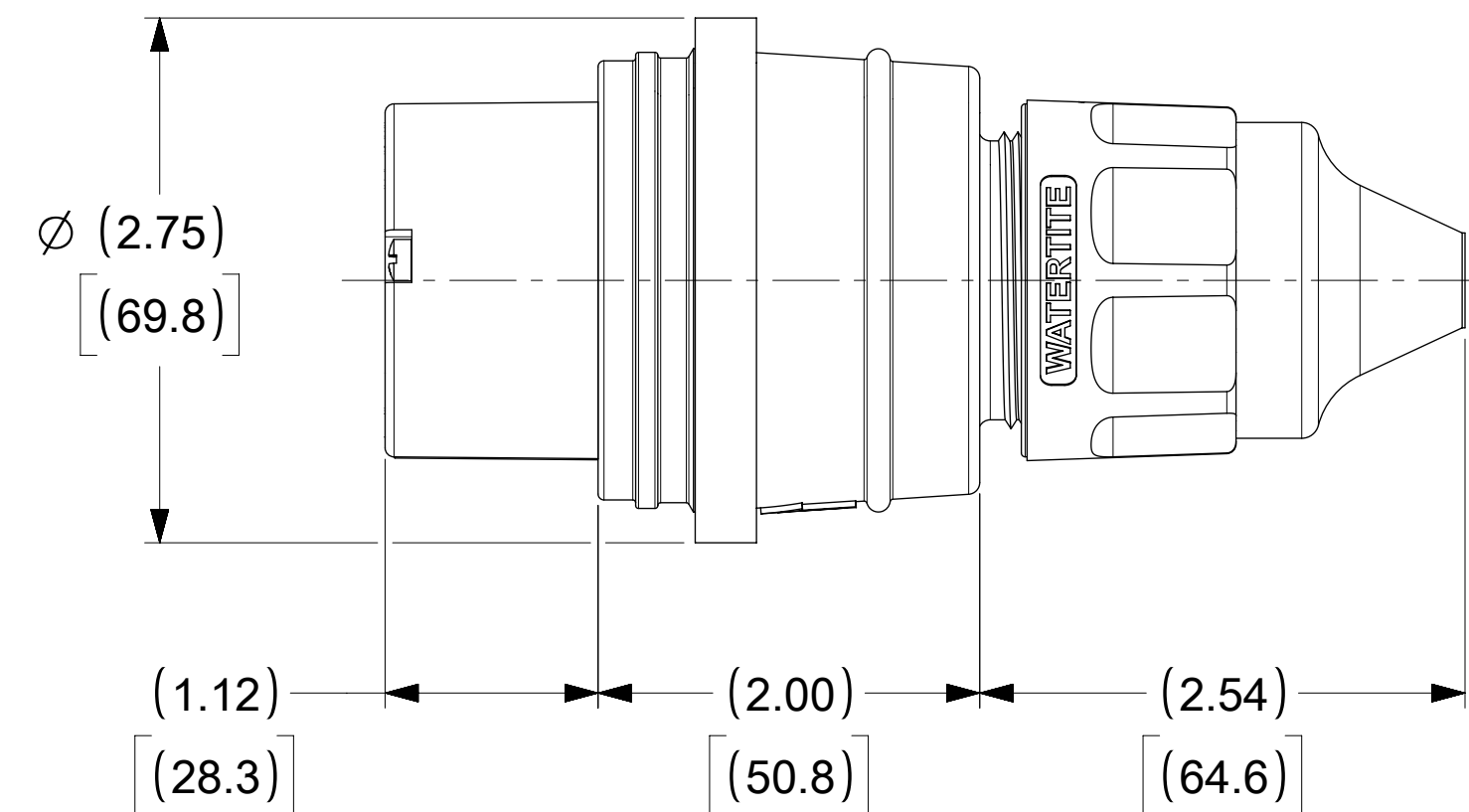
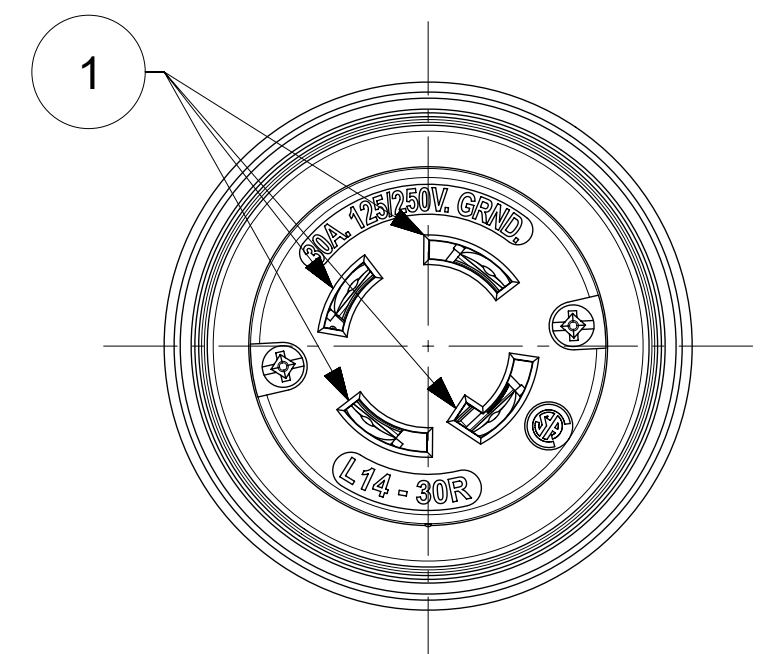
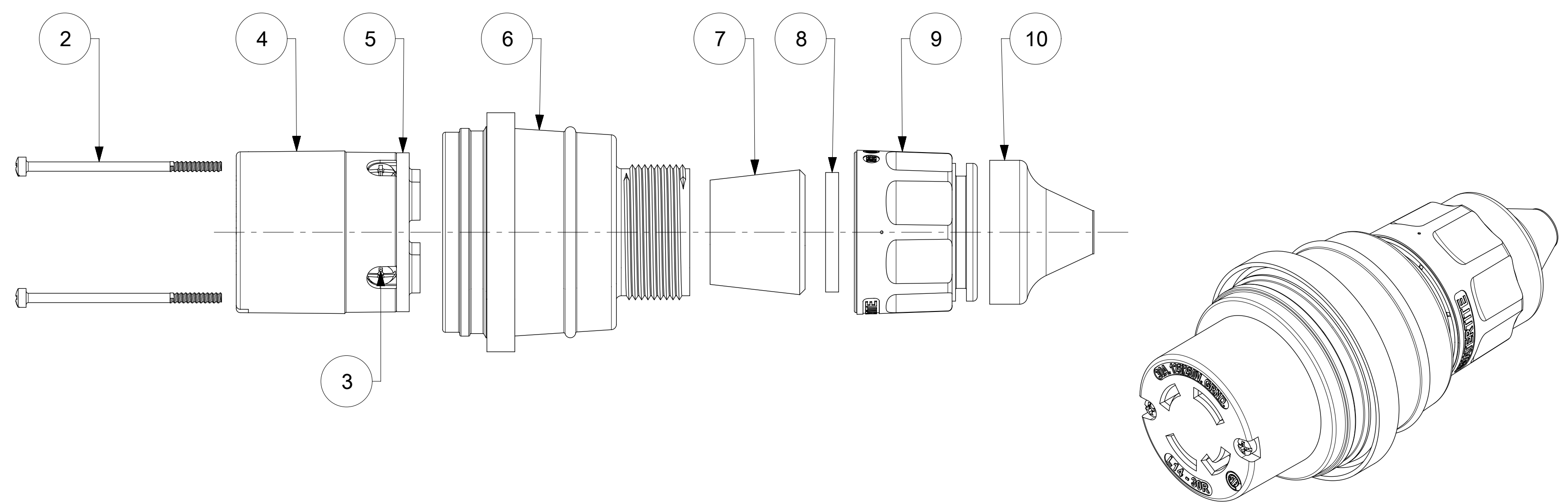


ORDER NO.	WOODHEAD NO.	COLOR
130147-0104	29W74MB	YELLOW



ITEM NO.	DESCRIPTIONS	MATERIAL	QTY.
1	BLADE	BRASS, NICKEL PLATED	4
2	RETAINING SCREWS	STAINLESS STEEL	2
3	CLAMP AND TERMINAL SCREW ASSY	BRASS, ZINC PLATED	4
4	INSERT	NYLON	1
5	TERMINAL COVER	POLYCARBONATE	1
6	HOUSING	SILICONE WITH NYLON THREAD	1
7	GROMMET	RUBBER	4
8	FRICTION RING	NYLON	1
9	COMPRESSION NUT	NYLON	1
10	CABLE GLOVE	SILICONE	1

NOTE:
1. "ACCEPT CABLE RANGE FROM .562" TO 1.00"

SYMBOLS DIMENSION UNITS: INCH[MM] SCALE: NTS GENERAL TOLERANCES (UNLESS SPECIFIED): 4 PLACES ± .005 3 PLACES ± .004 2 PLACES ± .003 1 PLACE ± .002 0 PLACES ± .001 ANGULAR TOL ± ° DRAFT WHERE APPLICABLE MUST REMAIN WITHIN DIMENSIONS THIRD ANGLE PROJECTION		CURRENT REV DESC: EC NO: 617635 DRWN: SRPATIL 2019/02/18 CHK'D: DNGUYEN62 2019/05/21 APPR: HKNEELAND 2019/10/16 INITIAL REVISION: DRWN: SRPATIL 2019/02/18 APPR: HKNEELAND 2019/10/16 DRAWING SERIES: C-SIZE 130147	 WATERTITE CONNECTOR MOTOR BASE 3P4W L14-30 PRODUCT CUSTOMER DRAWING DOCUMENT NUMBER: 1301470104 DOC TYPE: PSD DOC PART: 000 REVISION: A MATERIAL NUMBER: SEE TABLE CUSTOMER: GENERAL MARKET SHEET NUMBER: 1 OF 1
---	--	---	---