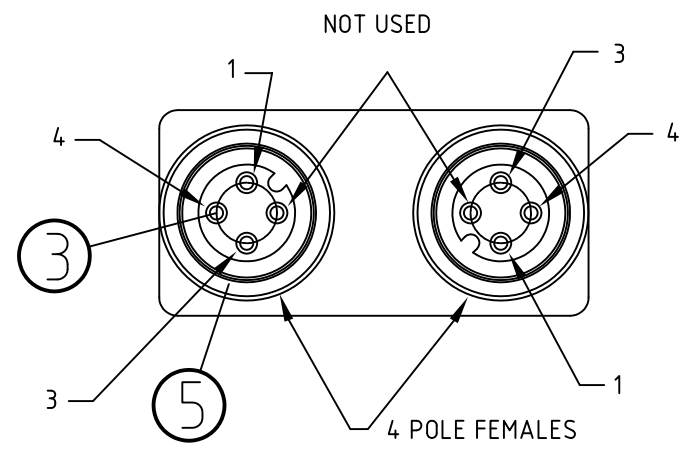
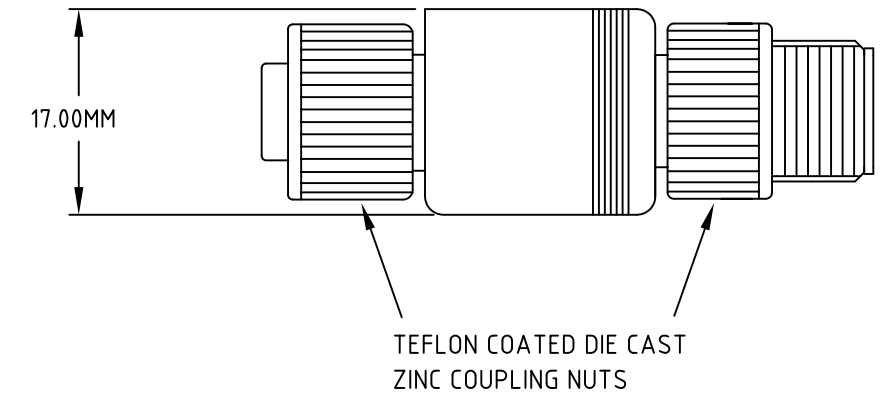
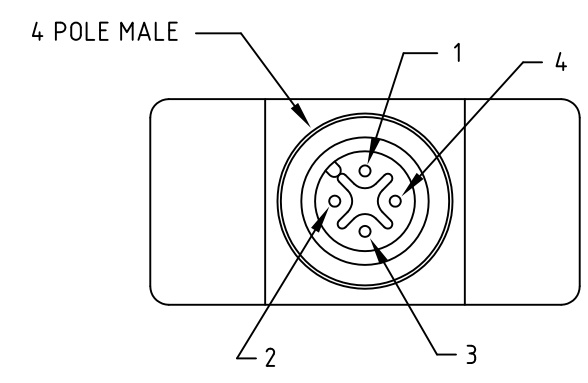


**FRONT VIEW**



**FRONT VIEW**



MATERIAL NUMBER	ENGINEERING NUMBER
1200685035	884AP0

ITEM	COMPONENT	MATERIAL	FINISH
5	O-RING	VITON	RED
4	COUPLER	BRASS	NICKEL PLATED
3	PIN CONTACT	COPPER ALLOY	GOLD OVER NICKEL
2	INSERT	PUR	BLACK
1	OVERMOLD	PVC	CLEAR-97SHR

DESCRIPTION EC NO: WEU2010-0382 DRWN: BBRAUCH 2010/02/19 CH'KD: NS APPR: NSTAUDIG 2010/02/24	QUALITY SYMBOLS	GENERAL TOLERANCES (UNLESS SPECIFIED)		DIMENSION STYLE	SCALE	DESIGN UNITS	THIRD ANGLE PROJECTION	
	▽ = 0 ∇ = 0	mm	INCH	MM ONLY	2:1	METRIC		
		4 PLACES ±---	±---		DRAWN BY	DATE	<b>MMC-4P-3LED-MOULDED Y-SPLITTER</b> ----	
		3 PLACES ±---	±---		BBRAUCH	2010/02/19		
		2 PLACES ±---	±---		CHECKED BY	DATE	<b>MOLEX INCORPORATED</b> MOLEX	
	1 PLACE ±0.3	±---		NS	2010/02/23			
	ANGULAR ± --- °			APPROVED BY	DATE	<b>SD-120068-037</b> DOCUMENT NO.		
				NSTAUDIG	2010/02/24			
				MATERIAL NO.		SHEET NO.		
				SEE TABLE		1 OF 1		
				SIZE	THIS DRAWING CONTAINS INFORMATION THAT IS PROPRIETARY TO MOLEX INCORPORATED AND SHOULD NOT BE USED WITHOUT WRITTEN PERMISSION			
				A3				