

MATERIALS AND FINISHES

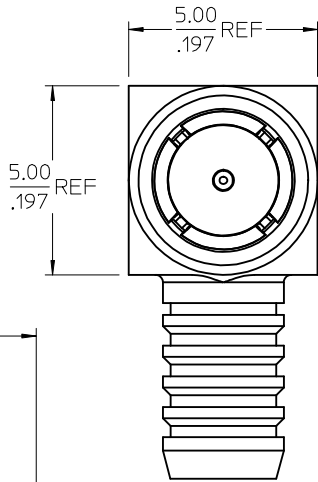
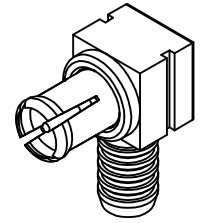
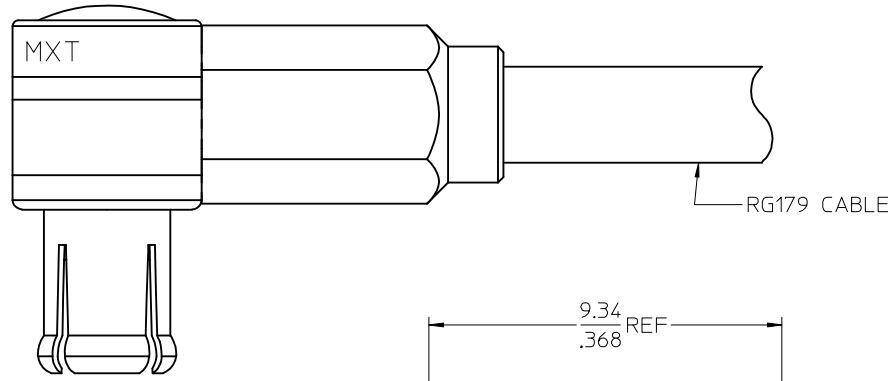
BODY ZINC ALLOY
PLATED NICKEL (70 MICRONS MIN)

CENTER CONTACT BRASS
PLATED GOLD (10 MICRONS MIN)

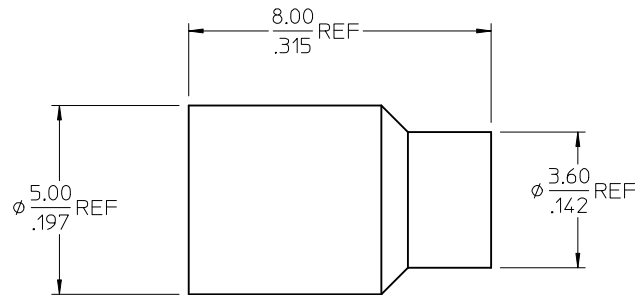
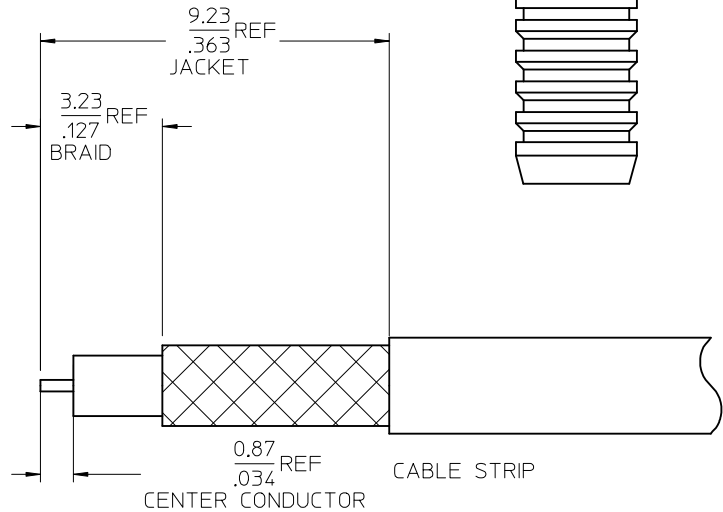
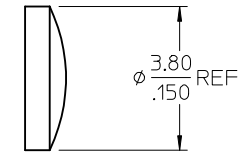
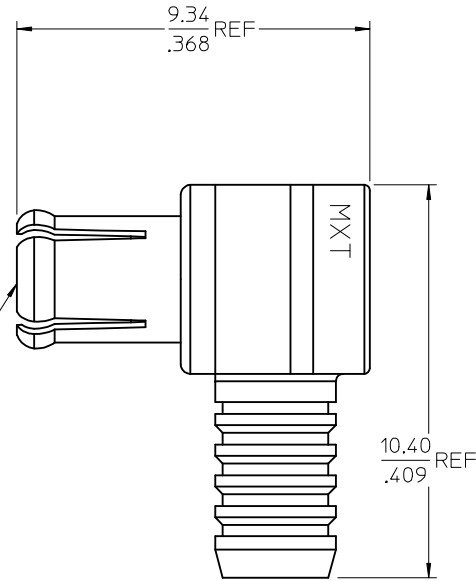
INSULATOR TEFLON

OUTER CONTACT BERYLLIUM COPPER
PLATED PLATED GOLD (10 MICRONS MIN)

CRIMP DIE: 4.08(161) HEX



MCX PLUG, 75 OHM INTERFACE



PART # 73415-5190

UNLESS OTHERWISE SPECIFIED DIMS ARE MILLIMETERS AND ANGLES ARE DEGREES.

- ∇ ALL OVER.
- NO CHATTER OR NON-UNIFORM SURFACE FINISH ALLOWED.
- PARTS TO BE FREE OF BURRS & SHARP EDGES 0.13(005) MAX BREAK.
- EXTERNAL THREADS TO BE ROLLED OR SINGLE POINT.
- DIAMETERS TO BE CONCENTRIC WITHIN 0.08(003) TIR.

CHG: NEW RELEASE EC NO: URF2005-0152 DRWN: TELAHRT 2004/10/28 CHKD: SSHAH 2004/10/28 APPR: WIENER 2004/10/28	DESCRIPTION REV: A	QUALITY SYMBOLS	GENERAL TOLERANCES (UNLESS SPECIFIED)	DIMENSION STYLE	SCALE	DESIGN UNITS	THIRD ANGLE PROJECTION		
		$\nabla=0$ $\nabla=0$	mm INCH 4 PLACES ± --- ± --- 3 PLACES ± --- ± --- 2 PLACES ± --- ± --- 1 PLACE ± --- ± --- ANGULAR ± 2 °	MM/IN	METRIC	DRAWN BY DATE TEF 2004/10/27 CHECKED BY DATE SSS 2004/10/27 APPROVED BY DATE JDW 2004/10/27	TITLE	MOLEX MOLEX INCORPORATED DOCUMENT NO. SD-73415-519	SHEET NO. 1 OF 1
		DRAFT WHERE APPLICABLE MUST REMAIN WITHIN DIMENSIONS	MATERIAL NO.	734155190	THIS DRAWING CONTAINS INFORMATION THAT IS PROPRIETARY TO MOLEX INCORPORATED AND SHOULD NOT BE USED WITHOUT WRITTEN PERMISSION				
		SIZE	C						