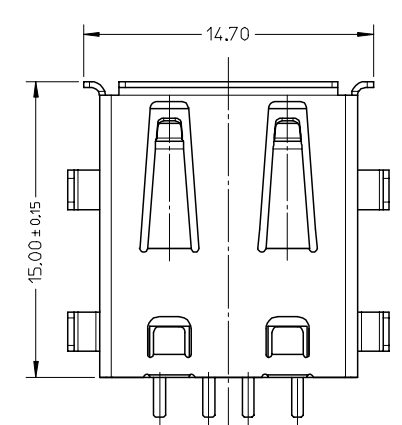
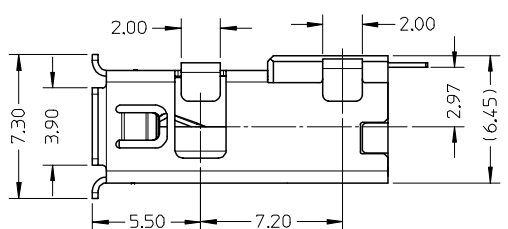
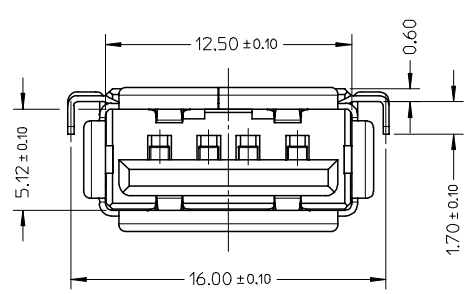


RECOMMENDED PCB LAYOUT (COMPONENT SIDE)
PCB THICKNESS=1.2mm (DEFAULT TOLERANCE=±0.05)

NOTES:

- MATERIAL:
HOUSING: PA6T, GLASS FIBRE FILLED, UL94-V0, COLOR: BLACK.
TERMINAL: PHOSPHOR BRONZE.
METAL SHELL: COPPER ALLOY.
- PLATING:
TERMINAL:
CONTACT AREA: GOLD FLASH PLATING.
SOLDER AREA: MATTE TIN 2 MICROMETRE MIN.
UNDERPLATING: NICKLE 1.27 MICROMETRE MIN.
METAL SHELL:
SOLDERABLE NICKEL 1.27 MICROMETRE MIN.
- PRODUCT SPECIFICATION REFERENCE TO PS-47504-001.
- COMPLIANT TO RoHS DIRECTIVE 2002/95/EC AND ELV DIRECTIVE 2000/53/EC.



NEW PRODUCT EC NO: SH2008-0222 DRWN: KWEI 2007/11/15 CHKD: RZHANG 2007/11/16 APPR: JNCHEN 2007/11/23	QUALITY SYMBOLS ▽=0 ▽=0	GENERAL TOLERANCES (UNLESS SPECIFIED)		DIMENSION STYLE	SCALE	DESIGN UNITS	THIRD ANGLE PROJECTION		
				MM ONLY	4:1	METRIC			
			mm	INCH	DRAWN BY	DATE	TITLE		
		4 PLACES	±---	±---	KLAUS WEI	2006/08/28	SINGLE USB SMT TYPE REVERSE TYPE		
3 PLACES	±---	±---	CHECKED BY	DATE					
2 PLACES	±0.25	±---	ROST ZHANG	2006/08/28	MOLEX INCORPORATED				
1 PLACE	±0.30	±---	APPROVED BY	DATE					
ANGULAR ±---		±---	HARVEY WANG	2006/08/28	MATERIAL NO.	DOCUMENT NO.	SHEET NO.		
DRAFT WHERE APPLICABLE MUST REMAIN WITHIN DIMENSIONS		SIZE	475040001	SD-47504-001	1 OF 1				
THIS DRAWING CONTAINS INFORMATION THAT IS PROPRIETARY TO MOLEX INCORPORATED AND SHOULD NOT BE USED WITHOUT WRITTEN PERMISSION									