



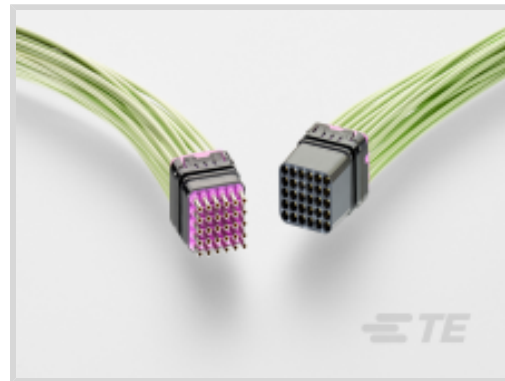
DEUTSCH

TE Internal #: ZPF000000000202709

Rectangular Contact Inserts, Insert for Contacts, Socket, 30 Pole Configuration, Crimp, Wire-to-Wire, 30 Position, Sealable, 26 – 22 AWG Wire Size

[View on TE.com >](#)

Connectors > Rectangular Connectors > Rectangular Contact Inserts



Rectangular Connector Insert Type: **Insert for Contacts**

Contact Type: **Socket**

Pole Configuration: **30**

Termination Method to Wire & Cable: **Crimp**

Connector System: **Wire-to-Wire**

**Features**

**Product Type Features**

Rectangular Connector Insert Type	Insert for Contacts
Connector System	Wire-to-Wire
Sealable	Yes
Connector & Contact Terminates To	Wire & Cable

**Configuration Features**

Number of Positions	30
---------------------	----

**Body Features**

Primary Product Material	Composite
--------------------------	-----------

**Contact Features**

Contact Type	Socket
Pole Configuration	30
Contact Current Rating (Max)	5 A

**Termination Features**

Termination Method to Wire & Cable	Crimp
------------------------------------	-------

**Mechanical Attachment**

Connector Mounting Type	Cable Mount (Free-Hanging)
-------------------------	----------------------------

**Housing Features**



Centerline (Pitch)	2.15 mm[.084 in]
--------------------	------------------

### Dimensions

Wire Size	.15 – .4 mm <sup>2</sup>
-----------	--------------------------

### Usage Conditions

Operating Temperature Range	-55 – 175 °C[-67 – 347 °F]
-----------------------------	----------------------------

### Operation/Application

Circuit Application	Power, Signal & High Speed Data
---------------------	---------------------------------

### Packaging Features

Packaging Quantity	1
Packaging Method	Package

### Product Compliance

[For compliance documentation, visit the product page on TE.com>](#)

EU RoHS Directive 2011/65/EU	Compliant with Exemptions
EU ELV Directive 2000/53/EC	Out of Scope
China RoHS 2 Directive MIIT Order No 32, 2016	Restricted Materials Above Threshold
EU REACH Regulation (EC) No. 1907/2006	Current ECHA Candidate List: JAN 2023 (233) Candidate List Declared Against: JAN 2023 (233) SVHC > Threshold: Pb (1.2% in alloy) <b>Article Safe Usage Statements:</b> Do not eat, drink or smoke when using this product. Wash thoroughly after handling. Recycle if possible and dispose of the article by following all applicable governmental regulations relevant to your geographic location.
Halogen Content	Low Halogen - Br, Cl, F, I < 900 ppm per homogenous material. Also BFR/CFR/PVC Free
Solder Process Capability	Not reviewed for solder process capability

#### Product Compliance Disclaimer

This information is provided based on reasonable inquiry of our suppliers and represents our current actual knowledge based on the information they provided. This information is subject to change. The part numbers that TE has identified as EU RoHS compliant have a maximum concentration of 0.1% by weight in homogenous materials for lead, hexavalent chromium, mercury, PBB, PBDE, DBP, BBP, DEHP, DIBP, and 0.01% for cadmium, or qualify for an exemption to these limits as defined in the Annexes of Directive 2011/65/EU (RoHS2). Finished electrical and electronic equipment products will be CE marked as required by Directive 2011/65/EU. Components may not be CE marked. Additionally, the part numbers that TE has identified as EU ELV compliant have a maximum concentration of 0.1% by weight in homogenous materials for lead, hexavalent chromium, and mercury, and 0.01% for cadmium, or qualify for an exemption to these limits as defined in the Annexes of Directive 2000/53/EC (ELV). Regarding the REACH Regulation, the information TE provides

on SVHC in articles for this part number is based on the latest European Chemicals Agency (ECHA) 'Guidance on requirements for substances in articles' posted at this URL: <https://echa.europa.eu/guidance-documents/guidance-on-reach>

## Customers Also Bought



TE Part #605980-2  
FUSION TAPE, 1" X .020" X 30FT



TE Part #ZPF000000000145736  
DMC-MD 26 C-K-T



TE Part #1811901-1  
Asy, Recpt, Size 19 Panel Mt, N Key



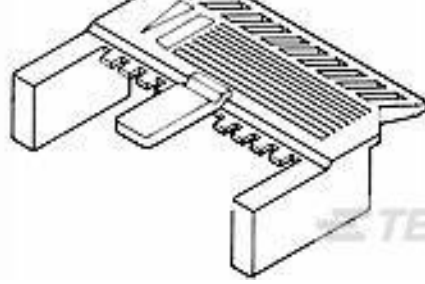
TE Part #440703-000  
SO63-1-9030



TE Part #1588908-1  
PRO BEAM JR, FRRL KIT, PC 126 SEALED



TE Part #1604800-5  
Plug Kit, 12 Pos Quadrx



TE Part #1-102537-0  
24 AMPMODU MT COVER DR .100CL



TE Part #102104-2  
MOD I RECP LP

TE Part #ZPF0000000000015385  
DMC-M 84-01

TE Part #RSM04-19-38P  
RECP ASSY

## Documents

### Product Drawings

[DMC-MR 30-23 SN](#)

French

### Datasheets & Catalog Pages

[DEUTSCH DMCM 30-23 Inserts](#)

English