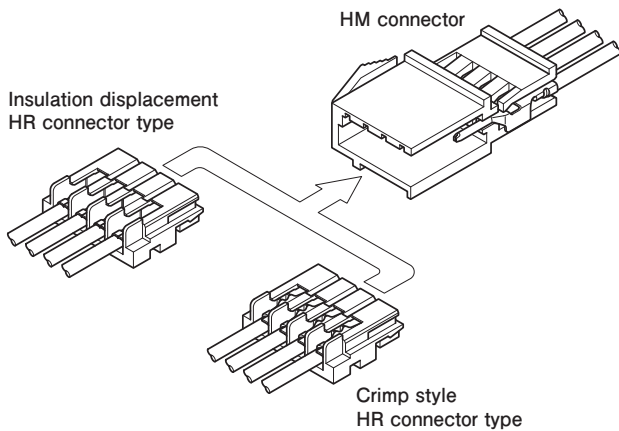


HM CONNECTOR

2.5 mm pitch/Wire-to-Wire connectors/Crimp style and Mating style



Introducing a 2.5 mm pitch plug styled wire-to-wire HM connector that supports both HR crimp and HR insulation displacement receptacles which is cost-efficient and highly reliable.

- Supports both HR crimp style and HR insulation displacement receptacles.
- Housing lances
- Panel lock mechanism
- Protective shell-shaped housing.

Standards

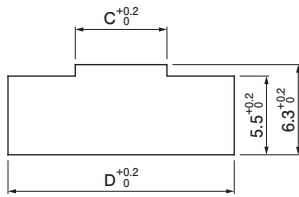
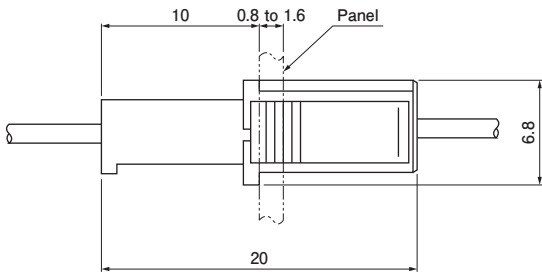
Ⓜ: Recognized E 60389

Specifications

- Current rating:
 - Crimp style HR connectors type
3 A AC/DC (AWG #22)
 - Insulation displacement HR connectors type
2 A AC/DC (AWG #24)
 - Voltage rating: 250 V AC/DC
Caution: Does not comply with Japan Electrical Appliance and Material Safety Law.
When using, be aware that the exposed contact should not touch or get too close to other metal enclosures, cases and covers.
 - Temperature range: -25°C to +85°C
(including temperature rise in applying electrical current)
 - Contact resistance:
 - Initial value/ 10 mΩ max.
 - After environmental tests/ 20 mΩ max.
 - Insulation resistance: 500 MΩ min.
 - Withstanding voltage:
 - There shall be no breakdown or flashover while applying 1,000 VAC for one minute.
 - Applicable wire range:
 - Conductor size/ AWG #26 to AWG #22
 - Insulation O.D./ ϕ 1.3 mm to ϕ 1.7 mm
 - Applicable panel thickness: 0.8 to 1.6 mm
- * In using the products, refer to "Handling Precautions for Terminals and Connectors" described on our website (Technical documents of Product information page).
- * RoHS2 compliance
- * Dimensional unit: mm
- * Contact JST for details.

HM CONNECTOR

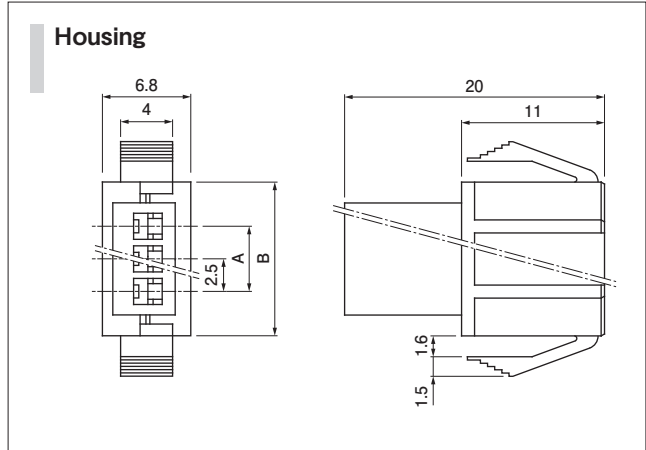
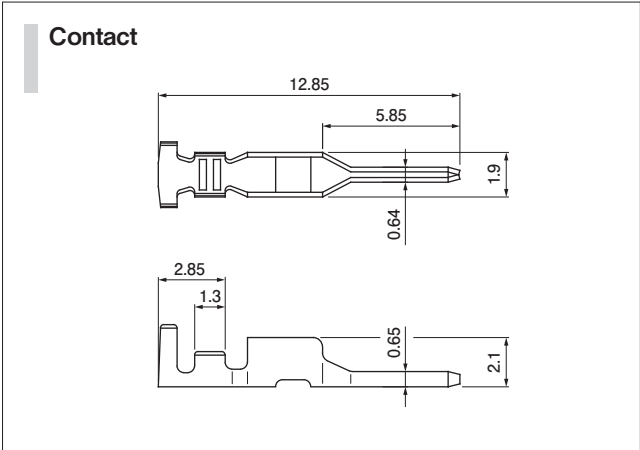
Panel layout and Assembly layout



No. of circuits	Model No.	Panel hole dimensions (mm)	
		C	D
2	HMR-02V	3.9	13.3
3	HMR-03V	6.4	15.8
4	HMR-04V	8.9	18.3
8	HMR-08V	18.9	28.3
12	HMR-12V	28.9	38.3

- Note: 1. Drill holes in the panel according to the sketch and table shown above. Burrs must be removed.
 2. The strength of the panel must be considered when punching two or more holes.
 3. The drilled hole must be at the same angle as the direction in which the connector is inserted.

Plug/ HM connector



Model No.	Applicable wire range		Q'ty/ reel
	Conductor size AWG (mm ²)	Insulation O.D. (mm)	
SMR-001T-0.6	#26 to #22 (0.13 to 0.33)	1.3 to 1.7	9,000

Material and Surface finish, etc.
 Brass, tin-plated

No. of circuits	Model No.	Dimensions (mm)		Q'ty/ bag
		A	B	
2	HMR-02V	2.5	9.3	1,000
3	HMR-03V	5.0	11.8	500
4	HMR-04V	7.5	14.3	500
8	HMR-08V	17.5	24.3	500
12	HMR-12V	27.5	34.3	500

Material and Surface finish, etc.
 PA 66, UL94V-0

Crimping machine

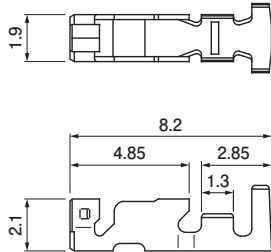
Contact	Crimping machine	Applicator	Crimp applicator with dies
SMR-001T-0.6	AP-K2N	MKS-L	APLMK SHR/MR001-06

Note: Contact JST for fully automatic crimping applicator.

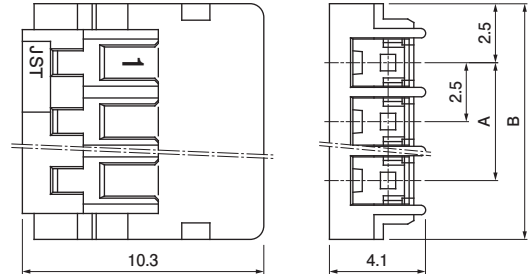
HM CONNECTOR

Receptacle / Crimp style HR connector

Contact



Housing



Model No.	Applicable wire range		Q'ty/ reel
	Conductor size AWG (mm ²)	Insulation O.D. (mm)	
SHR-001T-P0.6	#26 to #22 (0.13 to 0.33)	1.3 to 1.7	9,000

Material and Surface finish, etc.

Phosphor bronze, tin-plated

No. of circuits	Model No.	Dimensions (mm)		Q'ty/ bag
		A	B	
2	HRP-02-S	2.5	7.5	2,000
3	HRP-03-S	5.0	10.0	2,000
4	HRP-04-S	7.5	12.5	1,000
8	HRP-08-S	17.5	22.5	500
12	HRP-12-S	27.5	32.5	500

Material and Surface finish, etc.

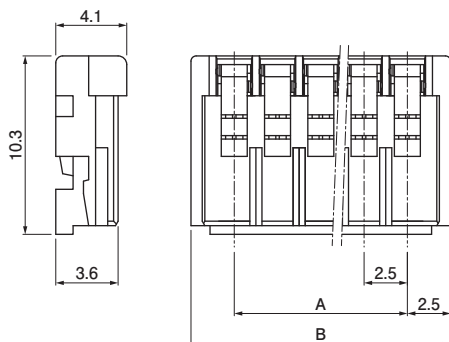
PA 66, UL94V-0

Crimping machine

Contact	Crimping machine	Applicator	Crimp applicator with dies
SHR-001T-P0.6	AP-K2N	MKS-L	APLMK SHR/MR001-06

Note: Contact JST for fully automatic crimping applicator.

Receptacle / Insulation displacement HR connector



No. of circuits	Model No.			Dimensions (mm)		Q'ty /bag
	For AWG #28	For AWG #26	For AWG #24	A	B	
2	02HR-8M-P-N	02HR-6S-P-N	02HR-4K-P-N	2.5	7.5	1,000
3	03HR-8M-P-N	03HR-6S-P-N	03HR-4K-P-N	5.0	10.0	1,000
4	04HR-8M-P-N	04HR-6S-P-N	04HR-4K-P-N	7.5	12.5	1,000
8	08HR-8M-P-N	08HR-6S-P-N	08HR-4K-P-N	17.5	22.5	500
12	12HR-8M-P-N	12HR-6S-P-N	12HR-4K-P-N	27.5	32.5	500

Material and Surface finish, etc.

Contact: Copper alloy, tin-plated
Housing: PA 66, UL94V-0

Applicable wire

UL style No.	Conductor			Insulation O.D. (mm)
	Material and Surface finish, etc.	Size AWG	Composition	
1007	Annealed copper, tin-plated	#28, #26, #24	7 conductors	1.0 to 1.5

Note: Please contact JST for the application of other wires, such as UL style No.