

Customer Information Sheet

DRAWING No.: G125-MH1XX05M3P

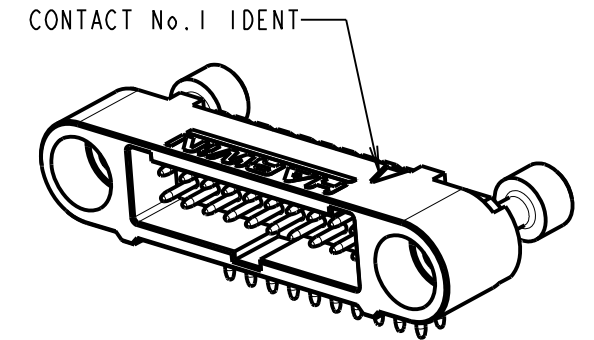
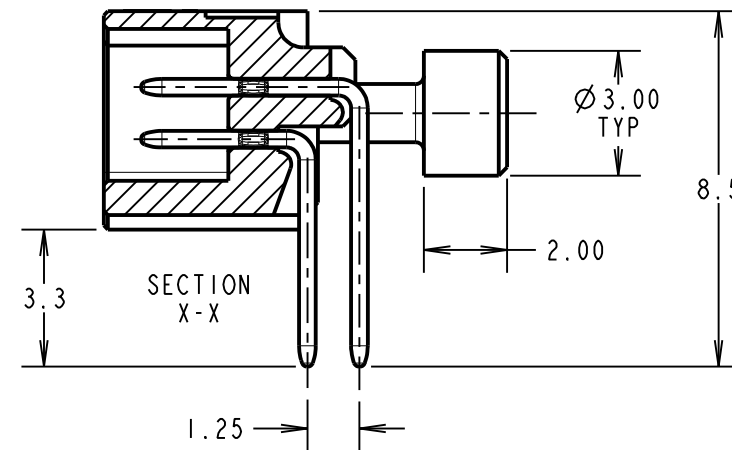
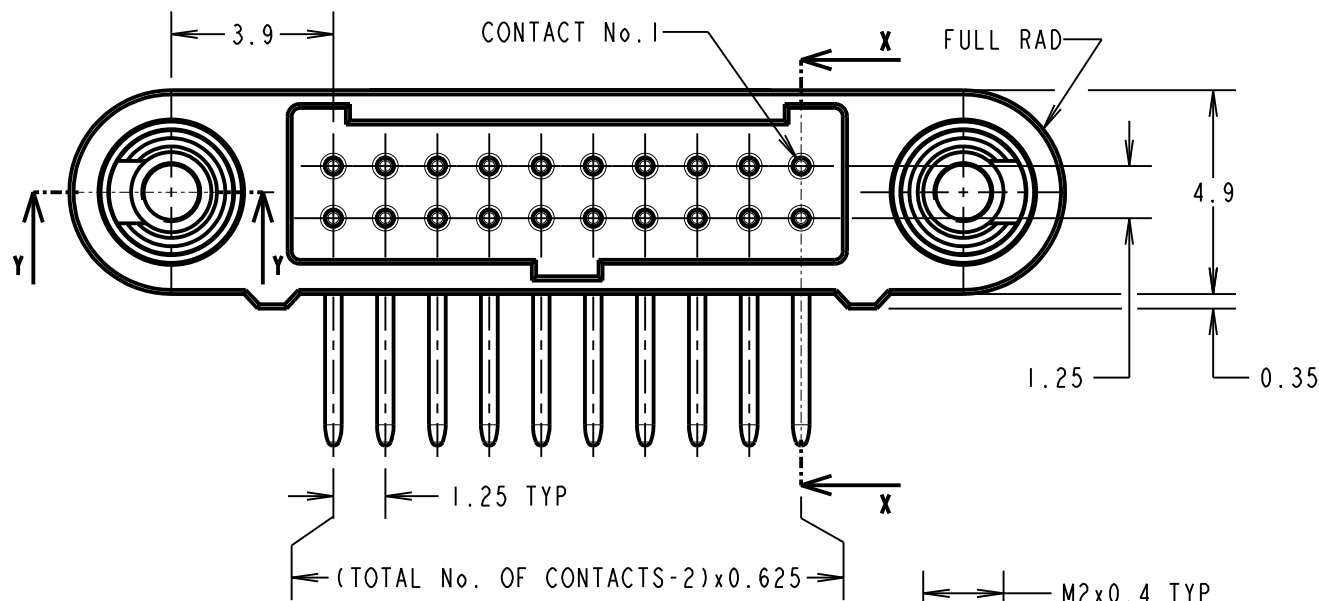
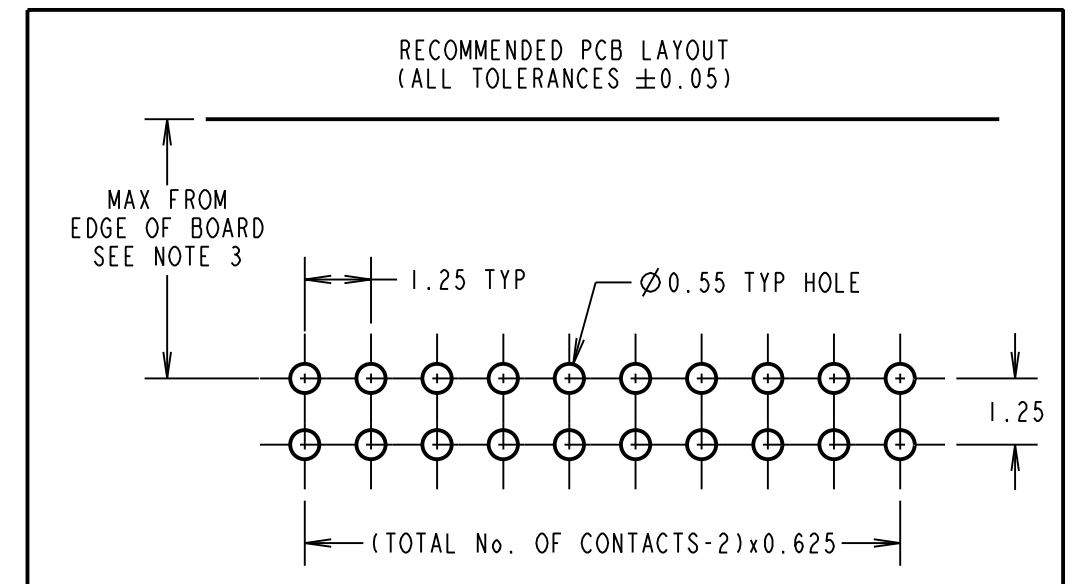
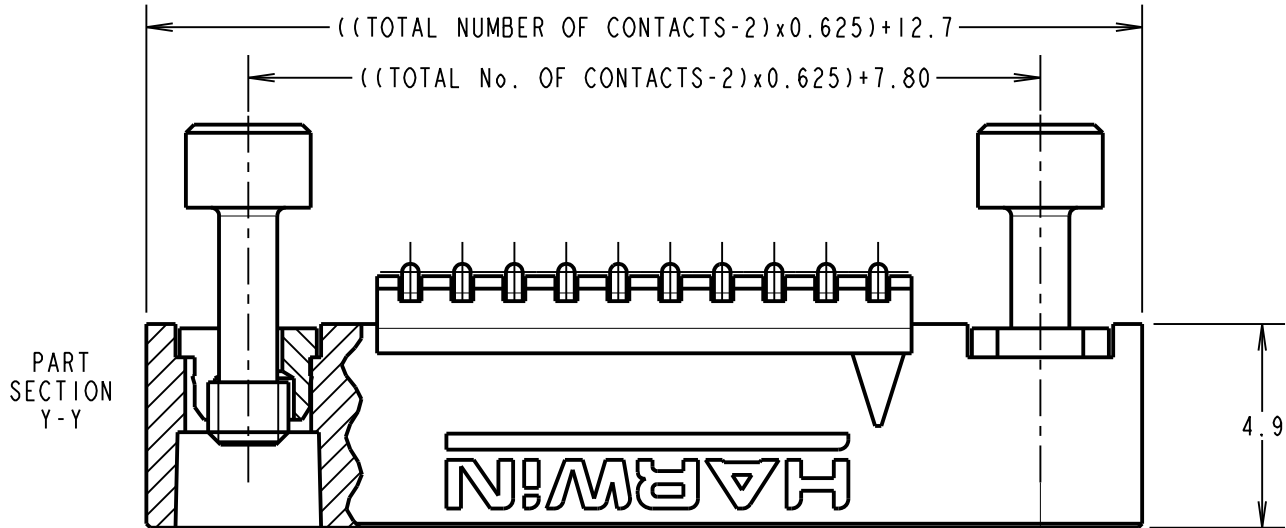
IF IN DOUBT - ASK

©

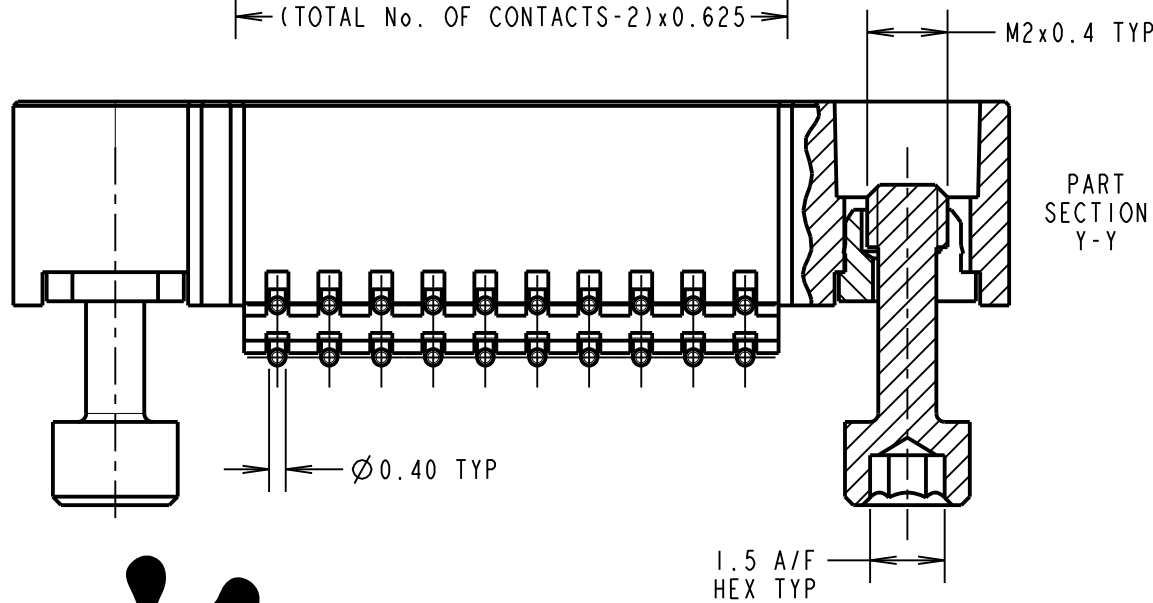
NOT TO SCALE

THIRD ANGLE PROJECTION

ALL DIMENSIONS IN mm



PRODUCT CODE:
G125-MH1XX05M3P
 TOTAL No. OF CONTACTS _____
 06, 10, 12, 16, 20, 26, 34 & 50.



CONNECTOR AND PCB LAYOUT DETAILS ONLY.
 SEE SHEET 4 FOR TAPE STRIP DETAILS.

NOTES:

- FOR MATERIALS, FINISH AND SPECIFICATION SEE GECKO SERIES CONNECTORS SPECIFICATION SUMMARY SHEET OR COMPONENT SPECIFICATION C125XX (LATEST ISSUE) FOR FULL SPECIFICATION.
- DRAWING SHOWS CONNECTOR WITH 20 CONTACTS.
- MAX DISTANCE OF NEARSIDE CONTACTS TO BOARD EDGE WHEN MATED WITH:
 -UNSHIELDED CABLE: 4.90mm
 -SHIELDED CABLE : 2.75mm

RA	2	21.10.21	30973
NAME	ISS.	DATE	CN/CO
APPROVED:		R.ALEXANDER	
CHECKED:		R.PORTLOCK	
DRAWN:		M.RUDKIN	
CUSTOMER REF.:			
ASSEMBLY DRG:			



HARWIN

www.harwin.com
 technical@harwin.com

THIS DRAWING AND ANY INFORMATION OR DESCRIPTIVE MATTER SET OUT HEREON ARE CONFIDENTIAL AND COPYRIGHT PROPERTY OF THE HARWIN GROUP AND MUST NOT BE DISCLOSED, LOANED, COPIED OR USED FOR MANUFACTURING, TENDERING OR FOR ANY OTHER PURPOSE WITHOUT THEIR WRITTEN PERMISSION.

TOLERANCES
 X. = ±1mm
 X.X = ±0.50mm
 X.XX = ±0.20mm
 X.XXX = ±0.01mm
 ANGLES = ±5°
 UNLESS STATED

MATERIAL:
 SEE ABOVE
 FINISH: SEE ABOVE
 S/AREA: mm²

TITLE: GECKO-SL HORIZONTAL PC-TAIL MALE CONNECTOR ASSEMBLY IN TAPE

DRAWING NUMBER:
G125-MH1XX05M3P

SHT
 3 OF 4

Customer Information Sheet

DRAWING No.: G125-MH1XX05M3P

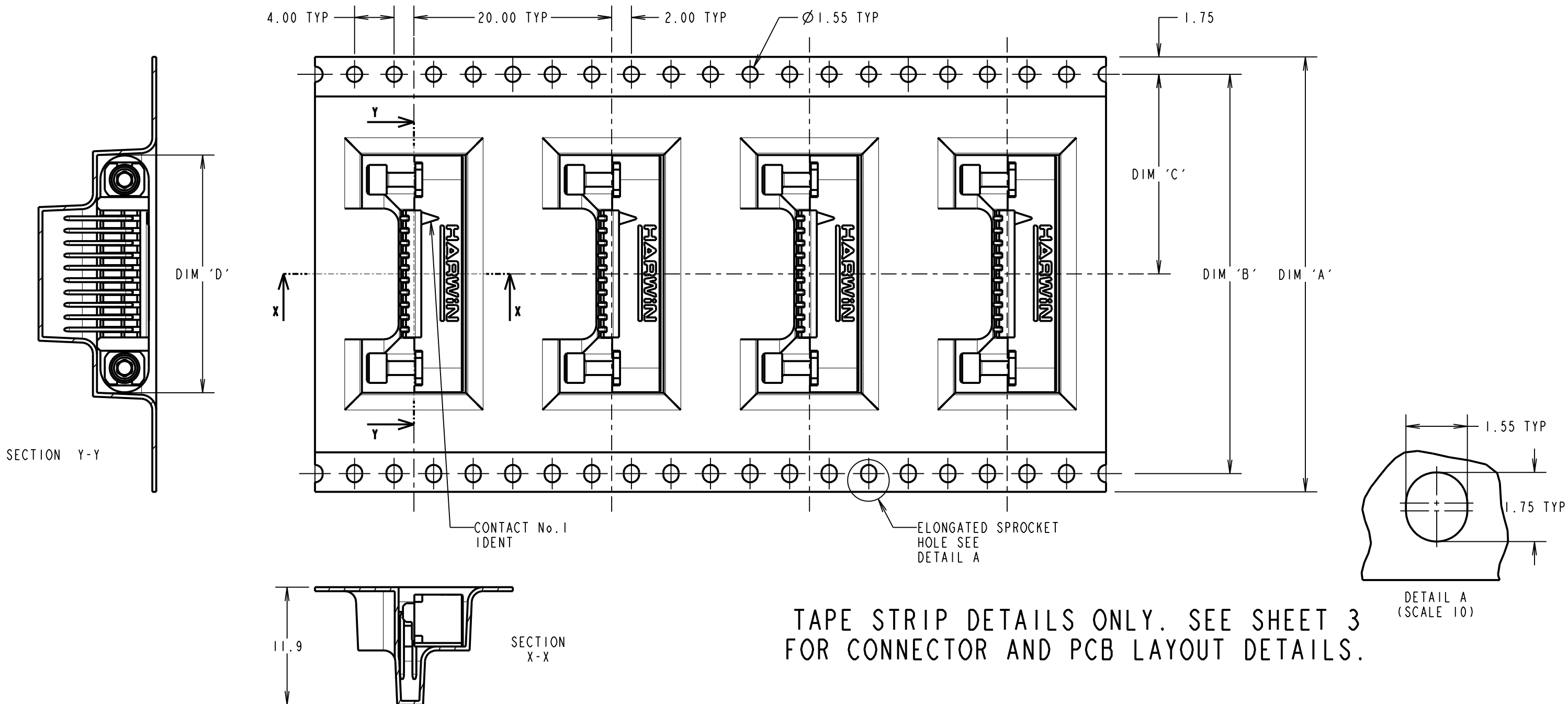
IF IN DOUBT - ASK

©

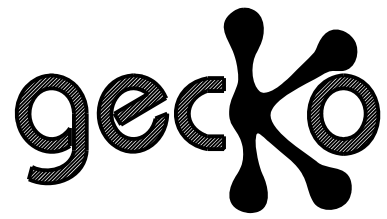
NOT TO SCALE

THIRD ANGLE PROJECTION

ALL DIMENSIONS IN mm



TAPE STRIP DETAILS ONLY. SEE SHEET 3 FOR CONNECTOR AND PCB LAYOUT DETAILS.



PRODUCT CODE:
G125-MH1XX05M3P
TOTAL No. OF CONTACTS _____
06, 10, 12, 16, 20, 26, 34 & 50.

PART No.	DIM 'A'	DIM 'B'	DIM 'C'	DIM 'D'
G125-MH10605M3P				15.30
G125-MH11005M3P	32.0±0.3	28.40	14.20	17.80
G125-MH11205M3P				19.05
G125-MH11605M3P	44.0±0.3	40.40	20.20±0.15	21.55
G125-MH12005M3P				24.05
G125-MH12605M3P				27.80
G125-MH13405M3P	56.0±0.3	52.40	26.20±0.15	32.80
G125-MH15005M3P				42.80

RA	2	21.10.21	30973
NAME	ISS.	DATE	CN/CO
APPROVED:		R.ALEXANDER	
CHECKED:		R.PORTLOCK	
DRAWN:		M.RUDKIN	
CUSTOMER REF.:			
ASSEMBLY DRG:			

NOTES CONT.:
4. COMPONENTS ARE ORIENTED IN TAPE POCKETS AS SHOWN.
5. COMPONENTS ARE SUPPLIED IN STRIPS OF TAPE. SUPPLIED QUANTITY MAY CONSIST OF MORE THAN ONE STRIP. STRIP LENGTH MAY VARY.
6. LARGE QUANTITIES MAY BE SHIPPED ON A REEL AND MAY NOT HAVE A LEADER.

HARWIN
www.harwin.com
technical@harwin.com

THIS DRAWING AND ANY INFORMATION OR DESCRIPTIVE MATTER SET OUT HEREON ARE CONFIDENTIAL AND COPYRIGHT PROPERTY OF THE HARWIN GROUP AND MUST NOT BE DISCLOSED, LOANED, COPIED OR USED FOR MANUFACTURING, TENDERING OR FOR ANY OTHER PURPOSE WITHOUT THEIR WRITTEN PERMISSION.

TOLERANCES
X. = ±1mm
X.X = ±0.50mm
X.XX = ±0.20mm
X.XXX = ±0.01mm
ANGLES = ±5°
UNLESS STATED

MATERIAL: SEE ABOVE
FINISH: SEE ABOVE
S/AREA: mm²

TITLE: GECKO-SL HORIZONTAL PC-TAIL MALE CONNECTOR ASSEMBLY IN TAPE
DRAWING NUMBER: **G125-MH1XX05M3P**
SHT 4 OF 4