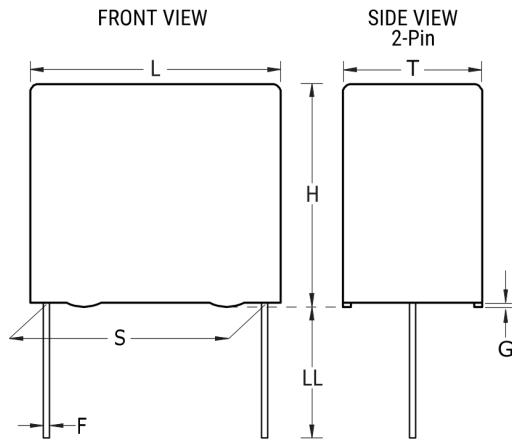


F464BC272J2K5C

Not for New Design

F464, Film, Metallized Polypropylene, General Purpose, 2700 pF, 5%, 2500 VDC, 85°C, Lead Spacing = 15mm



Click [here](#) for the 3D model.

Dimensions

| | |
|----|-----------------|
| L | 18mm -0.5mm |
| H | 11mm -0.5mm |
| T | 5mm -0.5mm |
| S | 15mm +/-0.4mm |
| LL | 4mm +2mm |
| F | 0.8mm +/-0.05mm |
| G | 0.5mm NOM |

Packaging Specifications

| | |
|--------------------|-----------|
| Packaging | Bulk, Bag |
| Packaging Quantity | 1000 |

General Information

| | |
|------------------|---|
| Series | F464 |
| Dielectric | Metallized Polypropylene |
| Style | Radial |
| Features | MKP, Pulse |
| RoHS | Yes |
| Lead | Cut/Short |
| AEC-Q200 | No |
| Component Weight | 0.136 g |
| Miscellaneous | The Rated Voltage Decreases 2%/C Between +85C And +105C (1.25%/C For AC). ClimCat: 55/105/56. |
| Notes | Series Replaced by R75. |

Specifications

| | |
|-----------------------|---------------------------------------|
| Capacitance | 2700 pF |
| Capacitance Tolerance | 5% |
| Voltage AC | 900 VAC |
| Voltage DC | 2500 VDC, 1500 VDC (105C) |
| Temperature Range | -55/+105°C |
| Rated Temperature | 85°C |
| Dissipation Factor | 0.04% 1kHz, 0.06% 10kHz, 0.25% 100kHz |
| Insulation Resistance | 100 GOhms |
| Max dV/dt | 4500 V/us |
| Inductance | 6 nH |