

8

7

6

5

4

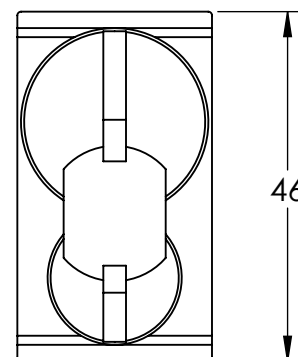
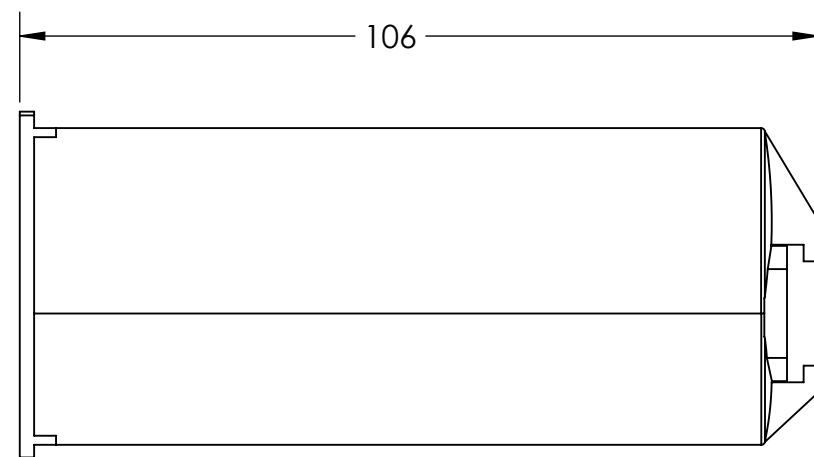
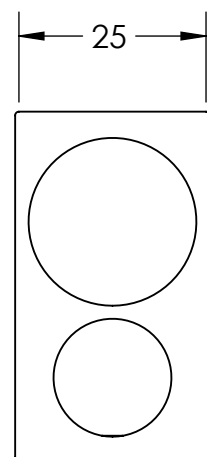
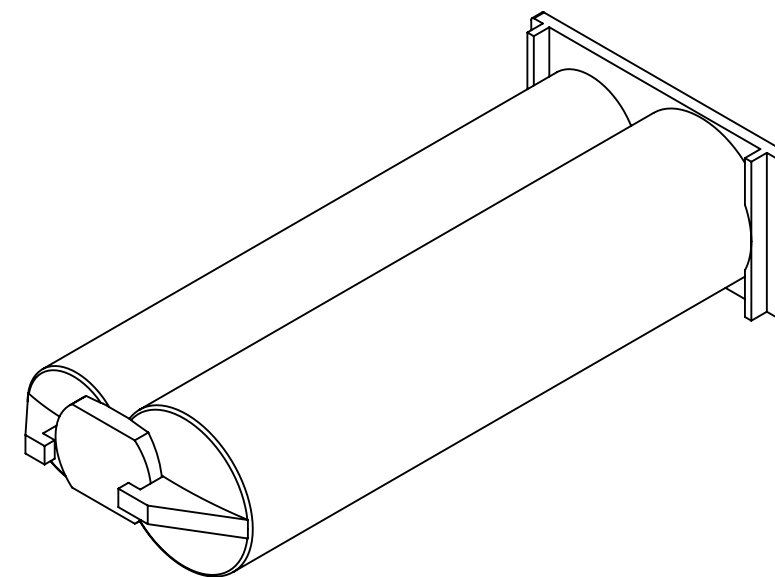
3

2

1

COPYRIGHT 2021 © SUBURBAN MARINE  
 THE INFORMATION CONTAINED IN THIS DRAWING IS THE  
 SOLE PROPERTY OF SUBURBAN MARINE, INC. ANY  
 REPRODUCTION IN PART OR AS A WHOLE WITHOUT THE  
 WRITTEN PERMISSION OF SUBURBAN MARINE, INC IS  
 PROHIBITED.

REVISIONS			
ZONE	REV.	DESCRIPTION	DATE
	A	INITIAL RELEASE	3/19/2021



UNLESS OTHERWISE SPECIFIED:

DIMENSIONS ARE IN mm

ANGULAR ± 1°

X ± 1.0mm

.X ± 0.4mm

.XX ± 0.1mm

INTERPRET GEOMETRIC  
 TOLERANCING PER: ISO 2768- mK

MATERIAL NONE

FINISH NONE

WEIGHT:

	NAME	DATE
DRAWN	MM	20210319
CHECKED		
APPROVED		
APPROVED		
THIRD ANGLE PROJECTION:		
DO NOT SCALE DRAWING		



TITLE: **BAROMAX EPOXY**

SIZE	DWG. NO.	REV
<b>B</b>	<b>BM-EPOXY-A</b>	<b>A</b>

SCALE: 1:1 SHEET 1 OF 1

8

7

6

5

4

3

2

1