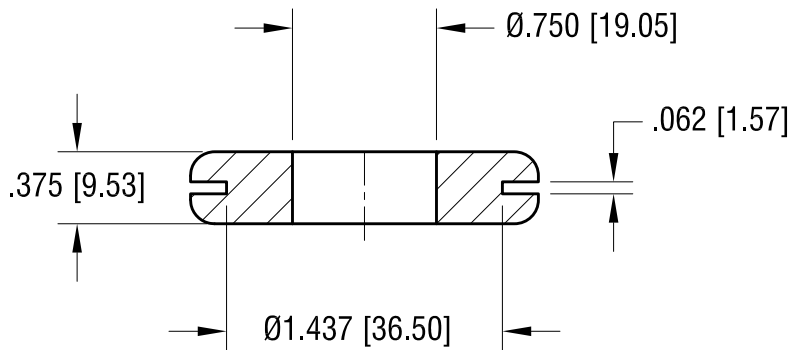
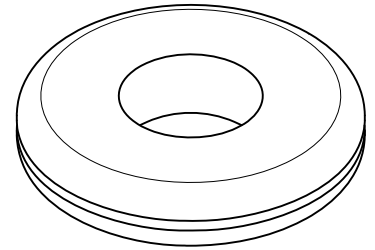
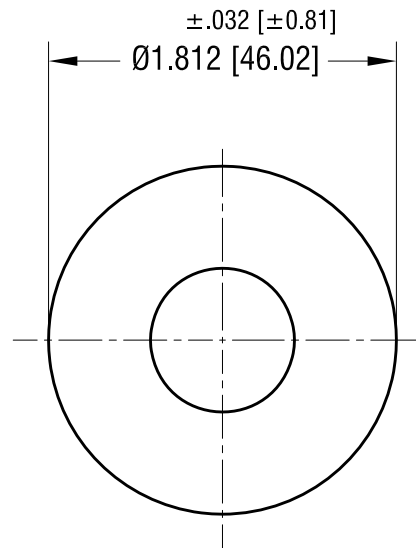


THIS DOCUMENT IS THE PROPERTY OF  
KEYSTONE ELECTRONICS CORP. AND  
SHALL NOT BE REPRODUCED, DISTRIBUTED  
OR USED AS A BASIS FOR MANUFACTURE  
WITHOUT PRIOR WRITTEN PERMISSION  
FROM KEYSTONE ELECTRONICS CORP.

ACTUAL SIZE



**KEYSTONE ELECTRONICS CORP.**

www.keyelco.com • NEW HYDE PARK NY 11040 • Tel (516)328-7500

PART NAME

RUBBER GROMMET

MATERIAL

BUNA 'N'

FINISH

NONE

DRN BY

BOONE

DATE

9.16.96

APP'D

RH

SCALE

1X

TOLERANCES

INCH

[MM]

DECIMAL

± .020 [± 0.50]

CODE

C

ANGULAR

± 1°

UNLESS OTHERWISE SPECIFIED

DWG NO.

756

|          |                          |      |
|----------|--------------------------|------|
| 10.13.21 | CHANGE AS PER ECN 21-118 | B    |
| 1.02.08  | CHANGE AS PER ECN 08-009 | A    |
| DATE     | DESCRIPTION              | REV. |