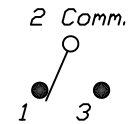
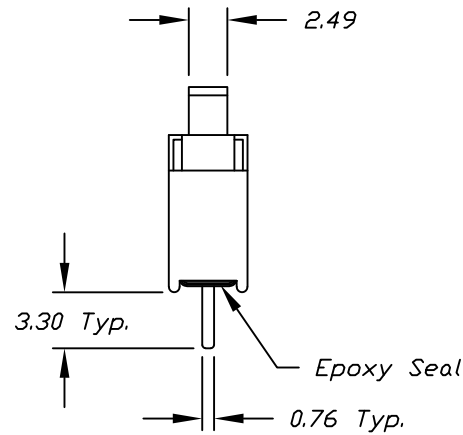
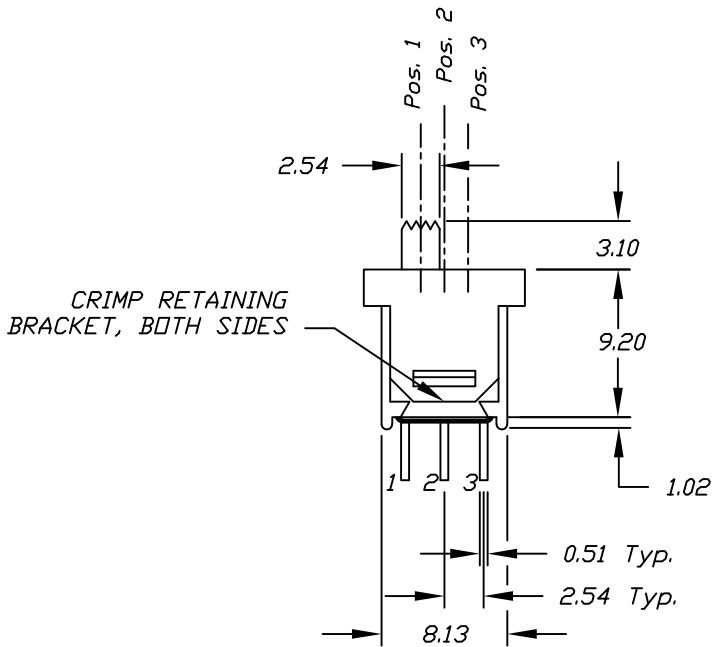


RECOMMEND P.C.B. LAYOUT



CIRCUIT: SPDT  
CONTACT CONFIGURATION

SWITCH FUNCTION		
POS. 1	POS. 2	POS. 3
ON	NONE	ON
2-1	OPEN	2-3

- NOTES:  
 1. ALL DIMENSIONS IN MM  
 2. TERM. NOS. FOR REF. ONLY  
 3. RATING: 0.4VA MAX. @20VAC OR DC MAX.  
 4. CRIMP METAL RETAINING BRACKET

TOLERANCES	±0.4	±0.25
	0.0	0.00

**E-SWITCH®**

C	DIM FROM 8.79 TO 9.20	10/30/18	MJR
B	CREATED NOTES	7/5/05	JB
REV.	DESCRIPTION	DATE	CHKD

TITLE				500A SSP-1 M2 R E			
SCALE	DATE	DR	DWG	REV			
2:1	9/3/97	MM	T511000	C			

THE INFORMATION CONTAINED IN THIS DOCUMENT IS PROPRIETARY TO E-SWITCH AND IS NOT TO BE COPIED OR TRANSFERRED