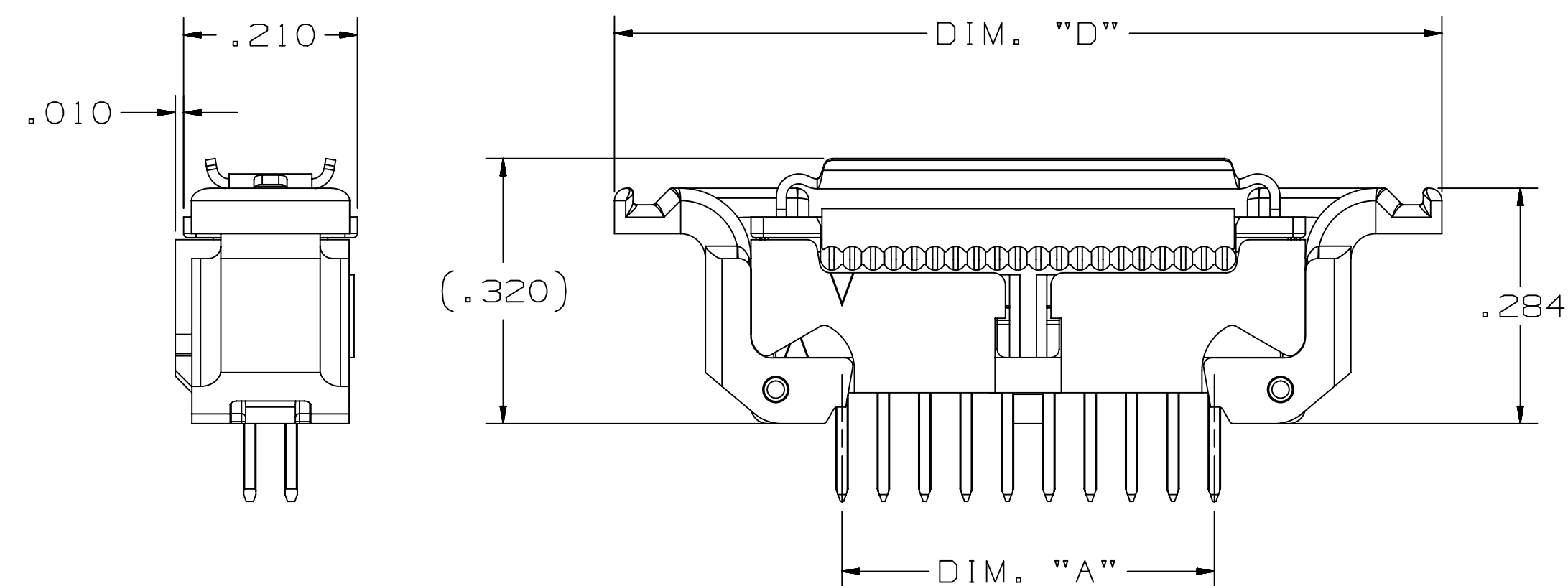
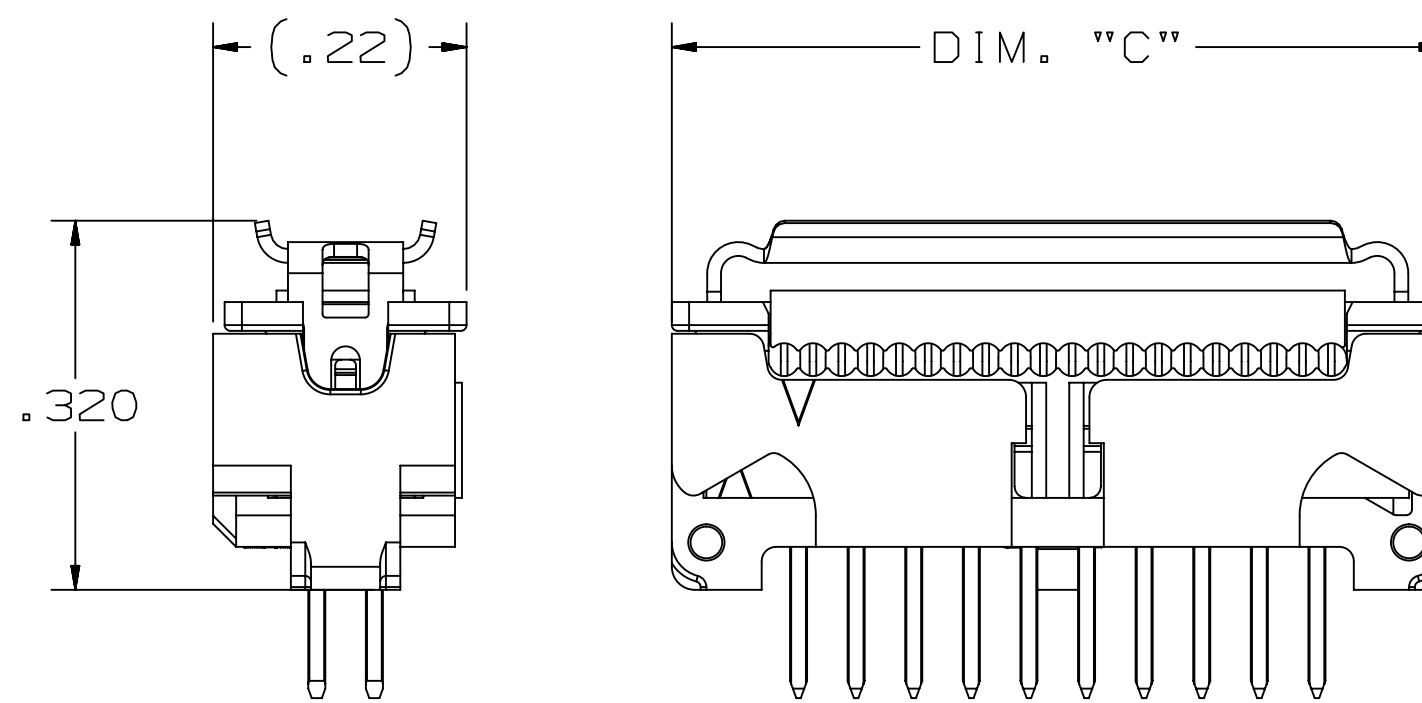


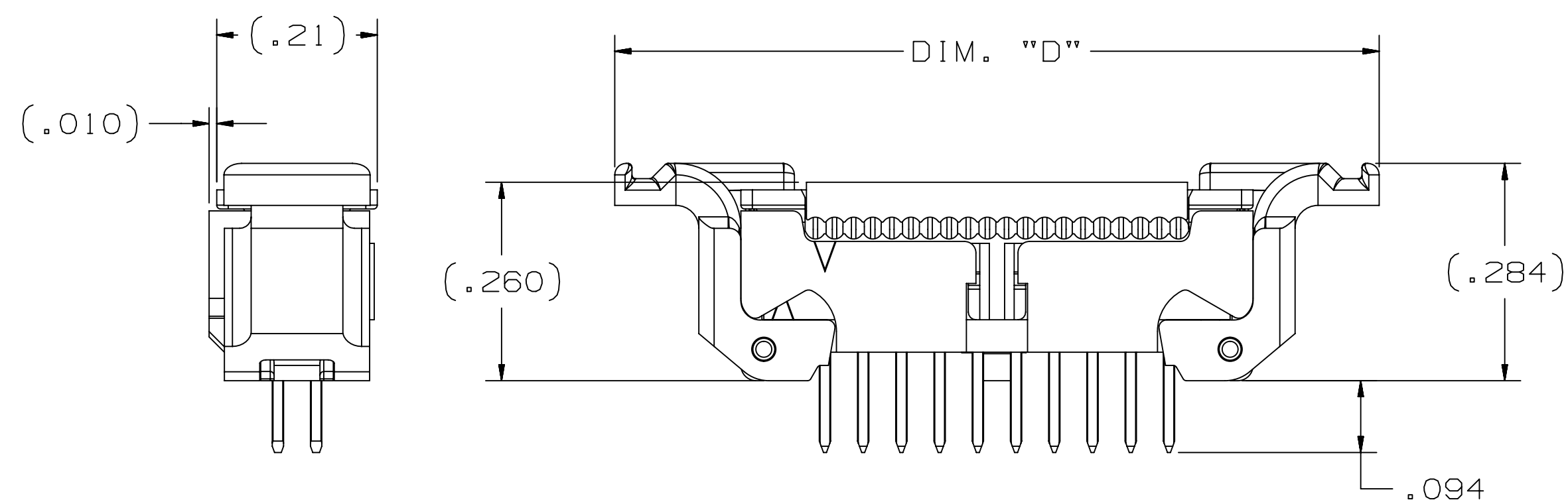
3M™ WIRE-TO-BOARD SYSTEM, 451 SOCKET AND 452 HEADER SERIES  
 1.27mm (0.050"), 450 SERIES MATED



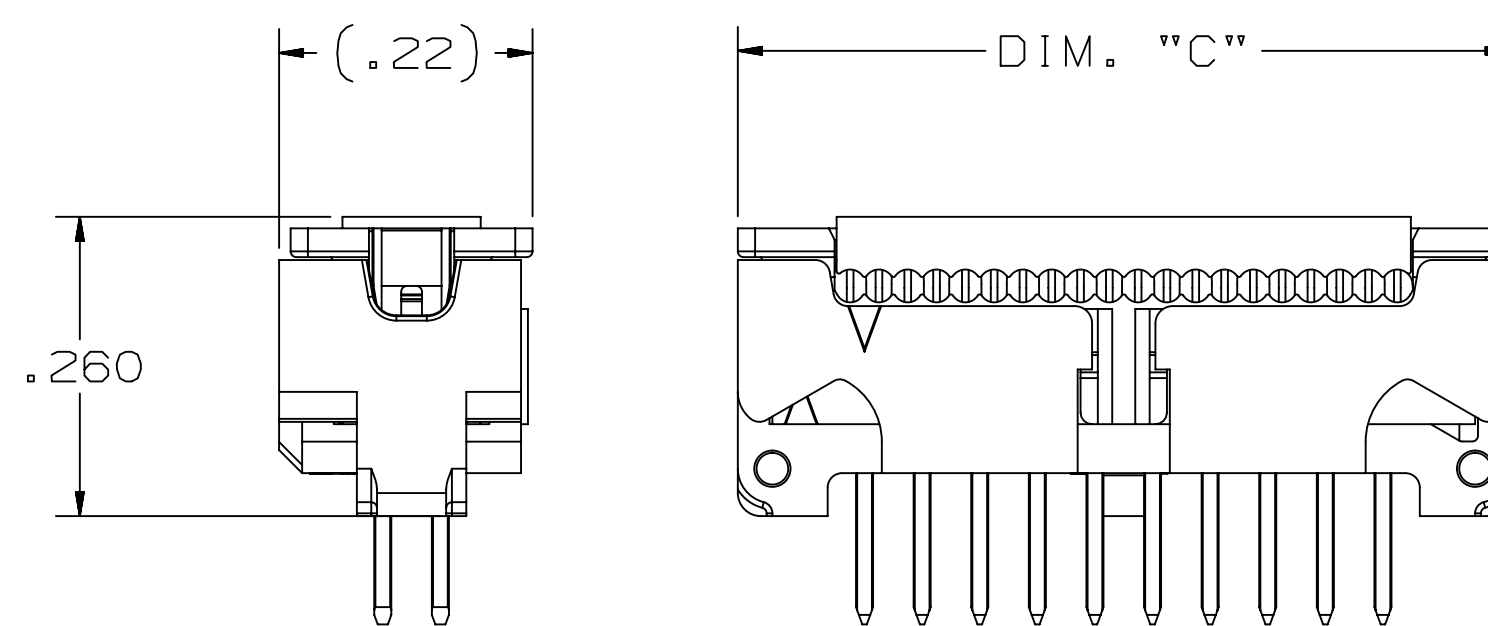
VERTICAL HEADER & SOCKET ASSEMBLY  
 WITH LOW PROFILE LATCHES & STRAIN RELIEF



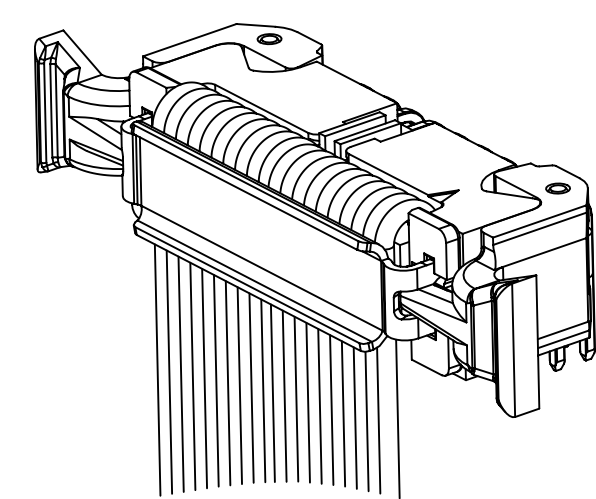
VERTICAL HEADER & SOCKET ASSEMBLY  
 NO LATCHES WITH STRAIN RELIEF



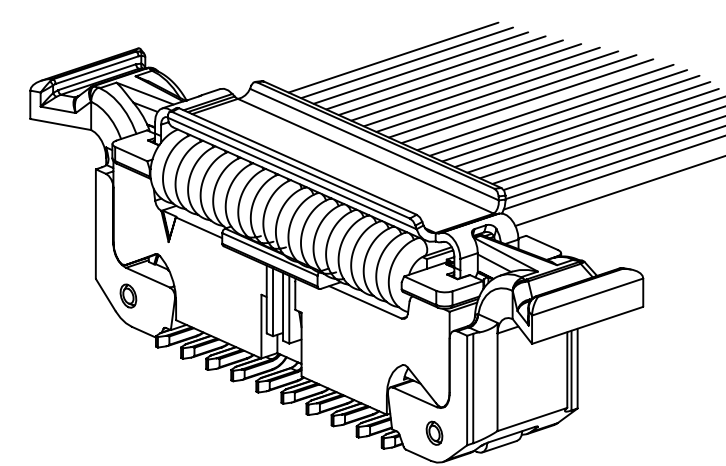
VERTICAL HEADER & SOCKET ASSEMBLY  
 WITH LATCHES NO STRAIN RELIEF



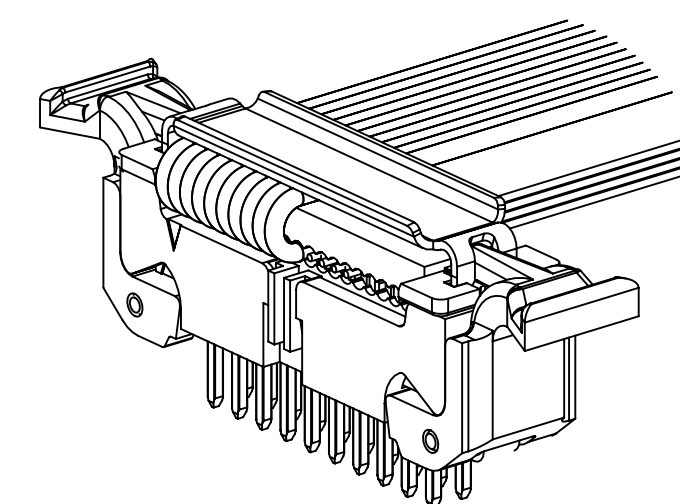
VERTICAL HEADER & SOCKET ASSEMBLY  
 NO LATCHES NO STRAIN RELIEF



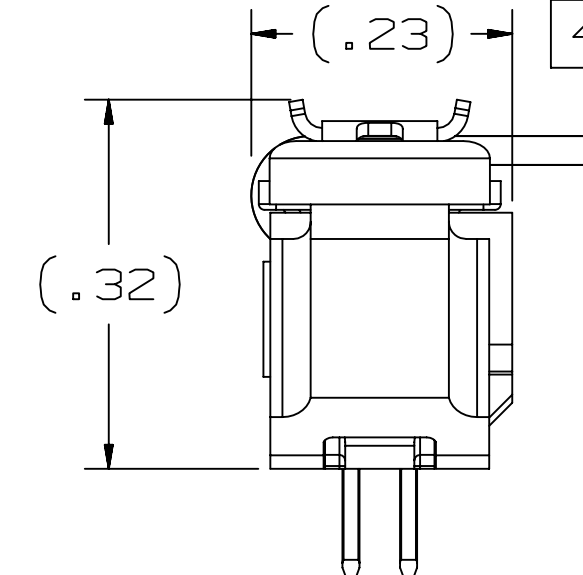
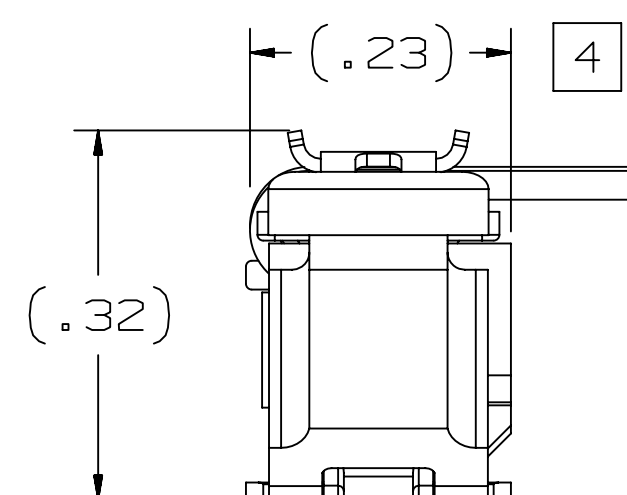
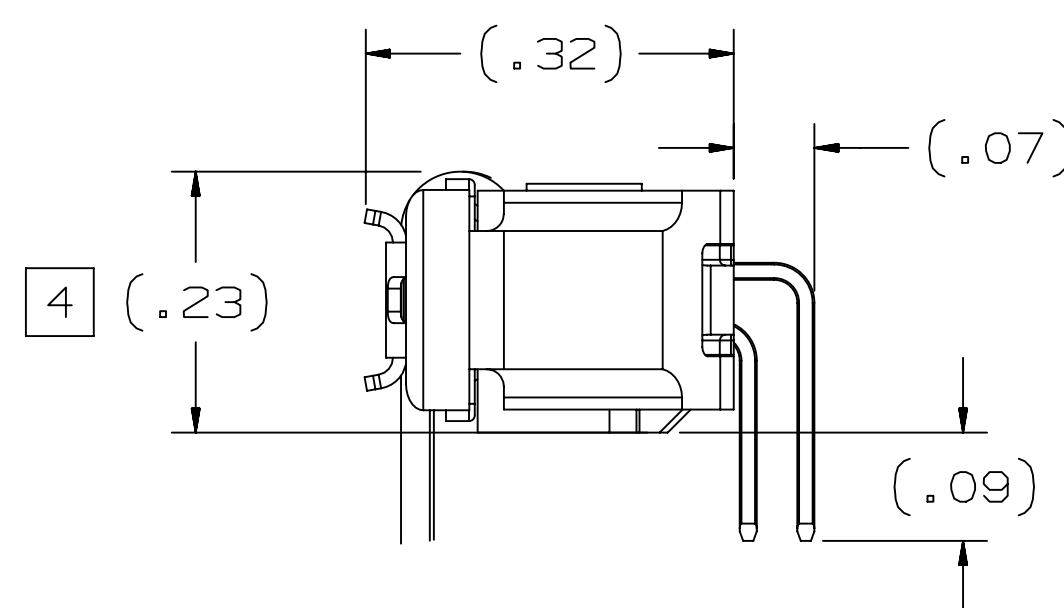
RIGHT ANGLE ASSEMBLY  
 452XX-5X02



SURFACE MOUNT ASSEMBLY  
 452XX-2X02



VERTICAL ASSEMBLY  
 452XX-6X02



No. Positions	Dim "A"	Dim "C"	Dim "D"
4	.050	.270	.600
6	.100	.320	.650
8	.150	.370	.700
10	.200	.420	.750
12	.250	.470	.800
14	.300	.520	.850
16	.350	.570	.900
20	.450	.670	1.00
26	.600	.820	1.150
30	.700	.920	1.250
40	.950	1.170	1.500
50	1.200	1.420	1.750

- NOTES
1. IN THE EVENT OF CONFLICT BETWEEN THIS DATA AND THAT CONTAINED IN THE PRODUCT SPECIFICATION, THE PRODUCT SPECIFICATION TAKES PRECEDENT.
  2. REGULATORY INFORMATION: VISIT 3M.com/regs
  3. OTHER PIN COUNTS AVAILABLE UPON REQUEST. CONTACT 3M.
  4. DIMENSIONS ARE TAKEN FROM EDGE OF CABLE TO SIDE OF CONNECTOR.
  5. MATING COMPATIBILITY:  
 3M™ (1.27mm [0.050"])  
 TECH SHEETS:  
 451 SOCKET = TS-2436  
 452 HEADER = TS-2437

3M ELECTRONICS MATERIALS SOLUTIONS DIVISION  
 INTERCONNECT SOLUTIONS  
<http://www.3M.com/interconnect>

3M IS A TRADEMARK OF 3M COMPANY.  
 FOR TECHNICAL, SALES OR ORDERING  
 INFORMATION CALL 800-225-5373

78-5100-2437-1  
 78-5100-2436-3

DESIGN REFERENCE NEXT ASSEMBLY

DRFT ARM DATE FEB 11,2011 MFG DATE DATE

CHKD DATE

APPRV S. NEU DATE FEB 11,2011

DIVISION DIVISION CODE

EMSD

DO NOT SCALE DRAWING

SCALE 6/1

TOLERANCES EXCEPT AS NOTED

INCHES

.00 ± .01

.00 ± .02

.000 ± .010

.0000 ± .005

THIRD ANGLE PROJECTION

INTERPRET PER ASME Y14.5 - 2018

MAX. SURFACE ROUGHNESS

ALL SURFACES

0 ±

.00 ±

.000 ±

MARKED ONLY ANGLES

REV	ECO	ISSUE DATE AND DESCRIPTION	DRFT	CHKD
E	100200	OCT 19,2021 ADD POS 26, 40, 50	JNC	SAN
D	92270	AUG 19,2020 REVISE NOTES	JNC	SAN
C	51884	JAN 08,2014 UPDATE TITLE, ADD DESIGN REFS	SJS	SAN
B	48635	JUL 12,2013 MATCH TEXT FONTS & ADD NOTE 4	JNC	SN
A	46797	MAR 25,2013 PRODUCTION RELEASE	JNC	SAN

REV ECO ISSUE DATE AND DESCRIPTION DRFT CHKD

APPRV S. NEU DATE FEB 11,2011

DIVISION DIVISION CODE

EMSD

DO NOT SCALE DRAWING

SCALE 6/1

TOLERANCES EXCEPT AS NOTED

INCHES

.00 ± .01

.00 ± .02

.000 ± .010

.0000 ± .005

THIRD ANGLE PROJECTION

INTERPRET PER ASME Y14.5 - 2018

MAX. SURFACE ROUGHNESS

ALL SURFACES

0 ±

.00 ±

.000 ±

MARKED ONLY ANGLES

3M Center St. Paul, MN 55144

© 3M COPYRIGHT 2021 This document and the information it contains are 3M property and may not be reproduced or further distributed without 3M permission, or used or disclosed other than for 3M authorized purposes. All rights reserved.

TITLE WIRE TO BOARD SYSTEM, .05 X .05, MATED DIM'S, 450 SERIES

CAGE NUMBER D78-5100-2396-9

MODEL 451 AND 452

REV. E

SHT 1 OF 2

3M™ WIRE-TO-BOARD SYSTEM, 451 SOCKET AND 452 HEADER SERIES  
 1.27mm (0.050"), 450 SERIES MATED

**Regulatory:** For regulatory information about this product, visit 3M.com/regs or contact your 3M representative.


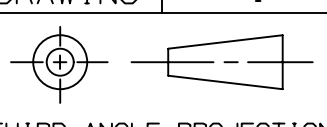
**Technical Information:** The technical information, recommendations and other statements contained in this document are based upon tests or experience that 3M believes are reliable, but the accuracy or completeness of such information is not guaranteed.

**Product Use:** Many factors beyond 3M's control and uniquely within user's control can affect the use and performance of a 3M product in a particular application. Given the variety of factors that can affect the use and performance of a 3M product, user is solely responsible for evaluating the 3M product and determining whether it is fit for a particular purpose and suitable for user's method of application.

**Warranty, Limited Remedy, and Disclaimer:** Unless an additional warranty is specifically stated on the applicable 3M product packaging or product literature, 3M warrants that each 3M product meets the applicable 3M product specification at the time 3M ships the product. 3M MAKES NO OTHER WARRANTIES OR CONDITIONS, EXPRESS OR IMPLIED, INCLUDING, BUT NOT LIMITED TO, ANY IMPLIED WARRANTY OR CONDITION OF MERCHANTABILITY OR FITNESS FOR A PARTICULAR PURPOSE OR ANY IMPLIED WARRANTY OR CONDITION ARISING OUT OF A COURSE OF DEALING, CUSTOM OR USAGE OR TRADE. If the 3M product does not conform to this warranty, then the sole and exclusive remedy is, at 3M's option, replacement of the 3M product or refund of the purchase price.

**Limitation of Liability:** Except where prohibited by law, 3M will not be liable for any loss or damage arising from the 3M product, whether direct, indirect, special, incidental or consequential, regardless of the legal theory asserted, including warranty, contract, negligence or strict liability.

3M Company  
 Electronics Materials Solutions Division  
 13011 McCallen Pass, Bldg. C  
 Austin, TX 78753-5380  
 1-800-225-5373  
 www.3M.com/interconnect

78-5100-2437-1 78-5100-2436-3		DESIGN REFERENCE		NEXT ASSEMBLY	
APPROVED	DATE	APPROVED	DATE	APPROVED	DATE
DRFT	FEB 11, 2011	MFG		DATE	
ARM					
CHKD		APPRV	S. NEU	DATE	FEB 11, 2011
DIVISION		DIVISION CODE		EMSD	
DO NOT SCALE DRAWING	SCALE	TOLERANCES EXCEPT AS NOTED		 3M Center St. Paul, MN 55144 © 3M COPYRIGHT 2021 This document and the information it contains are 3M property and may not be reproduced or further distributed without 3M permission, or used or disclosed other than for 3M authorized purposes. All rights reserved.	
THIRD ANGLE PROJECTION		INCHES .0 ± .1 .00 ± .02 .000 ± .010 .0000 ± .005		MILLIMETERS 0 ± .0 ± .00 ± .000 ±	
INTERPRET PER ASME Y14.5 - 2018		MAX. SURFACE ROUGHNESS		CAGE NUMBER D 78-5100-2396-9 MODEL 451 AND 452	
<input type="checkbox"/> MARKED SURFACES <input checked="" type="checkbox"/> MARKED ONLY		ANGLE ±		REV. E SHT 2 OF 2	

REV	ECO	ISSUE DATE AND DESCRIPTION	DRFT	CHKD
E	100200	OCT 19, 2021 ADD POS 26, 40, 50	JNC	SAN
D	92270	AUG 19, 2020 REVISE NOTES	JNC	SAN
C	51884	JAN 08, 2014 UPDATE TITLE, ADD DESIGN REFS	SJS	SAN
B	48635	JUL 12, 2013 MATCH TEXT FONTS & ADD NOTE 4	JNC	SN
A	46797	MAR 25, 2013 PRODUCTION RELEASE	JNC	SAN

78-5100-2396-9  
DRAWING NUMBER