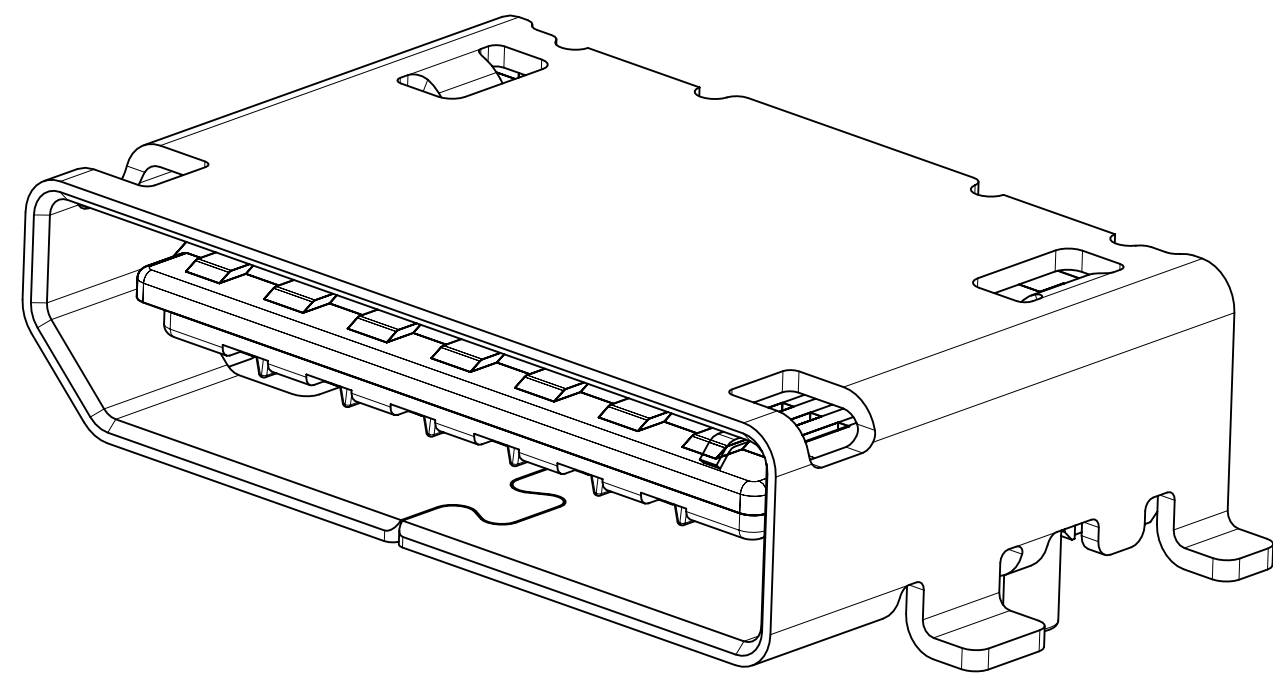
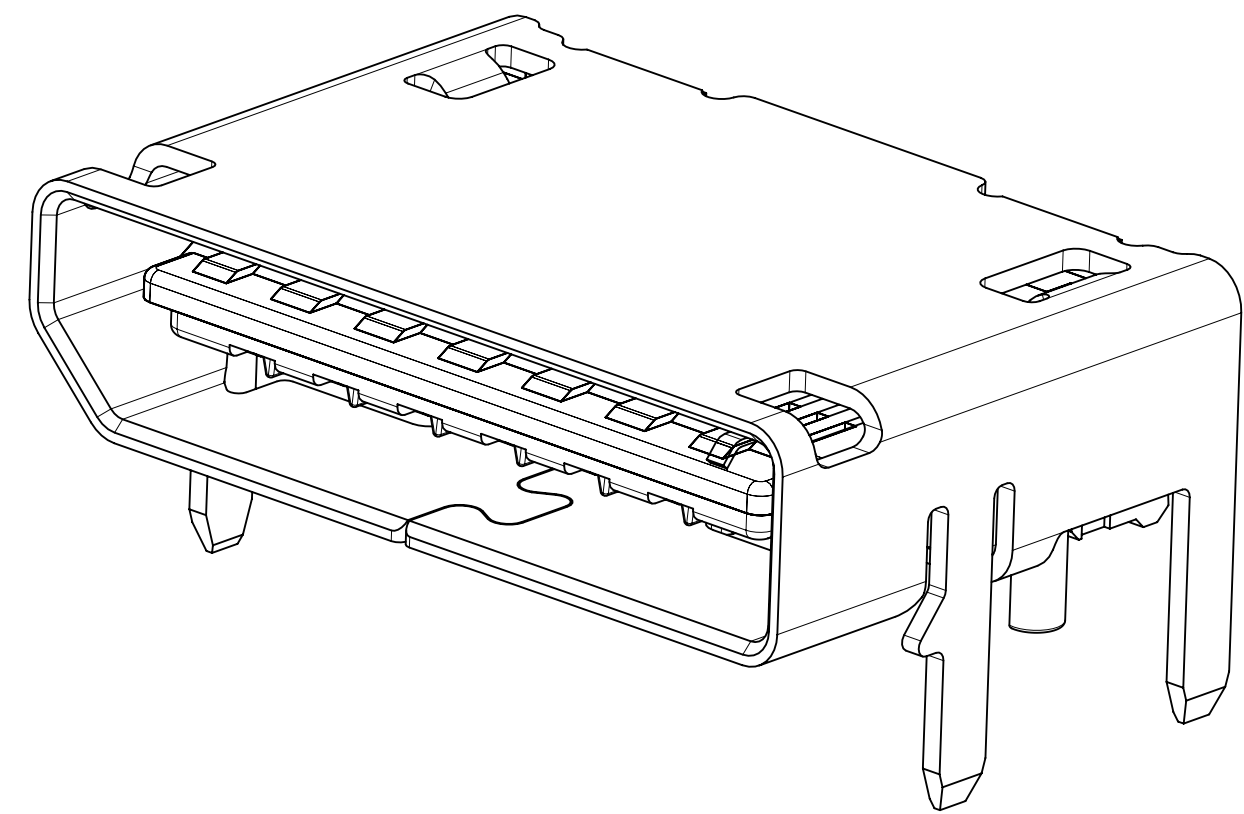


42 CIRCUIT SMT SHELL



42 CIRCUIT THRU HOLE SHELL



NOTES:

- MATERIALS:**
HOUSING - LCP, GLASS FILLER THERMOPLASTIC, 94V-0
CONTACTS - HIGH PERFORMANCE COPPER ALLOY
SHIELD - STAINLESS STEEL
- FINISH:**
CONTACTS - 0.76µm MIN. GOLD MATING SIDE
0.05µm GOLD FLASH ON SOLDER TAILS
1.27µm MIN. NICKEL UNDERPLATE OVERALL

SHIELD - MATTE TIN OVER 1.27µm MIN. NICKEL
- PRODUCT SPECIFICATION:** PS-173162-0001
- PACKAGING SPECIFICATION:** PK-173307-0001
- MATES WITH:** MOLEX CABLE SERIES 100436
PER INDUSTRY STANDARD PCIe OCuLink OR SFF-8612
- APPLICATION SPECIFICATION:** AS-173162-0001
- COSMETIC SPECIFICATION:** PS-45499-002 CALASS B

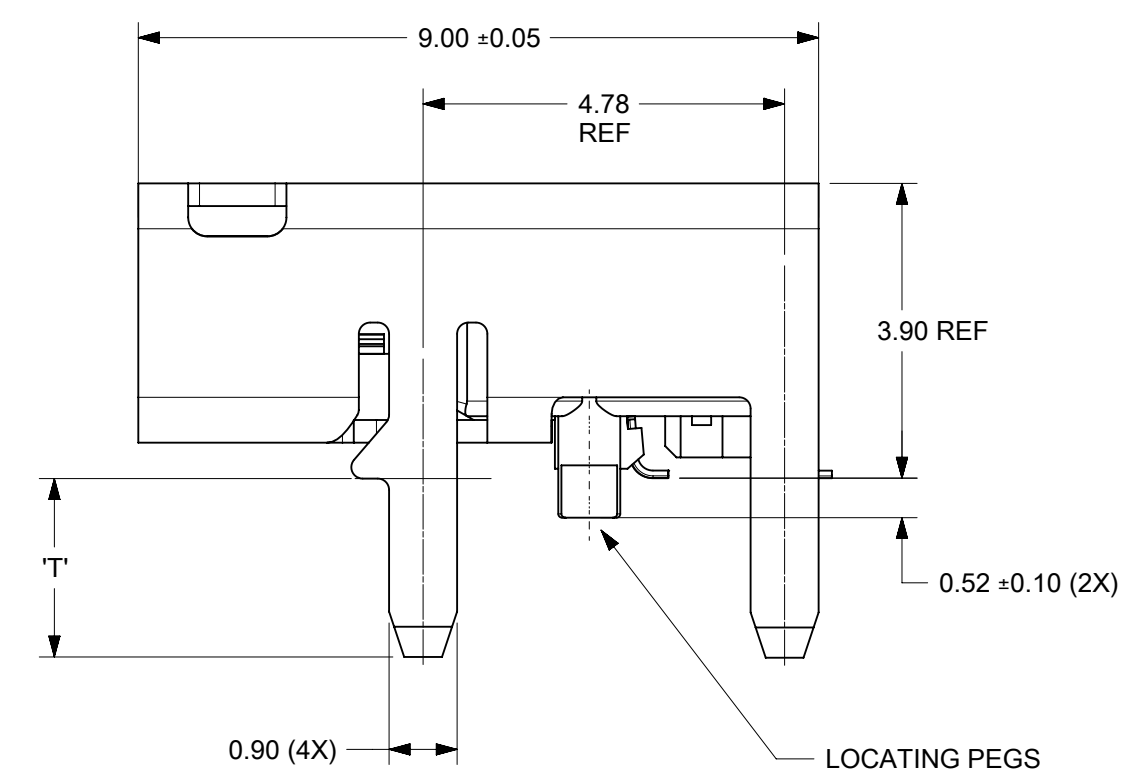
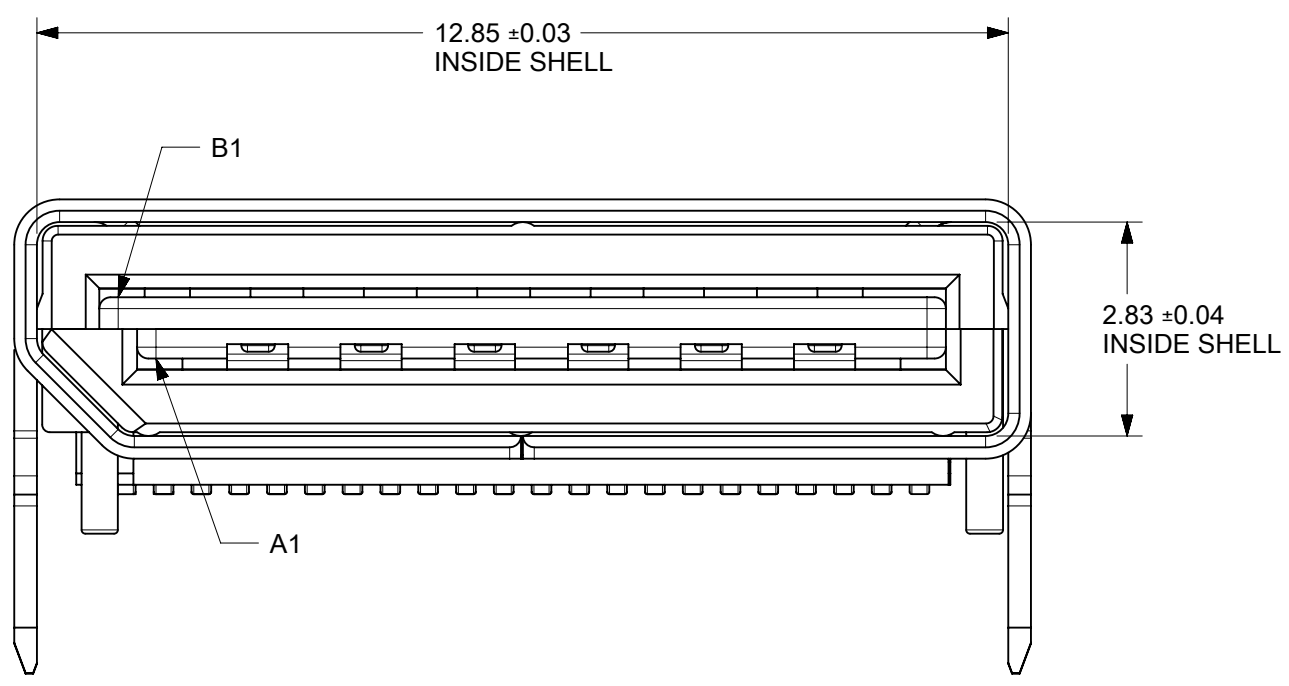
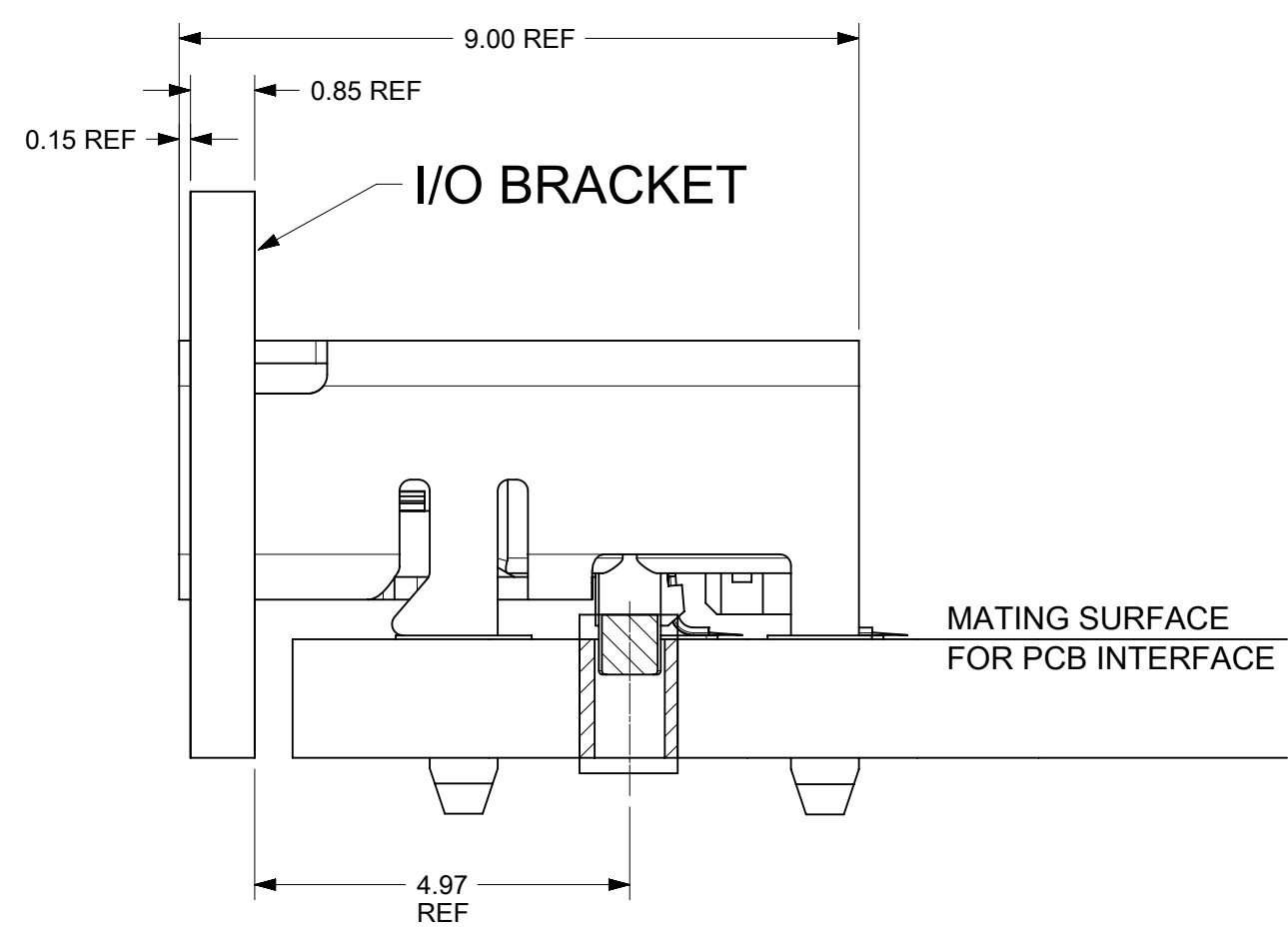
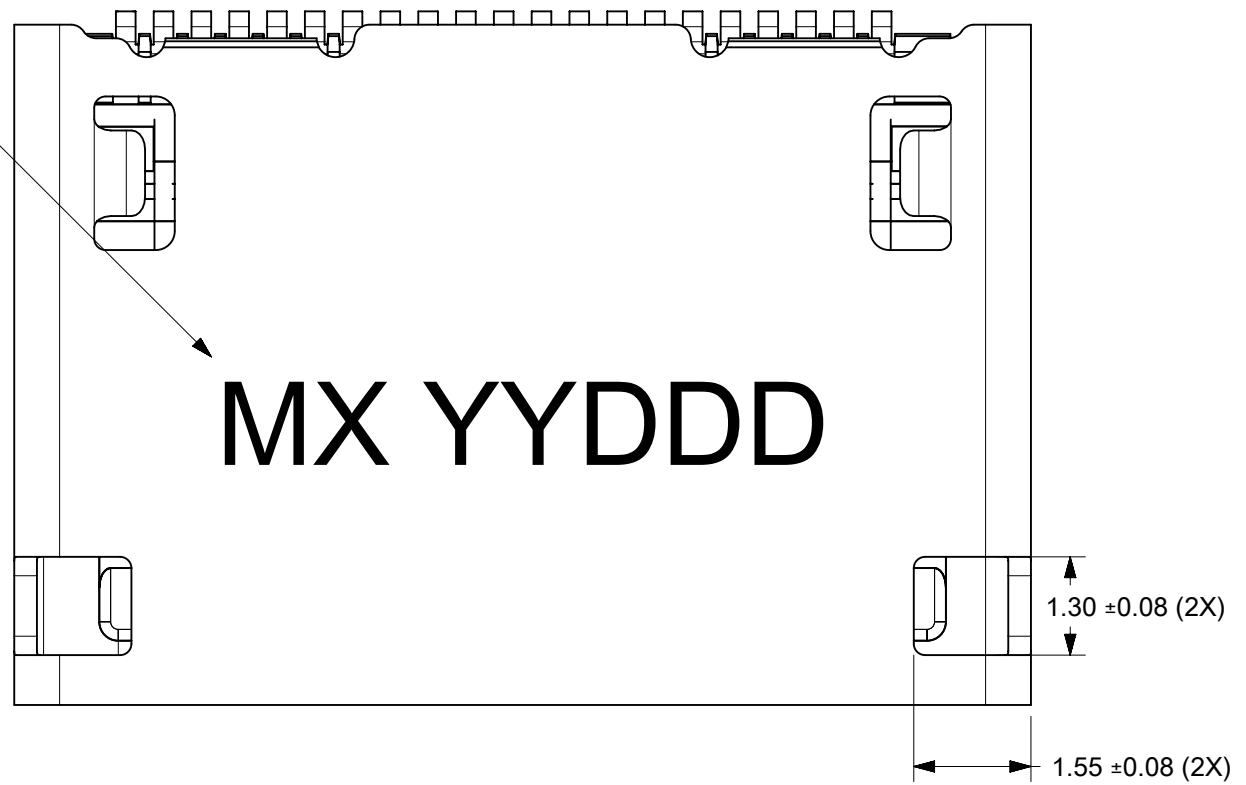
STATUS	MATERIAL NUMBER	SHELL ATTACH OPTION	DIM 'T'
TOOLED	171982-0142	SMT	-
TOOLED	171982-1142	TH	3
TOOLED	171982-2142	TH	2.36
TOOLED	171982-3142	TH	1.57

FUNCTIONAL SYMBOLS $\nabla_A = 0$ $\nabla_C = 0$ $\nabla_P = 0$ DIVISIONAL SYMBOLS	THIS DRAWING CONTAINS INFORMATION THAT IS PROPRIETARY TO MOLEX ELECTRONIC TECHNOLOGIES, LLC AND SHOULD NOT BE USED WITHOUT WRITTEN PERMISSION										
	DIMENSION UNITS mm SCALE 10:1	CURRENT REV DESC:							NANO-PITCH I/O RIGHT ANGLE 4X		
	GENERAL TOLERANCES (UNLESS SPECIFIED) ANGULAR TOL ± 0.5° 4 PLACES ± 3 PLACES ± 2 PLACES ± 0.13 1 PLACE ± 0.25 0 PLACES ±	EC NO: 701025 DRWN: ABELD2 2022/03/25 CHK'D: JKACHLIC 2022/03/31 APPR: JKACHLIC 2022/03/31									
	DRAFT WHERE APPLICABLE MUST REMAIN WITHIN DIMENSIONS	THIRD ANGLE PROJECTION 	DRAWING C-SIZE	SERIES 171982	INITIAL REVISION: DRWN: MJANTELEZIO 2015/10/21 APPR: MBANAKIS 2015/11/09	DOCUMENT NUMBER SD-171982-1000	DOC TYPE PSD	DOC PART 001	REVISION J3	MATERIAL NUMBER CUSTOMER GENERAL MARKET	SHEET NUMBER 1 OF 6

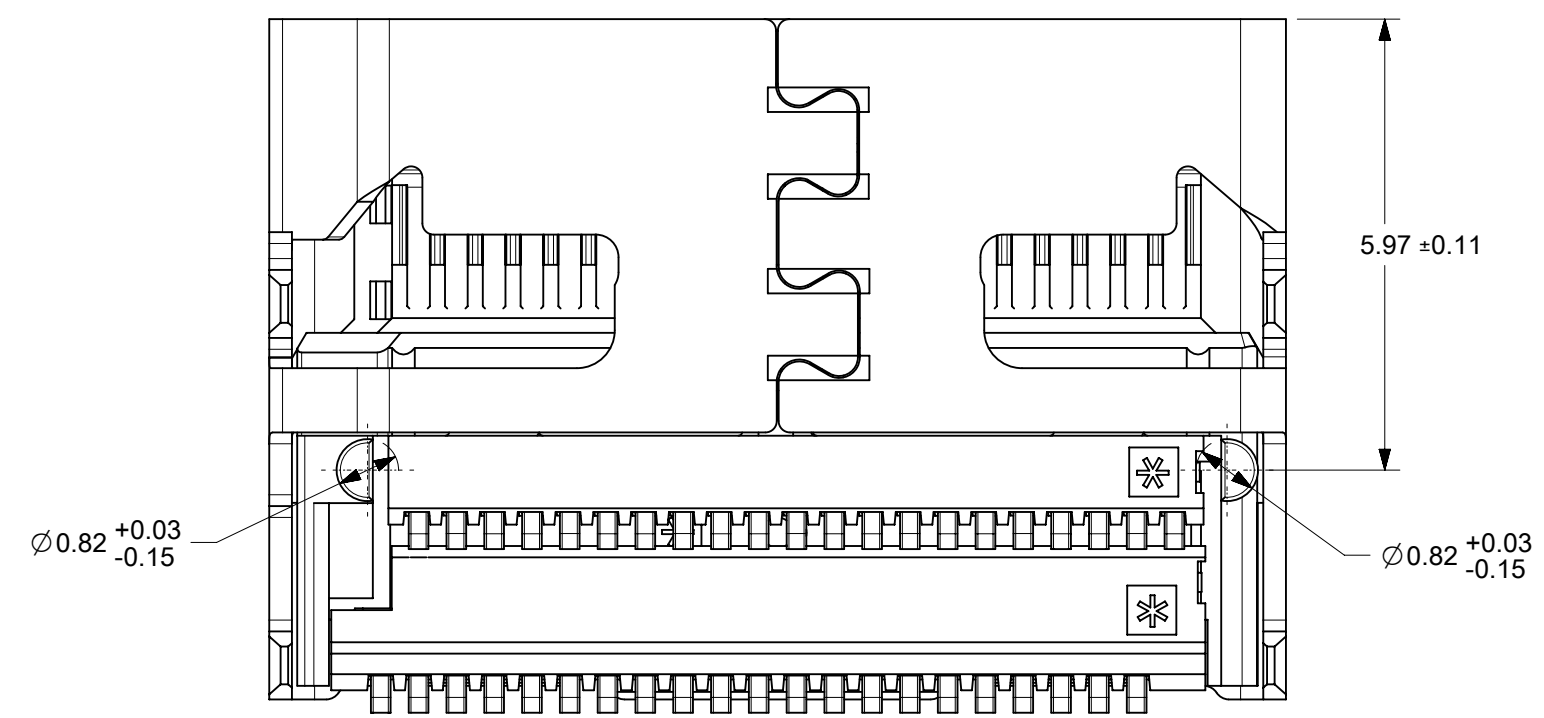
42 CIRCUIT TH ASSEMBLY

EXTERNAL

SEE NOTE #1

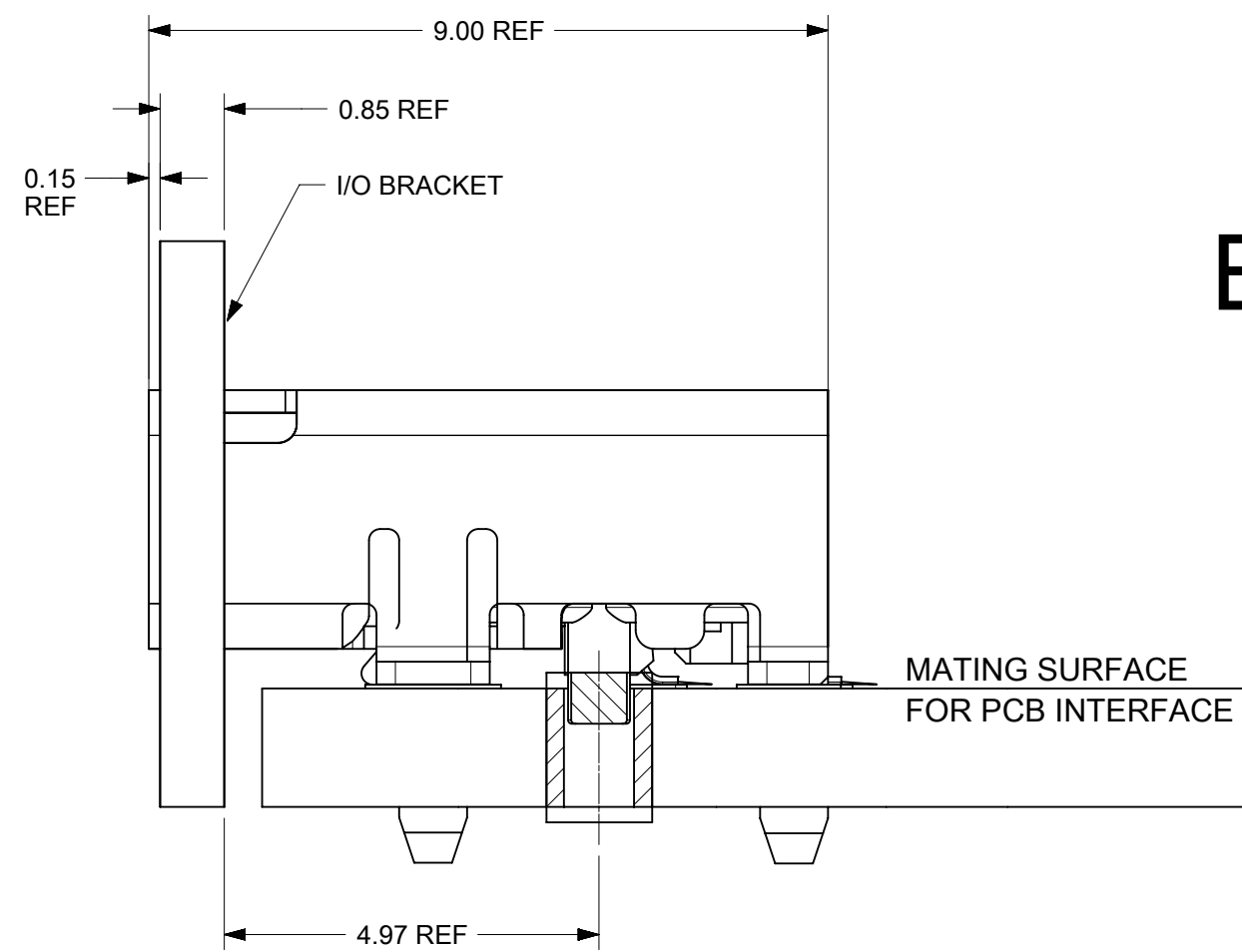
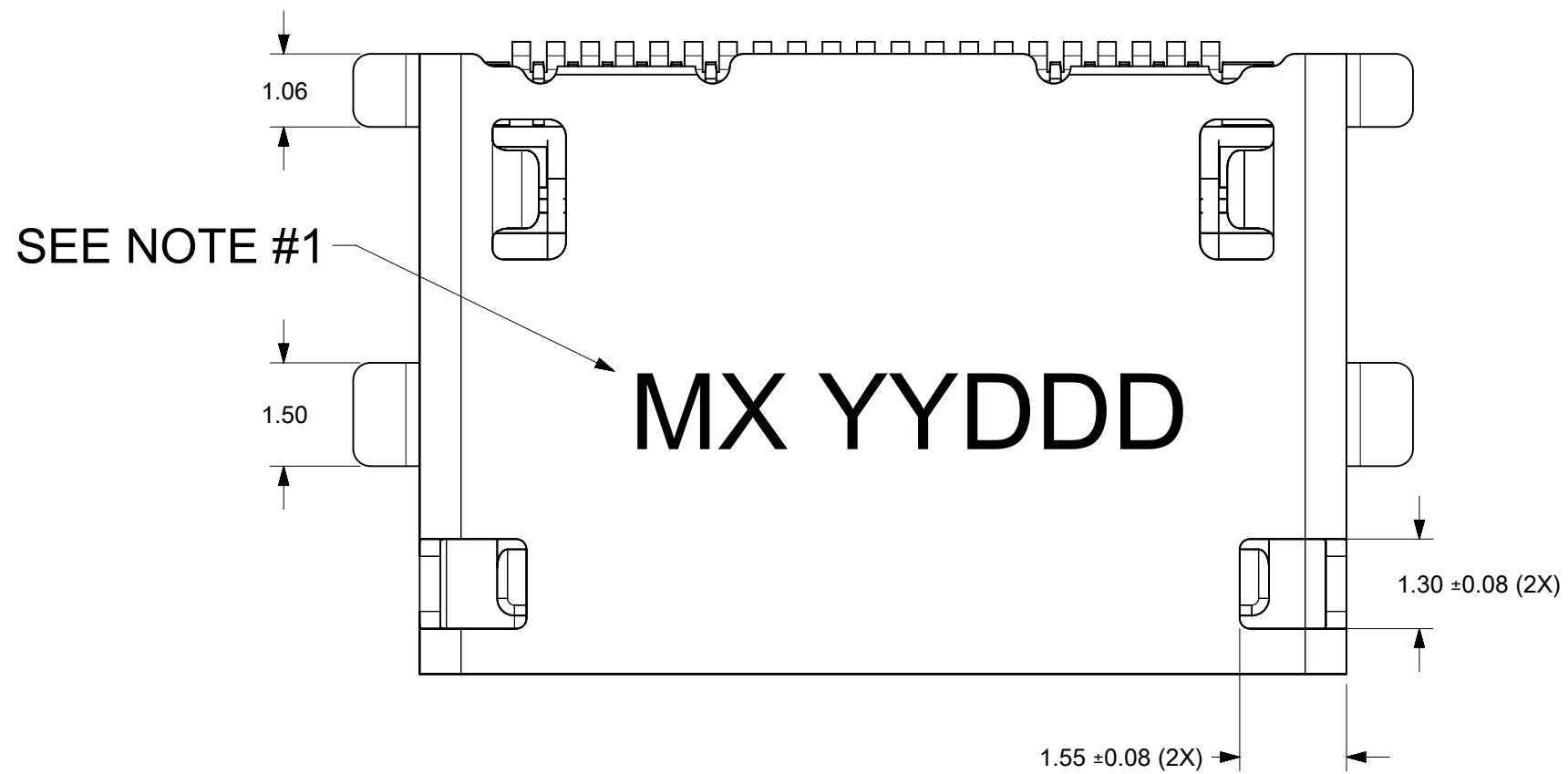


- NOTES:
- MANUFACTURED DATE CODE (JULIAN CALENDAR) MX YYDDD
 - DAY OF THE YEAR
 - LAST TWO DIGITS OF THE YEAR
 - MOLEX
 - SOLDER TAIL COPLANARITY 0.10 MAX

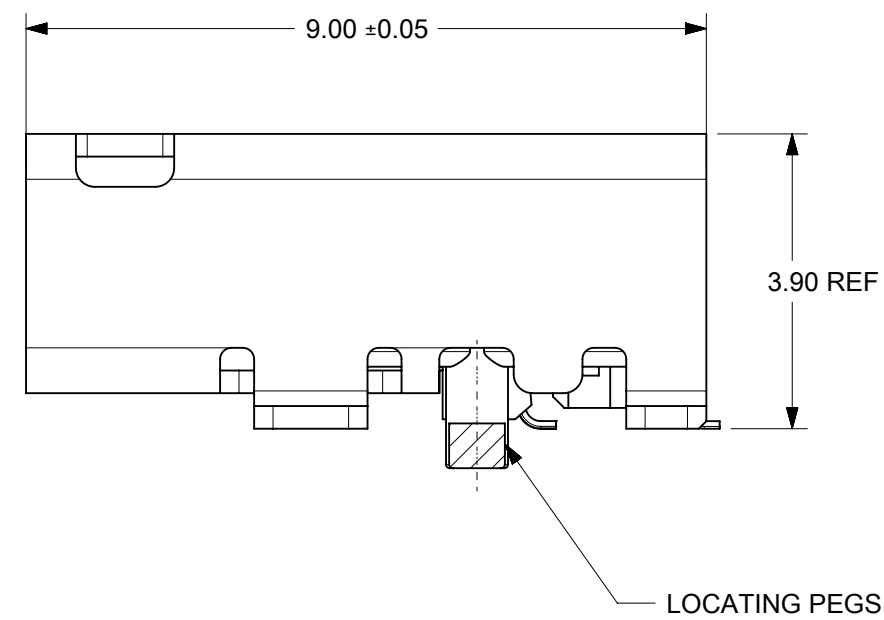
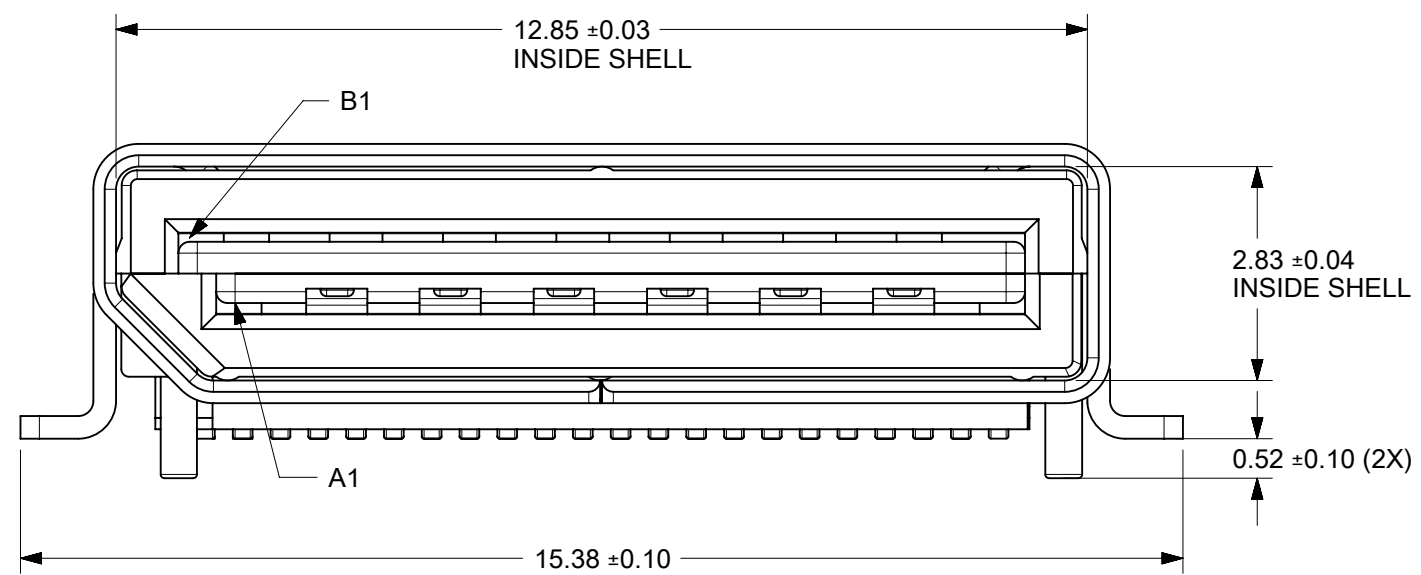


FUNCTIONAL SYMBOLS	THIS DRAWING CONTAINS INFORMATION THAT IS PROPRIETARY TO MOLEX ELECTRONIC TECHNOLOGIES, LLC AND SHOULD NOT BE USED WITHOUT WRITTEN PERMISSION		CURRENT REV DESC:		molex		
	DIMENSION UNITS	SCALE					
FA = 0	mm	10:1			NANO-PITCH I/O RIGHT ANGLE 4X		
EA = 0	GENERAL TOLERANCES (UNLESS SPECIFIED)						
EP = 0	ANGULAR TOL ± 0.5°				PRODUCT CUSTOMER DRAWING		
DIVISIONAL SYMBOLS	4 PLACES	±	EC NO: 701025	2022/03/25			
	3 PLACES	±	DRWN: ABELD2	2022/03/31			
	2 PLACES	± 0.13	CHK'D: JKACHLIC	2022/03/31			
	1 PLACE	± 0.25	APPR: JKACHLIC	2022/03/31			
0 PLACES	±	INITIAL REVISION:	2015/10/21	DOCUMENT NUMBER	DOC TYPE	DOC PART	REVISION
DRAFT WHERE APPLICABLE MUST REMAIN WITHIN DIMENSIONS		THIRD ANGLE PROJECTION	DRAWING	SERIES	MATERIAL NUMBER	CUSTOMER	SHEET NUMBER
			C-SIZE	171982	SD-171982-1000	GENERAL MARKET	1
							2 OF 6

42 CIRCUIT SMT ASSEMBLY



EXTERNAL



NOTES:

1. MANUFACTURED DATE CODE (JULIAN CALENDAR)

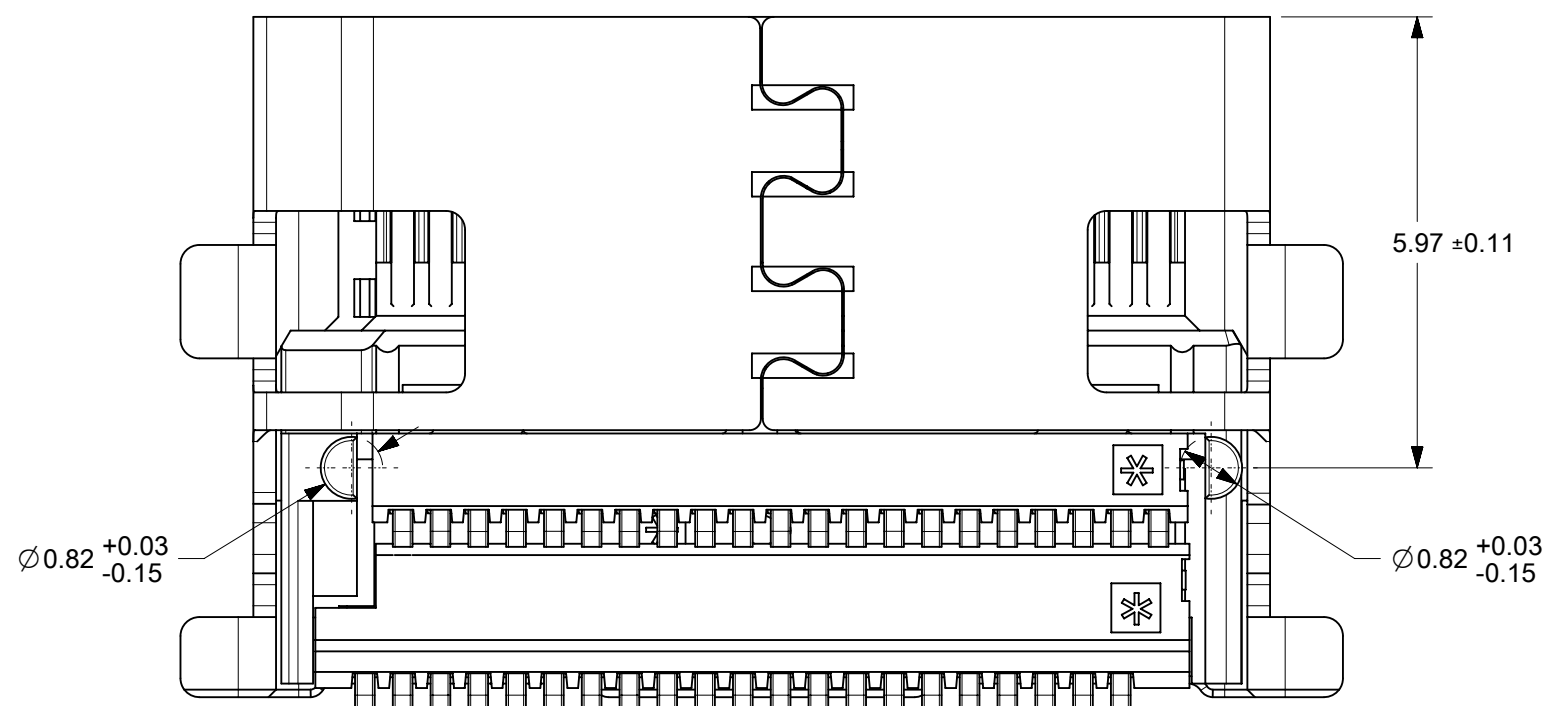
MX YYDDD

DAY OF THE YEAR

LAST TWO DIGITS OF THE YEAR

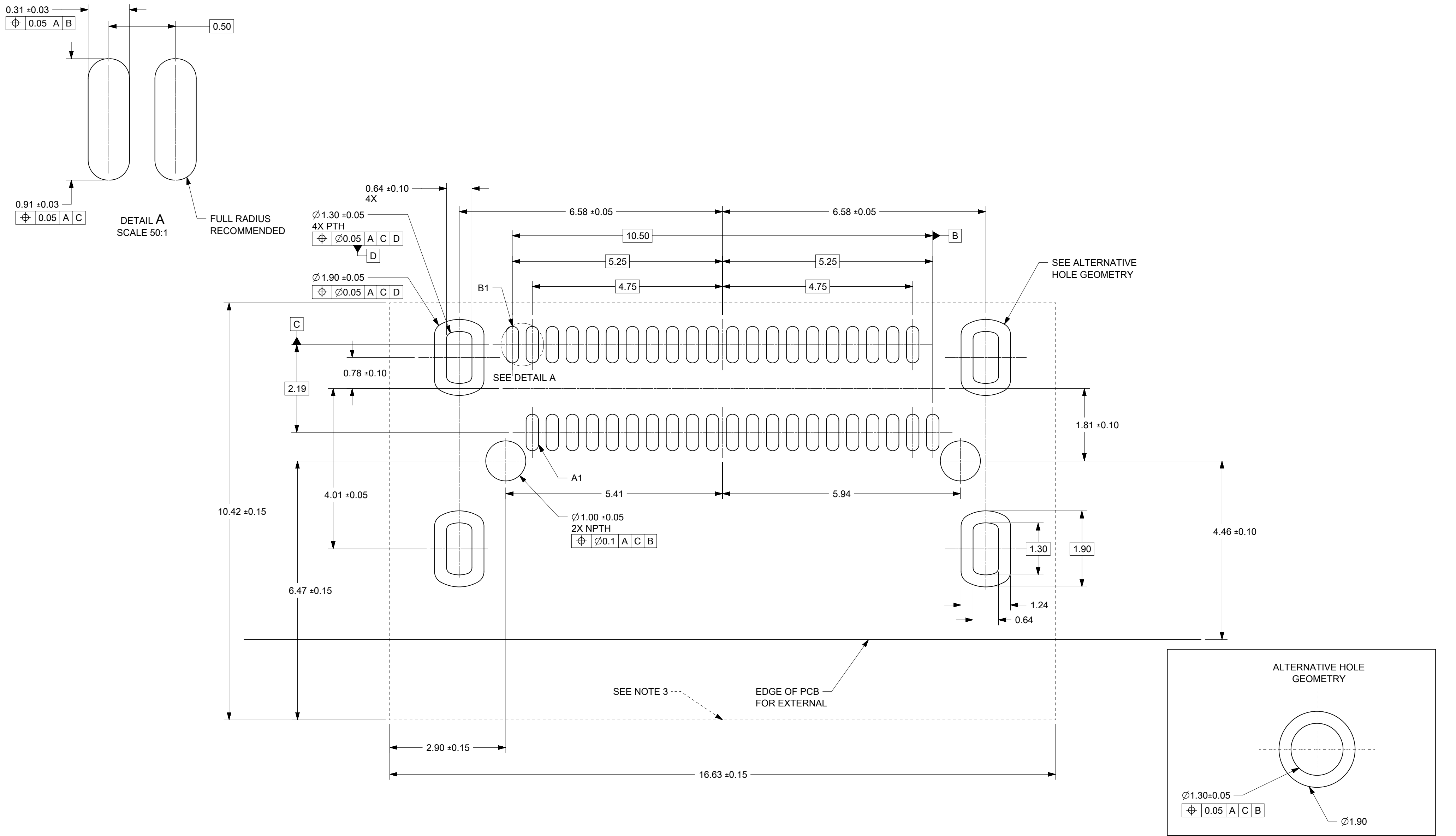
MOLEX

2. SOLDER TAIL COPLANARITY 0.10 MAX



FUNCTIONAL SYMBOLS	THIS DRAWING CONTAINS INFORMATION THAT IS PROPRIETARY TO MOLEX ELECTRONIC TECHNOLOGIES, LLC AND SHOULD NOT BE USED WITHOUT WRITTEN PERMISSION										
	DIMENSION UNITS	SCALE	CURRENT REV DESC:								
∅ = 0	mm	10:1	EC NO: 701025								
∅ = 0	GENERAL TOLERANCES (UNLESS SPECIFIED)		DRWN: ABELD2 2022/03/25							RIGHT ANGLE 4X	
∅ = 0	ANGULAR TOL ± 0.5°		CHK'D: JKACHLIC 2022/03/31							PRODUCT CUSTOMER DRAWING	
DIVISIONAL SYMBOLS	4 PLACES ±	APPR: JKACHLIC 2022/03/31							DOCUMENT NUMBER		
	3 PLACES ±	INITIAL REVISION:							DOC TYPE		
	2 PLACES ± 0.13	DRWN: MJANTELEZIO 2015/10/21							DOC PART		
	1 PLACE ± 0.25	APPR: MBANAKIS 2015/11/09							REVISION		
0 PLACES ±	DRAFT WHERE APPLICABLE MUST REMAIN WITHIN DIMENSIONS		THIRD ANGLE PROJECTION		DRAWING		SERIES		MATERIAL NUMBER		
		C-SIZE		171982		CUSTOMER		SHEET NUMBER			
						GENERAL MARKET		SD-171982-1000		3 OF 6	

42 CIRCUIT TAIL RECOMMENDED FOOTPRINT



NOTES:

1. MINIMUM RECOMMENDED SPACING BETWEEN ADJACENT CONNECTOR IS 19.05mm
2. MINIMUM RECOMMENDED PCB THICKNESS: 1.57mm
3. CONNECTOR KEEP OUT AREA
4. DATUM -A- ESTABLISHED FROM TOP SURFACE OF PCB

FUNCTIONAL SYMBOLS	THIS DRAWING CONTAINS INFORMATION THAT IS PROPRIETARY TO MOLEX ELECTRONIC TECHNOLOGIES, LLC AND SHOULD NOT BE USED WITHOUT WRITTEN PERMISSION		CURRENT REV DESC:	
	DIMENSION UNITS	SCALE		
$\frac{F}{A} = 0$	mm	15:1		
$\frac{F}{C} = 0$	GENERAL TOLERANCES (UNLESS SPECIFIED)			
$\frac{F}{P} = 0$	ANGULAR TOL $\pm 0.5^\circ$			
DIVISIONAL SYMBOLS	4 PLACES	\pm	EC NO: 701025	
	3 PLACES	\pm	DRWN: ABELD2	2022/03/25
	2 PLACES	± 0.13	CHK'D: JKACHLIC	2022/03/31
	1 PLACE	± 0.25	APPR: JKACHLIC	2022/03/31
	0 PLACES	\pm	INITIAL REVISION:	
DRAFT WHERE APPLICABLE MUST REMAIN WITHIN DIMENSIONS		THIRD ANGLE PROJECTION	DRAWING	SERIES
			C-SIZE	171982
DOCUMENT STATUS		P1	RELEASE DATE	2022/03/31 04:19:28
DOCUMENT NUMBER		CUSTOMER		SHEET NUMBER
SD-171982-1000		GENERAL MARKET		4 OF 6
DOC TYPE		DOC PART	REVISION	
PSD		001	J3	

molex

NANO-PITCH I/O
 RIGHT ANGLE 4X

PRODUCT CUSTOMER DRAWING

DOCUMENT NUMBER | DOC TYPE | DOC PART | REVISION

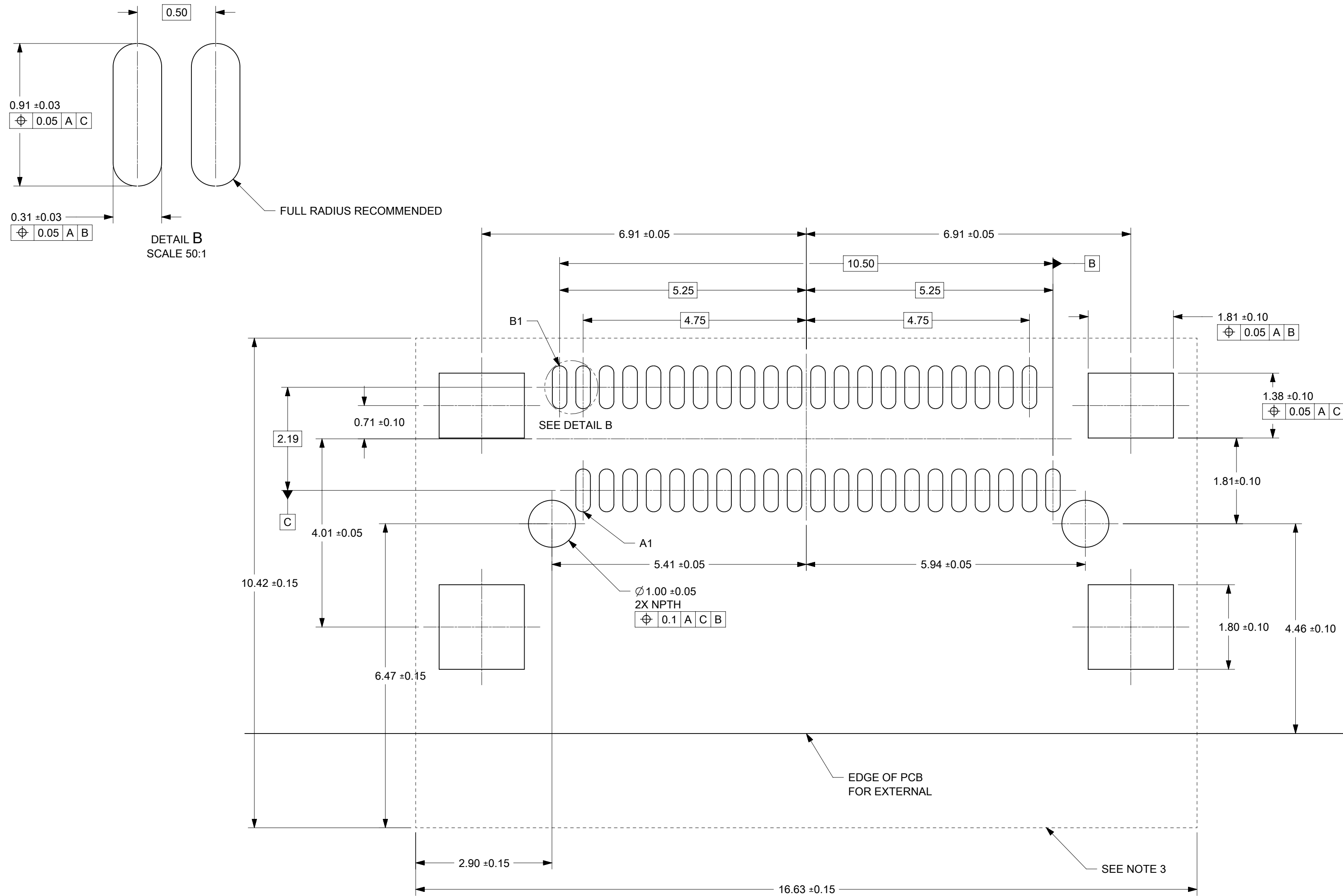
SD-171982-1000 | PSD | 001 | J3

MATERIAL NUMBER | CUSTOMER

GENERAL MARKET | SHEET NUMBER

4 OF 6

42 CIRCUIT SMT RECOMMENDED FOOTPRINT



NOTES:

1. MINIMUM RECOMMENDED SPACING BETWEEN ADJACENT CONNECTOR IS 19.05mm
2. MINIMUM RECOMMENDED PCB THICKNESS: 1.57mm
3. CONNECTOR KEEP OUT AREA
4. DATUM -A- ESTABLISHED FROM TOP SURFACE OF PCB

FUNCTIONAL SYMBOLS	THIS DRAWING CONTAINS INFORMATION THAT IS PROPRIETARY TO MOLEX ELECTRONIC TECHNOLOGIES, LLC AND SHOULD NOT BE USED WITHOUT WRITTEN PERMISSION		
	DIMENSION UNITS	SCALE	CURRENT REV DESC:
$\frac{F}{A} = 0$	mm	15:1	EC NO: 701025 DRWN: ABELD2 CHK'D: JKACHLIC APPR: JKACHLIC
$\frac{F}{C} = 0$	GENERAL TOLERANCES (UNLESS SPECIFIED)		
$\frac{F}{P} = 0$	ANGULAR TOL ± 0.5°		2022/03/25
DIVISIONAL SYMBOLS	4 PLACES	±	2022/03/31
	3 PLACES	±	2022/03/31
	2 PLACES	± 0.13	
	1 PLACE	± 0.25	
	0 PLACES	±	
DRAFT WHERE APPLICABLE MUST REMAIN WITHIN DIMENSIONS		THIRD ANGLE PROJECTION	DRAWING SERIES
			C-SIZE 171982
DOCUMENT STATUS		P1	RELEASE DATE
2022/03/31		04:19:28	
SD-171982-1000		PSD	001
GENERAL MARKET		J3	
MATERIAL NUMBER		CUSTOMER	SHEET NUMBER
		GENERAL MARKET	5 OF 6

molex

NANO-PITCH I/O
RIGHT ANGLE 4X

PRODUCT CUSTOMER DRAWING

DOCUMENT NUMBER: SD-171982-1000
DOC TYPE: PSD
DOC PART: 001
REVISION: J3

MATERIAL NUMBER: GENERAL MARKET
CUSTOMER: GENERAL MARKET
SHEET NUMBER: 5 OF 6

