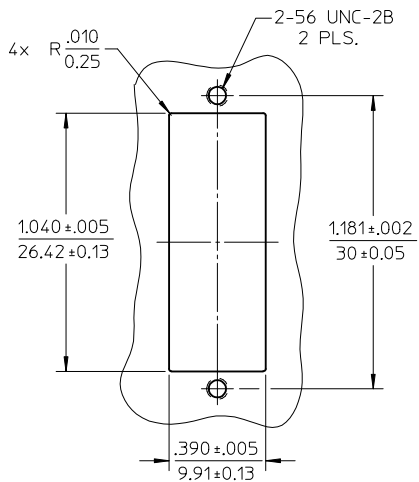
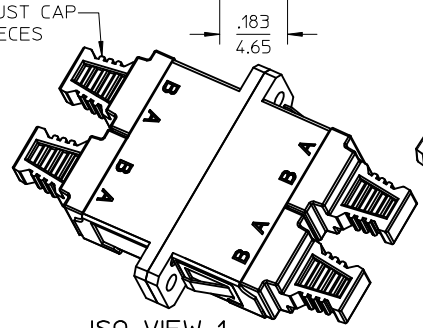
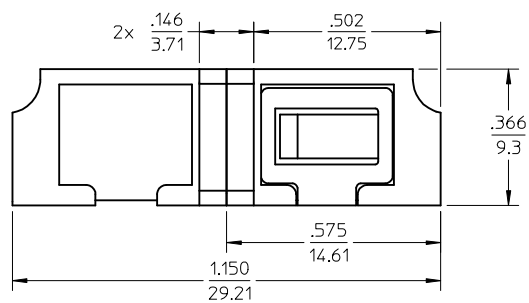
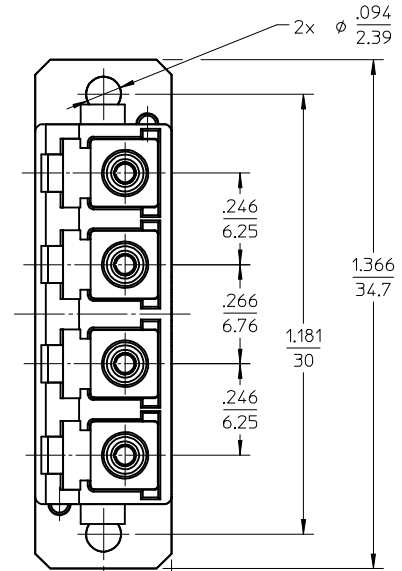
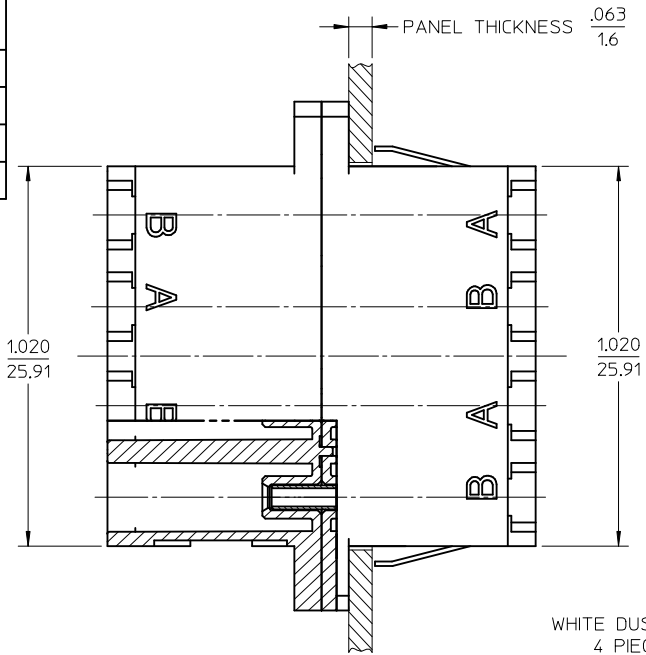


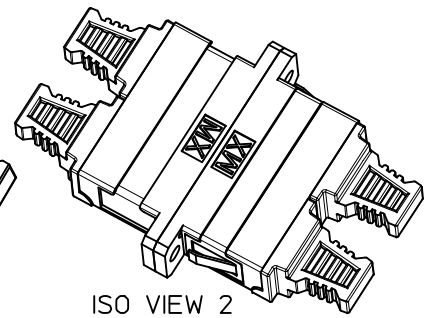
| LC QUAD ADAPTER P/N | LC QUAD ADAPTER COLOR | SPLIT SLEEVE MATERIAL |
|------------------------|--------------------------|--------------------------|
| 106123-0100 | BLUE | ZR |
| 106123-1100 | BEIGE | PHOSPHOR BRONZE |
| 106123-2100 | GREEN | ZR |
| 106123-3100 | AQUA | PHOSPHOR BRONZE |



**RECOMMENDED
MOUNTING PATTERN**
SCALE 2:1



ISO VIEW 1
SCALE 1.5:1



ISO VIEW 2
SCALE 1.5:1

NOTES:

1. ALL DIMENSIONS ARE FOR REFERENCE.
2. DUST CAPS NOT SHOWN ON FRONT, BOTTOM AND RIGHT VIEW.
3. LC QUAD ADAPTER HAS SC DUPLEX ADAPTER FOOTPRINT.

| | | | | | | | |
|---|---|--|--|---|---|-----------------------------|------------------------|
| ENTER DESCRIPTION EC NO: MF2013-0549 DRAWN: KPEVZNER 2013/03/01 CHKD: APPR: IGUMIN 2013/03/07 A1 | QUALITY SYMBOLS ▽=0 ▽=0 ▽=0 | GENERAL TOLERANCES (UNLESS SPECIFIED) | | DIMENSION STYLE IN/MM | SCALE 3:1 | DESIGN UNITS INCH | THIRD ANGLE PROJECTION |
| | | 4 PLACES ± --- ± --- 3 PLACES ± --- ± --- 2 PLACES ± --- ± --- 1 PLACE ± --- ± --- 0 PLACE ± ± | mm INCH DRAWN BY PGIBLIN DATE 2005/11/21 CHECKED BY DATE APPROVED BY DATE | TITLE LC QUAD ADAPTER (SCREW AND SNAP MOUNT) | | | |
| | | MATERIAL NO. SEE TABLE DOCUMENT NO. SD-106123-X100 | | molex | | | |
| | | ANGULAR ± --- ° DRAFT WHERE APPLICABLE MUST REMAIN WITHIN DIMENSIONS | | SHEET NO. 1 OF 1 | THIS DRAWING CONTAINS INFORMATION THAT IS PROPRIETARY TO MOLEX INCORPORATED AND SHOULD NOT BE USED WITHOUT WRITTEN PERMISSION | | |