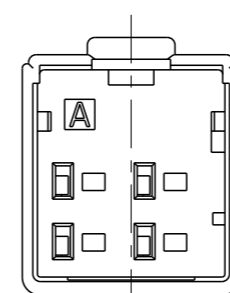
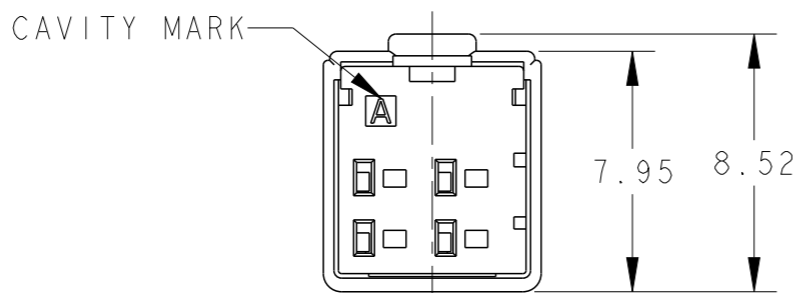
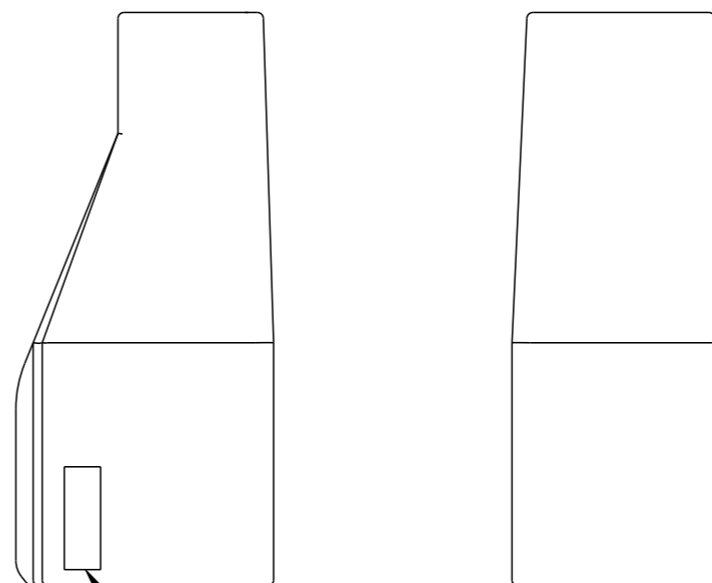
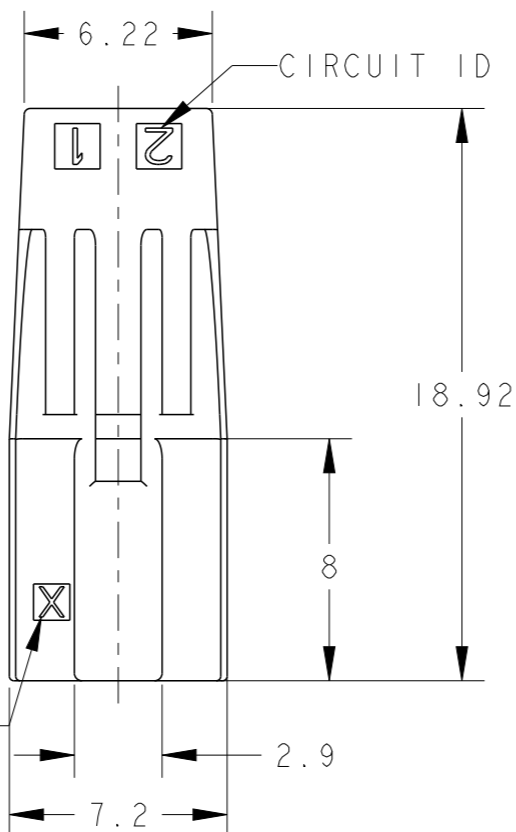
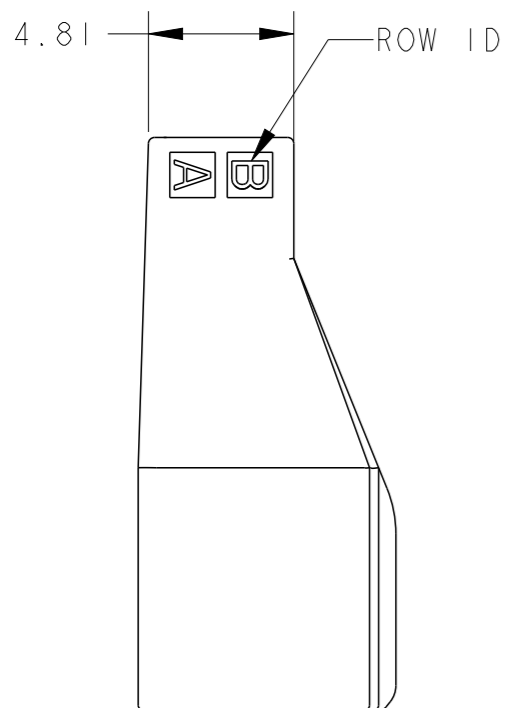
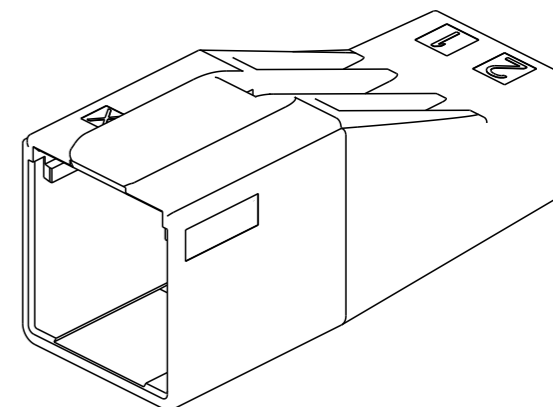
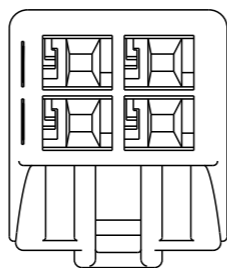


- 1. MATERIAL: GLASS FIBERED THERMO PLASTIC POLYESTER (94V-0), COLOR: SEE TABLE CONTAMINATION Ø1.2 MAX
- 2. INSTRUCTION SHEET: 408-78197
- 3. CIRCUIT NUMBER IS CONSISTED ROW ID AND CIRCUIT ID  
EX: A1, A2, B1, B2 REFER TO SHEET 5

REVISIONS					
P	LTR	DESCRIPTION	DATE	DWN	APVD
	A	RELEASED	23MAR2021	Y.O	E.I
	B	REVISED	17JUN2021	Y.O	T.S
	C	REVISED	13JAN2022	Y.O	T.S



2-2366600-4  
Y KEY 4POSN

1-2366600-4  
X KEY 4POSN

COLOR	KEYING	POSN	PART NUMBER	
BLUE	Y	12	8-2366600-2	
	X		7-2366600-2	
NATURAL	Y		6-2366600-2	
	X		5-2366600-2	
BLACK	Y		4-2366600-2	
	X		3-2366600-2	
BLUE	Y		8	8-2366600-8
	X			7-2366600-8
NATURAL	Y			6-2366600-8
	X			5-2366600-8
BLACK	Y			2-2366600-8
	X			1-2366600-8
BLUE	Y	6		8-2366600-6
	X			7-2366600-6
NATURAL	Y		6-2366600-6	
	X		5-2366600-6	
BLACK	Y		2-2366600-6	
	X		1-2366600-6	
BLUE	Y	4	8-2366600-4	
	X		7-2366600-4	
NATURAL	Y		6-2366600-4	
	X		5-2366600-4	
BLACK	Y	2-2366600-4		
	X	1-2366600-4		

THIS DRAWING IS A CONTROLLED DOCUMENT.

DIMENSIONS:	TOLERANCES UNLESS OTHERWISE SPECIFIED:
mm	±0.5, ±3°
Ø PLC	±
1 PLC	±0.5
2 PLC	±0.13
3 PLC	±0.013
4 PLC	±0.0001
ANGLES	±

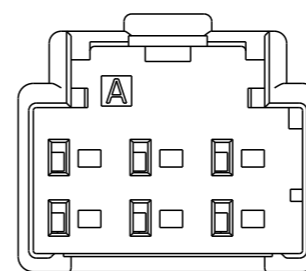
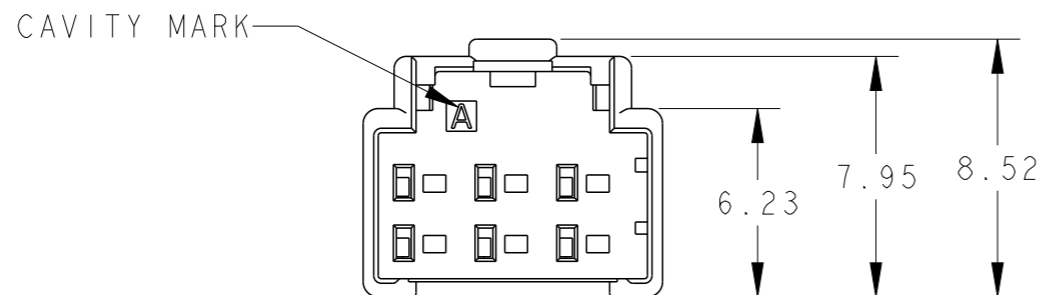
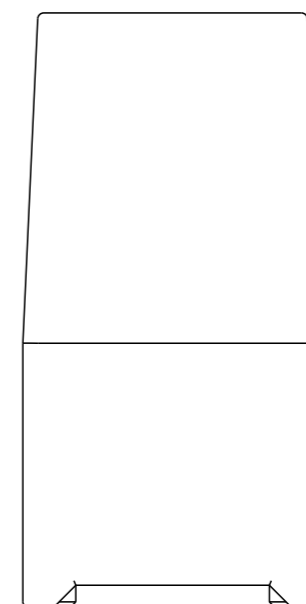
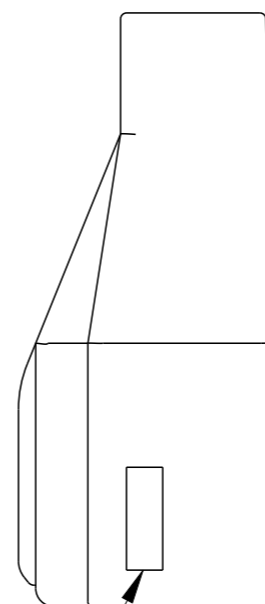
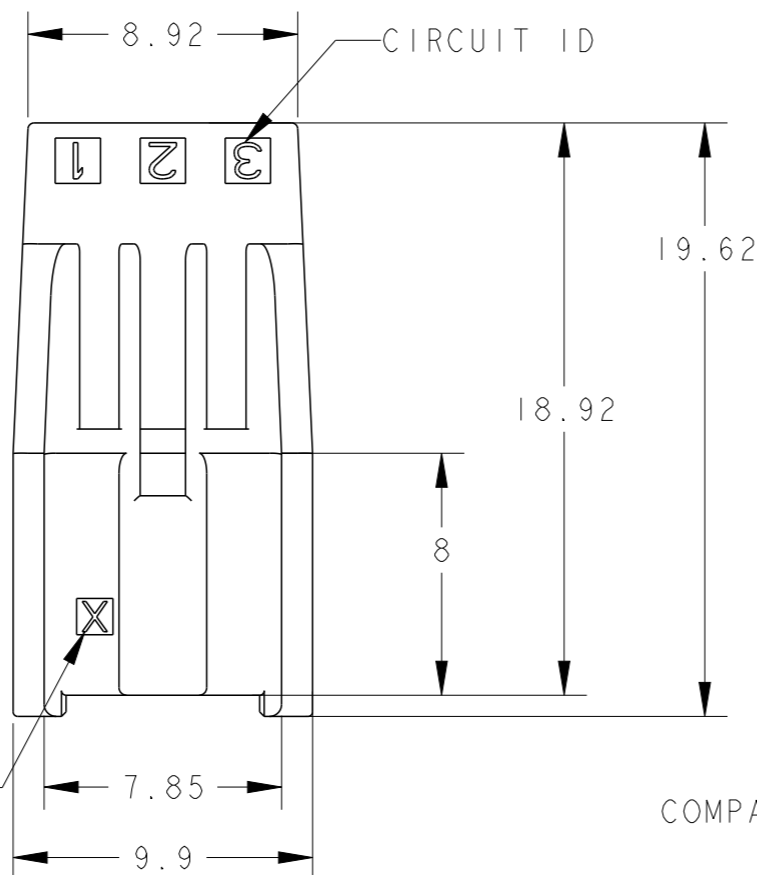
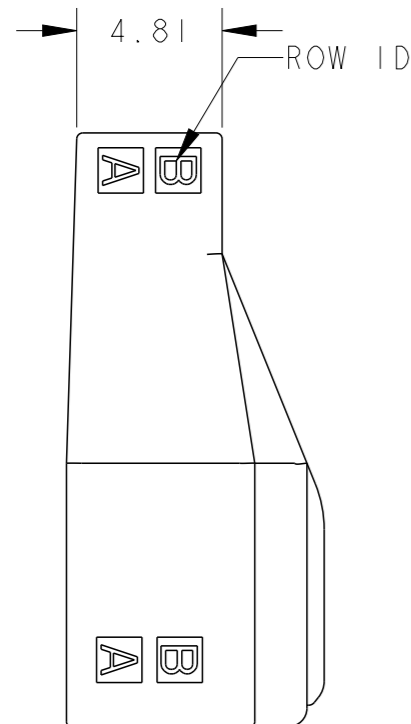
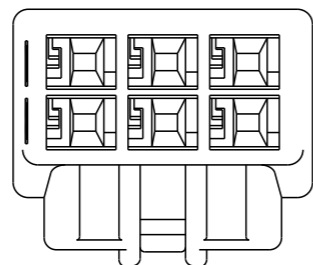
MATERIAL: SEE NOTE  
FINISH: -

DWN	Y. OKADA	12MAY2020
CHK	T. SHIMOYASU	12MAY2020
APVD	E. IKEMATSU	12MAY2020
PRODUCT SPEC	108-140257	
APPLICATION SPEC	-	
WEIGHT	-	
CUSTOMER DRAWING		

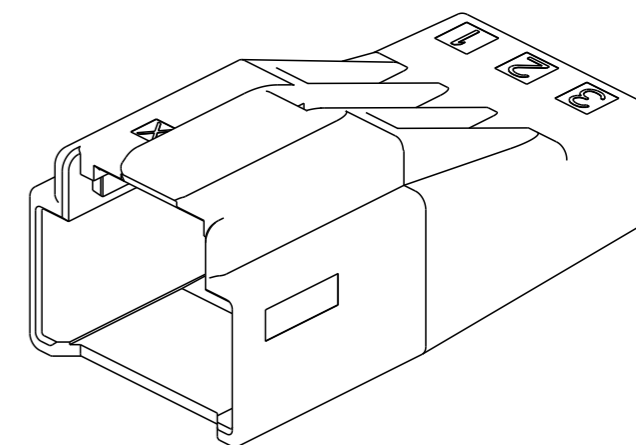
TE Connectivity			
NAME: TAB HOUSING, D1000 SLIM, DYNAMIC			
SIZE	CAGE CODE	DRAWING NO	RESTRICTED TO
A3	00779	C-2366600	-
SCALE: 4:1		SHEET: 1 OF 5	REV: C

REVISIONS

P	LTR	DESCRIPTION	DATE	DWN	APVD
	-	SEE SHEET 1	-	-	-



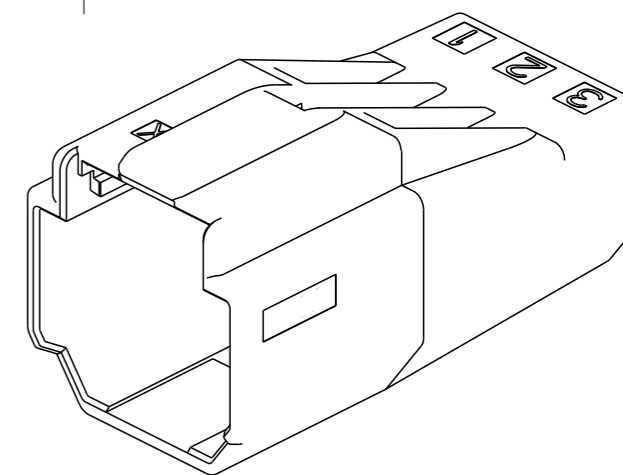
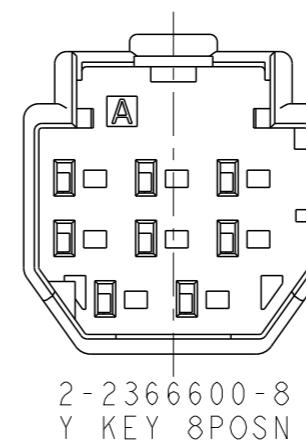
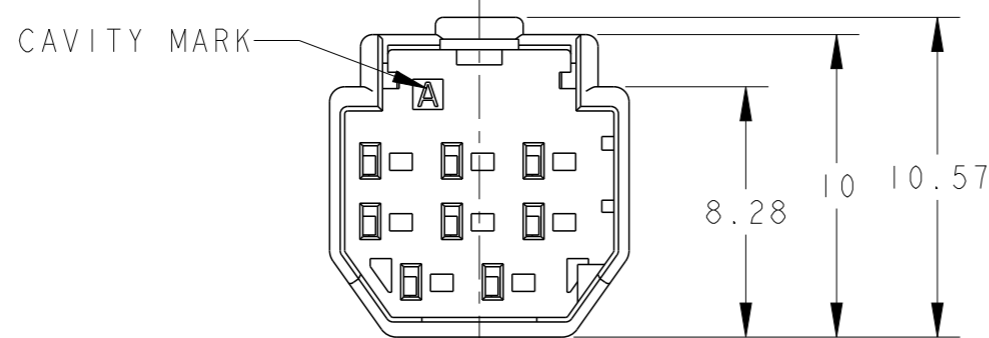
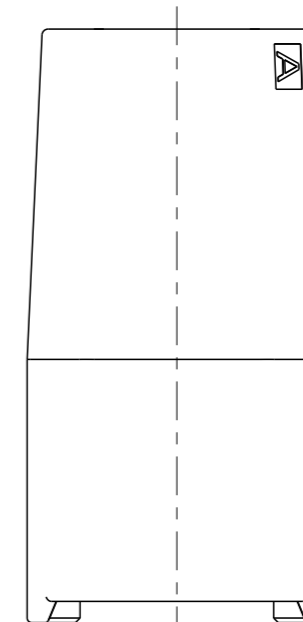
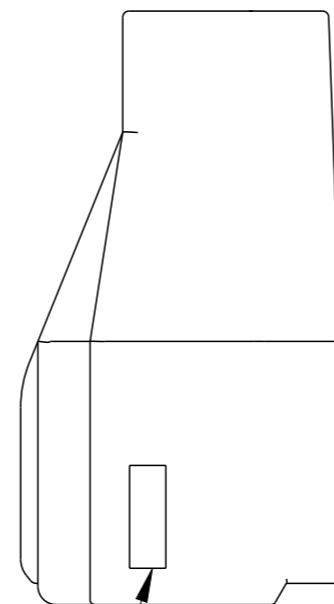
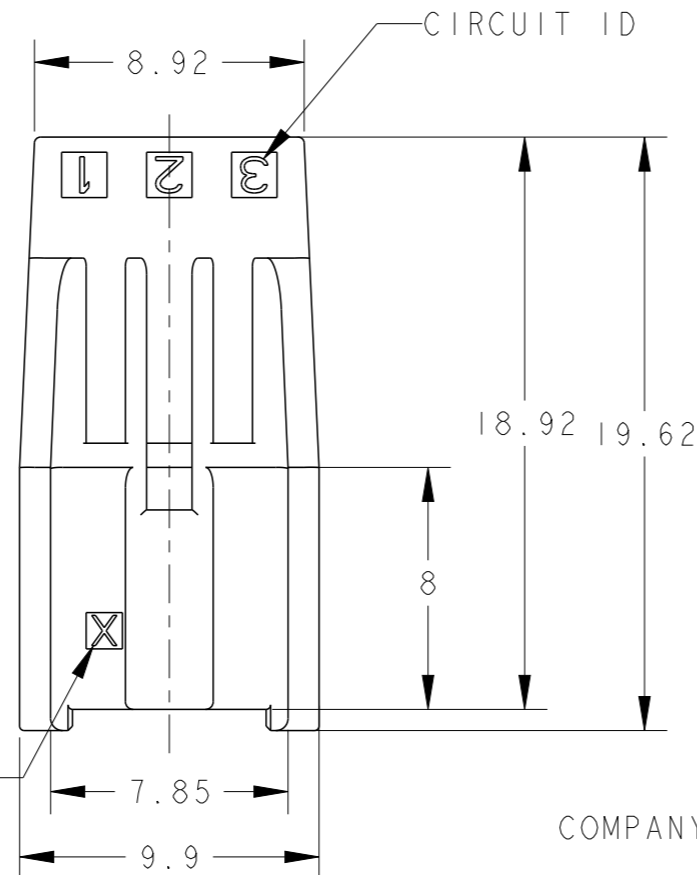
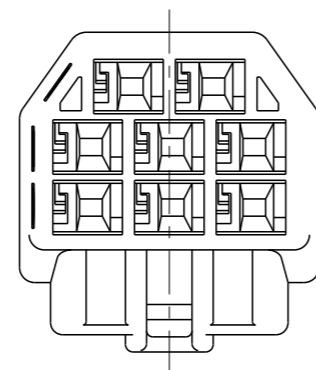
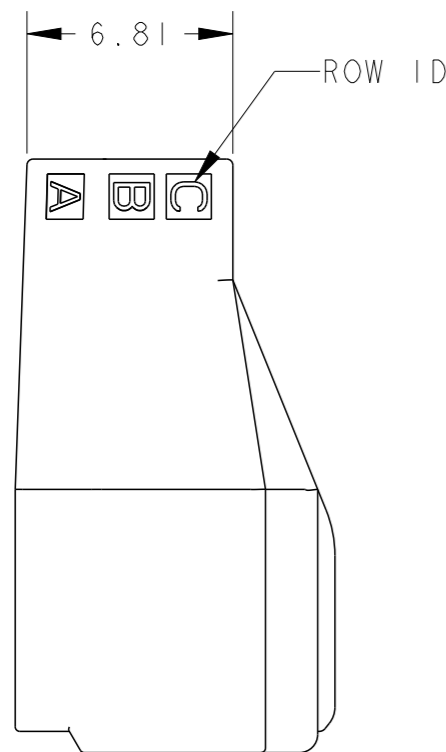
2-2366600-6  
Y KEY 6 POSN



1-2366600-6  
X KEY 6 POSN

THIS DRAWING IS A CONTROLLED DOCUMENT.		DWN Y. OKADA 12MAY2020			
DIMENSIONS: mm		CHK T. SHIMOYASU 12MAY2020			
		APVD E. IKEMATSU 12MAY2020			
TOLERANCES UNLESS OTHERWISE SPECIFIED: ±0.5, ±3°		PRODUCT SPEC 108-140257		NAME TAB HOUSING, D1000 SLIM, DYNAMIC	
MATERIAL SEE NOTE		APPLICATION SPEC -		SIZE A3	
FINISH -		WEIGHT -		CAGE CODE 00779	
		CUSTOMER DRAWING		DRAWING NO C-2366600	
		SCALE 4:1		RESTRICTED TO -	
		SHEET 2 OF 5		REV C	

P	LTR	DESCRIPTION	DATE	DWN	APVD
	-	SEE SHEET 1	-	-	-



1-2366600-8  
X KEY 8POSN

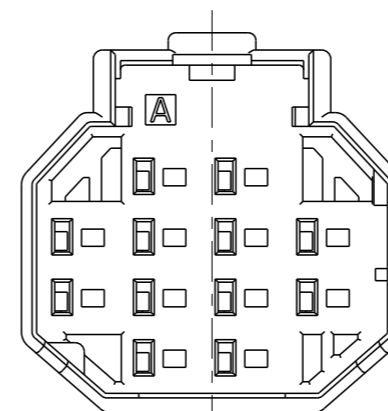
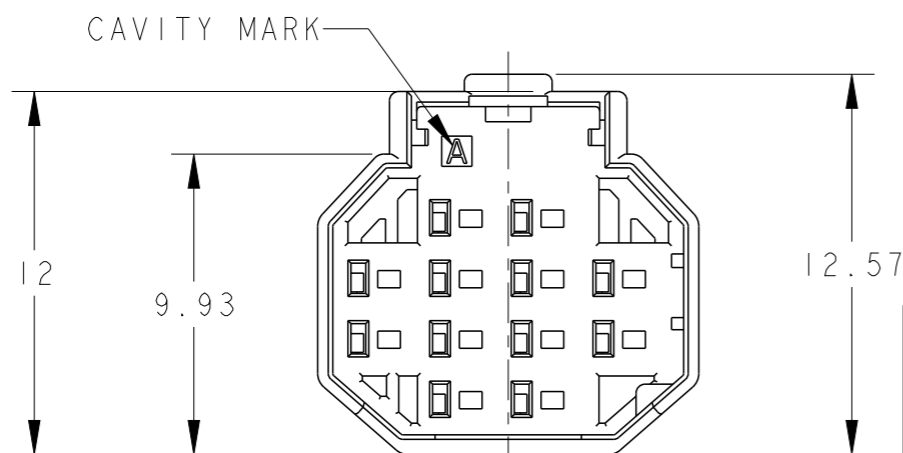
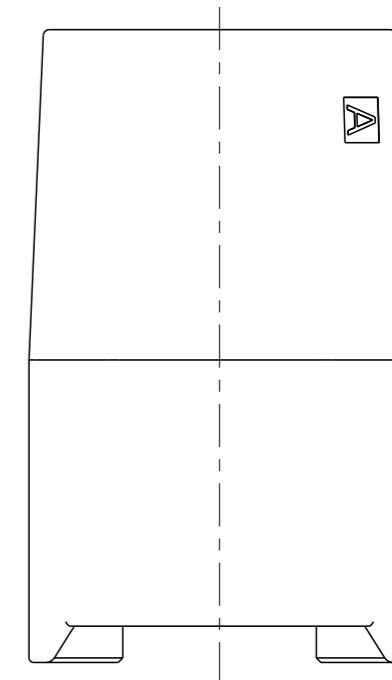
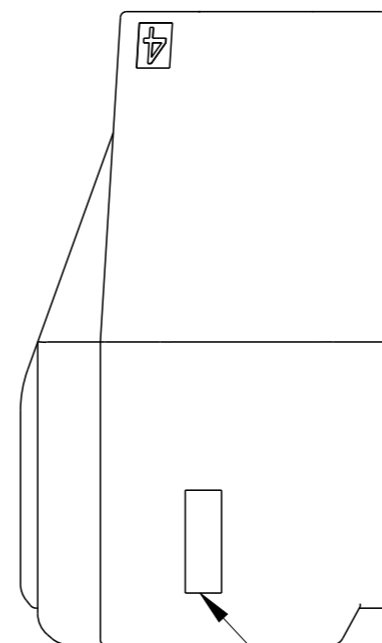
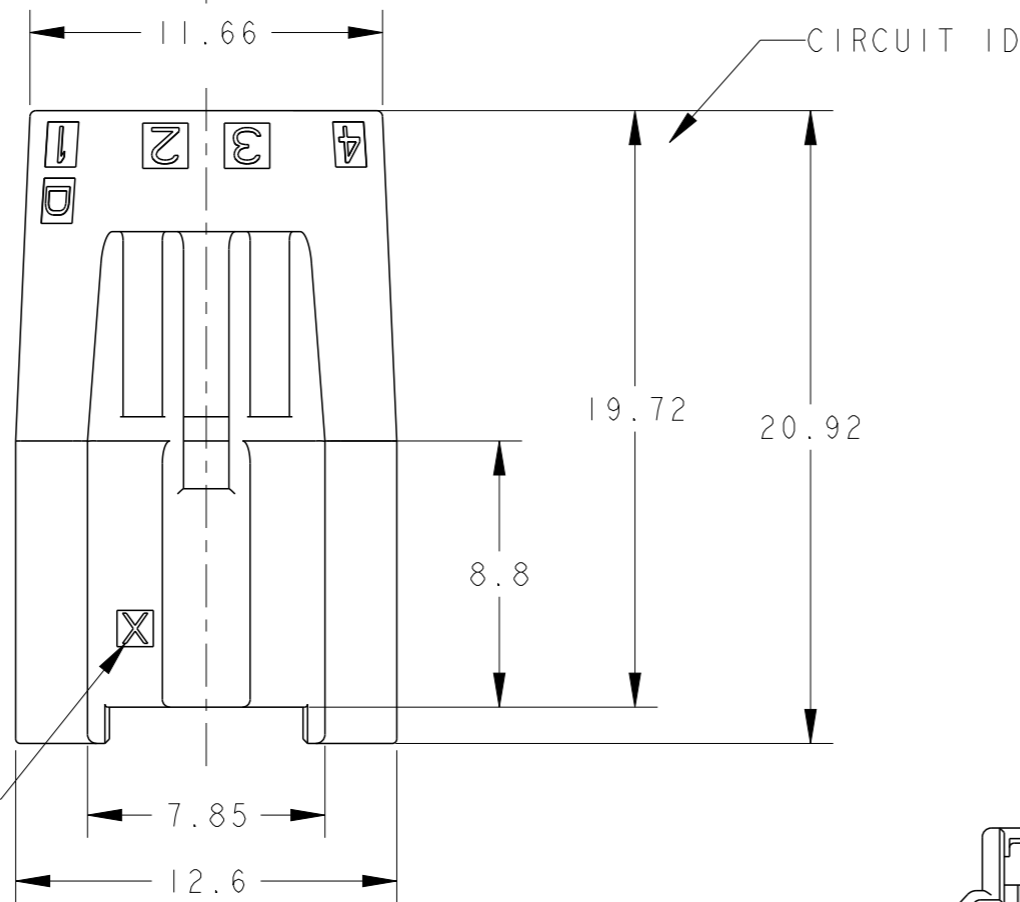
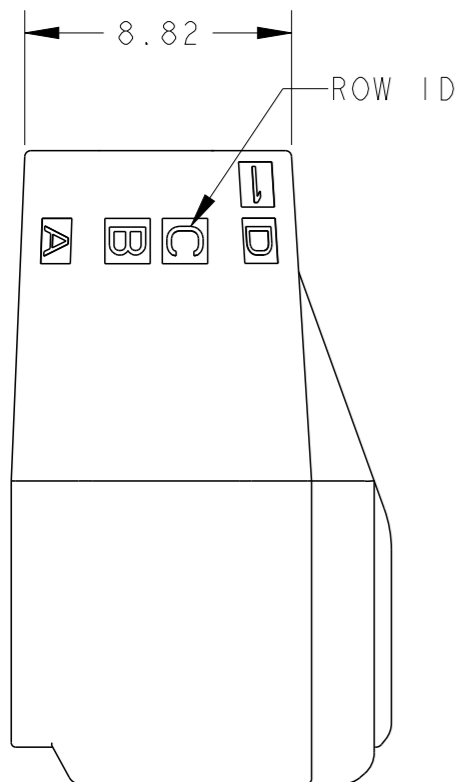
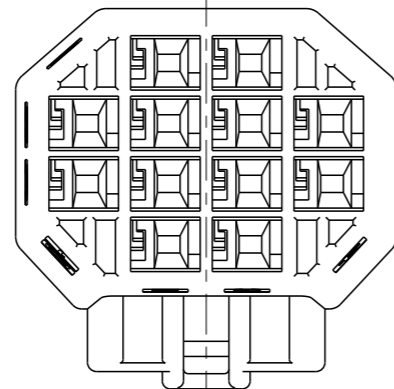
THIS DRAWING IS A CONTROLLED DOCUMENT.

DIMENSIONS: mm	TOLERANCES UNLESS OTHERWISE SPECIFIED: ±0.5, ±3°
	0-PLC ±
	1-PLC ±0.5
	2-PLC ±0.13
	3-PLC ±0.013
	4-PLC ±0.0001
	ANGLES ±
MATERIAL SEE NOTE	FINISH -

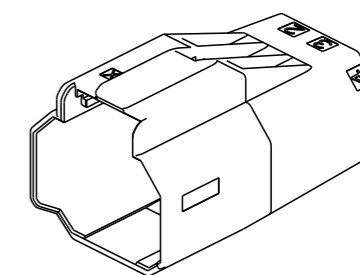
DWN Y. OKADA	12MAY2020
CHK T. SHIMOYASU	12MAY2020
APVD E. IKEMATSU	12MAY2020
PRODUCT SPEC	108-140257
APPLICATION SPEC	-
WEIGHT	-
CUSTOMER DRAWING	

		NAME TAB HOUSING, D1000 SLIM, DYNAMIC	
		SIZE A3	CAGE CODE 00779
DRAWING NO C-2366600		RESTRICTED TO -	
SCALE 4:1		SHEET 3 OF 5	
		REV C	

P	LTR	DESCRIPTION	DATE	DWN	APVD
-	-	SEE SHEET 1	-	-	-



4-2366600-2  
Y KEY 12POSN



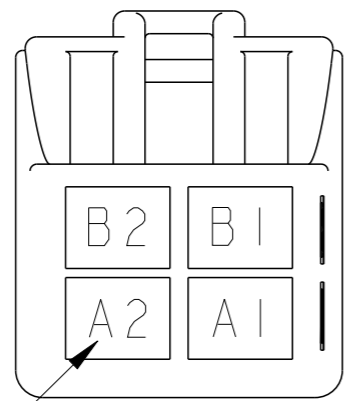
SCALE 2:1

3-2366600-2  
X KEY 12POSN

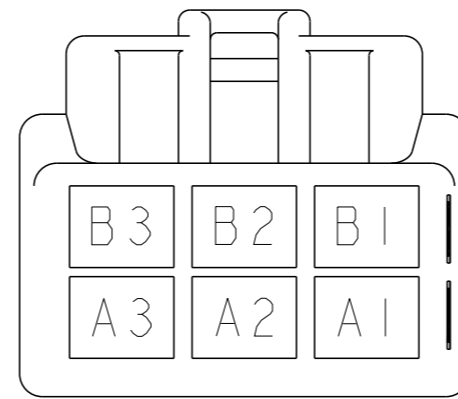
THIS DRAWING IS A CONTROLLED DOCUMENT.		DWN Y. OKADA 12MAY2020		TE Connectivity		
DIMENSIONS: mm		CHK T. SHIMOYASU 12MAY2020		NAME TAB HOUSING, D1000 SLIM, DYNAMIC		
TOLERANCES UNLESS OTHERWISE SPECIFIED: ±0.5, ±3°		APVD E. IKEMATSU 12MAY2020		PRODUCT SPEC 108-140257		
<ul style="list-style-type: none"> <li>0 PLC ±</li> <li>1 PLC ±0.5</li> <li>2 PLC ±0.13</li> <li>3 PLC ±0.013</li> <li>4 PLC ±0.0001</li> <li>ANGLES ±</li> </ul>		APPLICATION SPEC -		SIZE A3	CAGE CODE 00779	DRAWING NO C-2366600
MATERIAL SEE NOTE		FINISH -	WEIGHT -	RESTRICTED TO -		
CUSTOMER DRAWING			SCALE 4:1	SHEET 4 OF 5	REV C	

REVISIONS

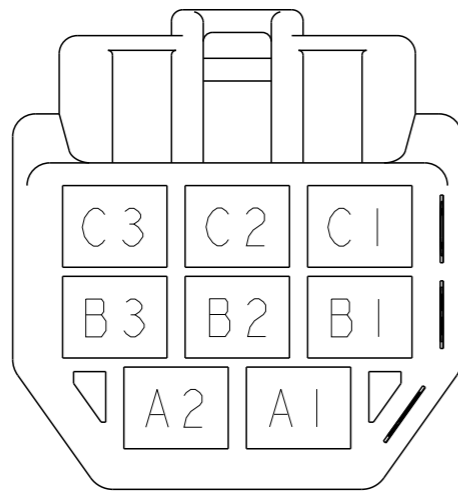
P	LTR	DESCRIPTION	DATE	DWN	APVD
	-	SEE SHEET 1	-	-	-



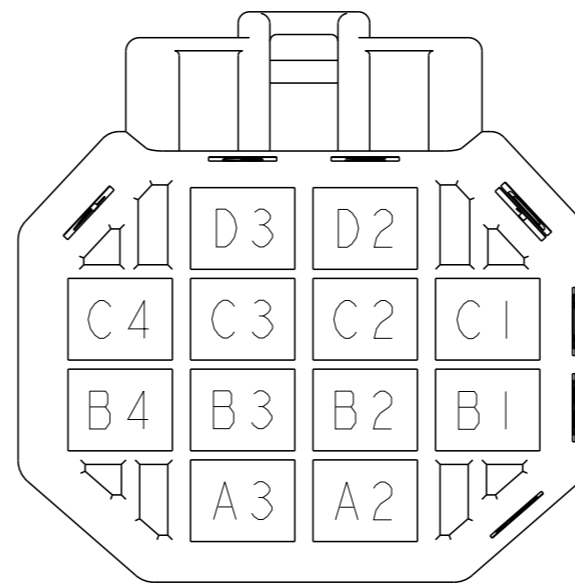
CIRCUIT NUMBER 4POSN



6POSN



8POSN



12POSN

THIS DRAWING IS A CONTROLLED DOCUMENT.		DWN Y. OKADA 12MAY2020		
DIMENSIONS: mm		CHK T. SHIMOYASU 12MAY2020		
		APVD E. IKEMATSU 12MAY2020	NAME TAB HOUSING, D1000 SLIM, DYNAMIC	
TOLERANCES UNLESS OTHERWISE SPECIFIED: ±0.5, ±3°		PRODUCT SPEC 108-140257	RESTRICTED TO	
MATERIAL SEE NOTE		APPLICATION SPEC -	SIZE A3	CAGE CODE 00779
FINISH -		WEIGHT -	DRAWING NO C-2366600	
		CUSTOMER DRAWING	SCALE 6:1	SHEET 5 OF 5
				REV C