

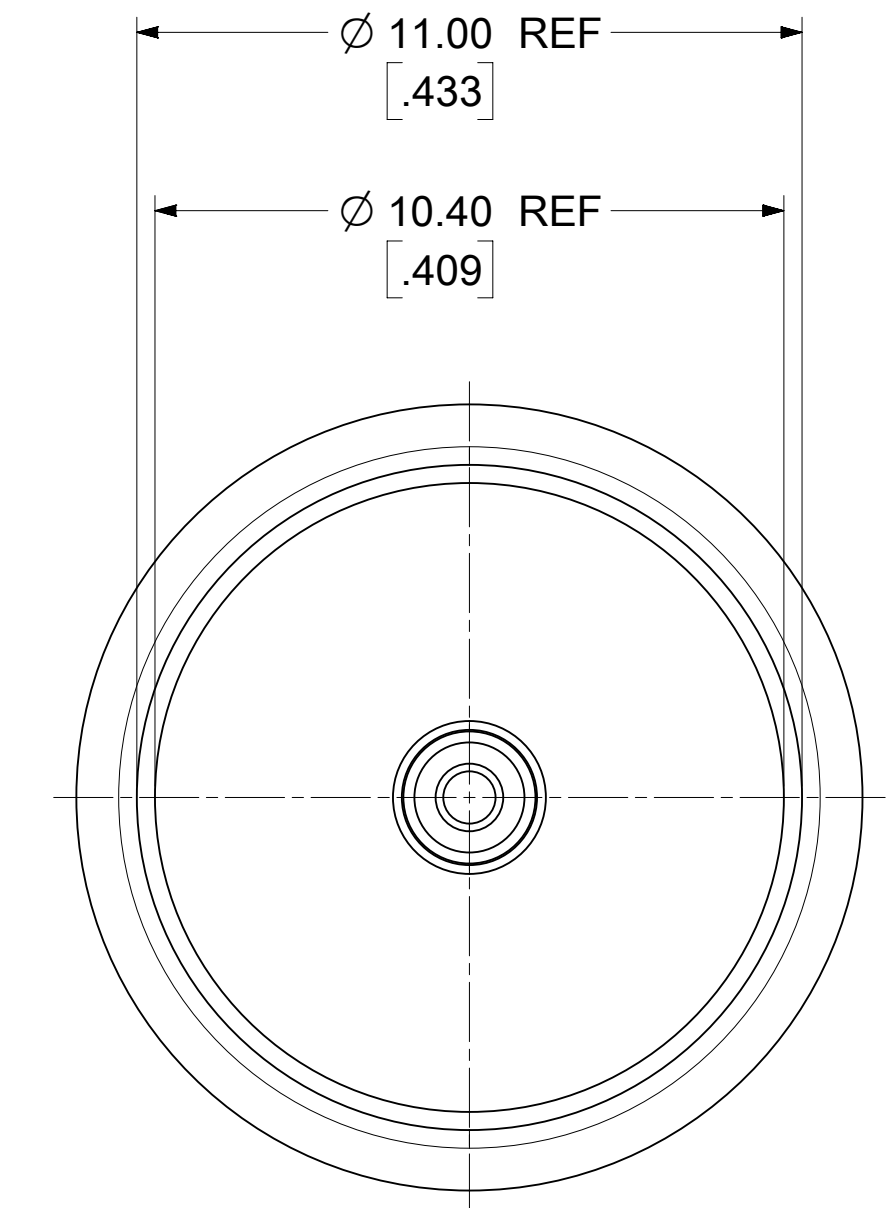
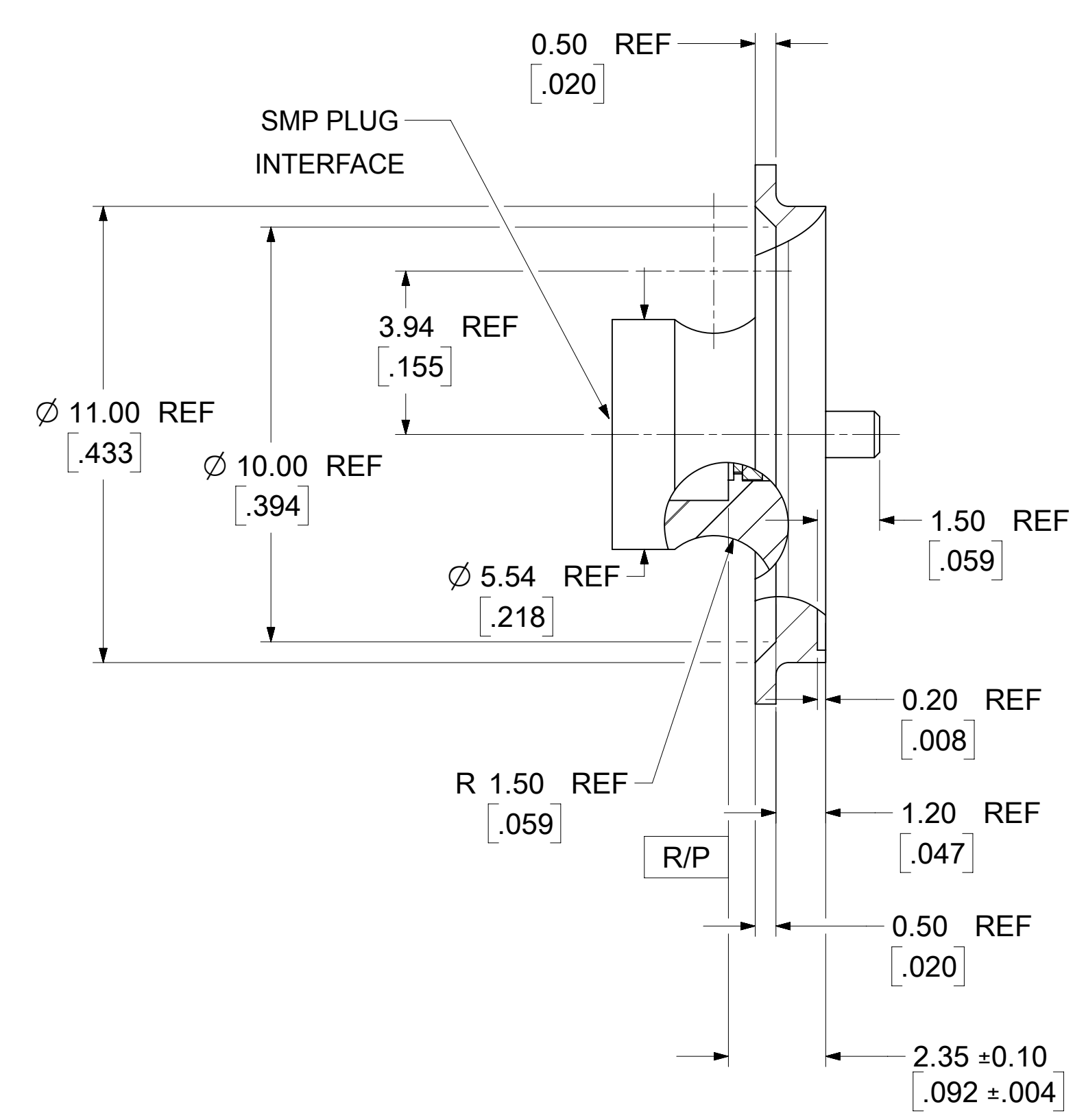
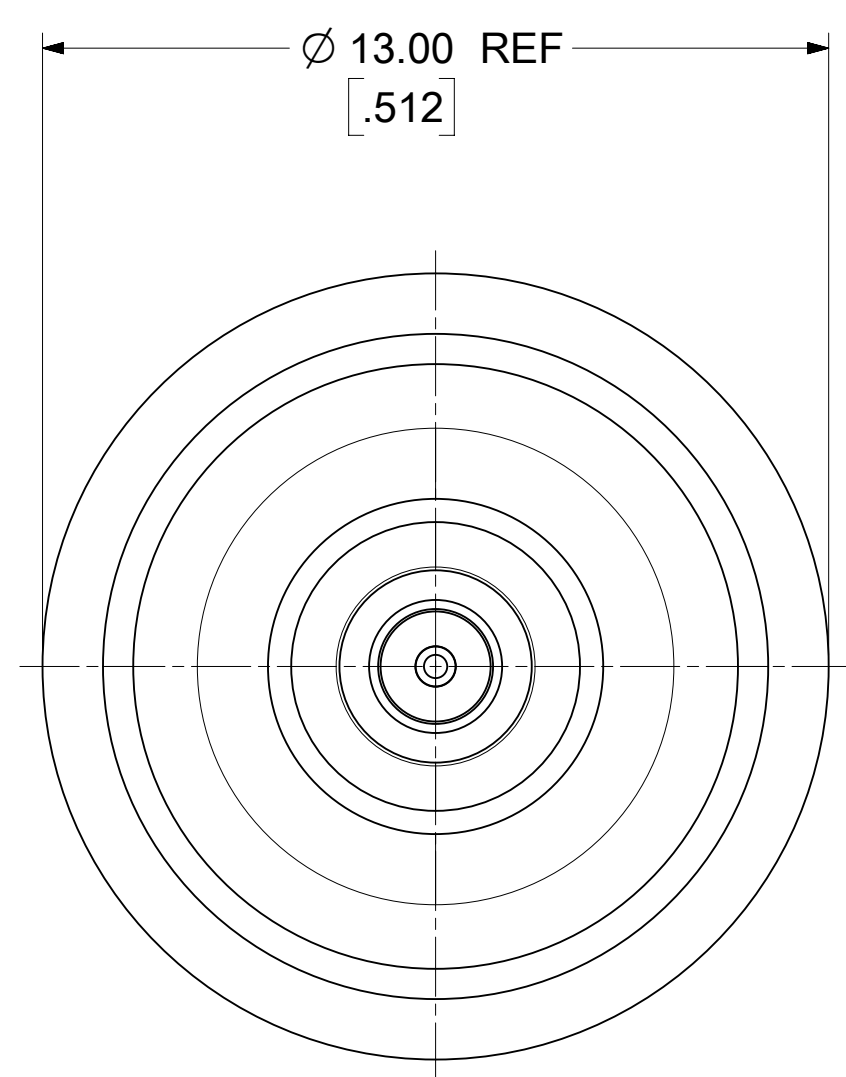
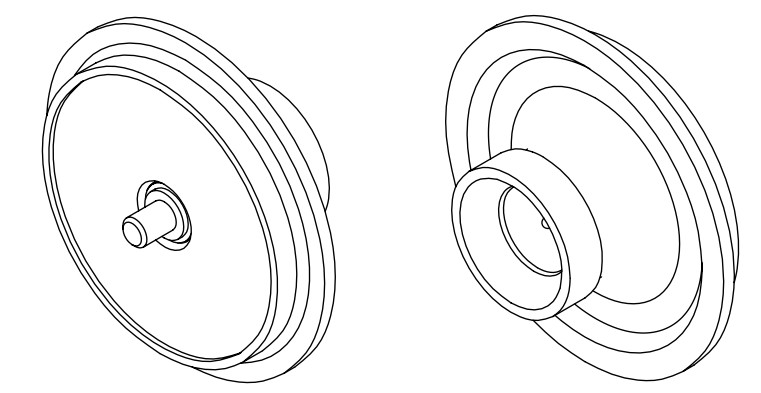
MATERIALS AND FINISHES:

BODY, CONTACT: BRASS  
 PLATED: GOLD (30μ-in MIN)  
 OVER NICKEL (100μ-in MIN)

INSULATOR: PTFE

O-RING: SILICON RUBBER

SEALED TO 1x10e-3 CC HELIUM/SEC



73415-5271	ONE PER BAG	895420470
73415-5270	TRAY	895420040
PART #	PACKAGING	PACKING SPEC

PS-89675-3320	PRODUCT SPECIFICATION
MIL-STD-348B, FIG. 326.5	INTERFACE
SPECIFICATION	DESCRIPTION

FUNCTIONAL SYMBOLS $\sqrt{A} = 0$ $\sqrt{C} = 0$ $\sqrt{P} = 0$ DIVISIONAL SYMBOLS 4 PLACES ± 3 PLACES ± 2 PLACES ± 0.25 1 PLACE ± 0 PLACES ±	THIS DRAWING CONTAINS INFORMATION THAT IS PROPRIETARY TO MOLEX ELECTRONIC TECHNOLOGIES, LLC AND SHOULD NOT BE USED WITHOUT WRITTEN PERMISSION		CURRENT REV DESC: EWR # 15321-E ADDED -5271 PART NO				
	DIMENSION UNITS: MM/INCH SCALE: NTS	GENERAL TOLERANCES (UNLESS SPECIFIED) ANGULAR TOL ± 2.0°		EC NO: 718007 DRWN: JSU18 CHK'D: YCHENG APPR: YCHENG		2022/08/11 2022/08/24 2022/08/24	
	DRAFT WHERE APPLICABLE MUST REMAIN WITHIN DIMENSIONS		THIRD ANGLE PROJECTION	DRAWING: C-SIZE SERIES: 73415		INITIAL REVISION: DRWN: TFLAHERTY APPR: JWIENER	2005/05/09 2005/05/09
	DOCUMENT NUMBER: SD-73415-527 DOC TYPE: PSD DOC PART: 001 REVISION: B3		MATERIAL NUMBER: GENERAL MARKET CUSTOMER: GENERAL MARKET SHEET NUMBER: 1 OF 1				