

NOTES:

1. MATERIAL:

HOUSING: LIQUID CRYSTAL POLYMER (LCP), GLASS-FILLED, UL94V-0,  
COLOR: BLACK

TERMINALS: BRASS

2. FINISH:

TERMINAL: 0.76 MICROMETERS/30 MICROINCHES MINIMUM SELECTIVE GOLD  
IN CONTACT AREA; 1.27 MICROMETERS/50 MICROINCHES MINIMUM  
SELECTIVE TIN IN THE PC TAIL AREA; NICKEL UNDERPLATE OVERALL.

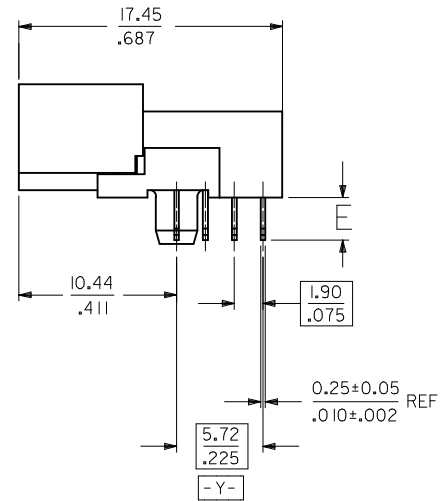
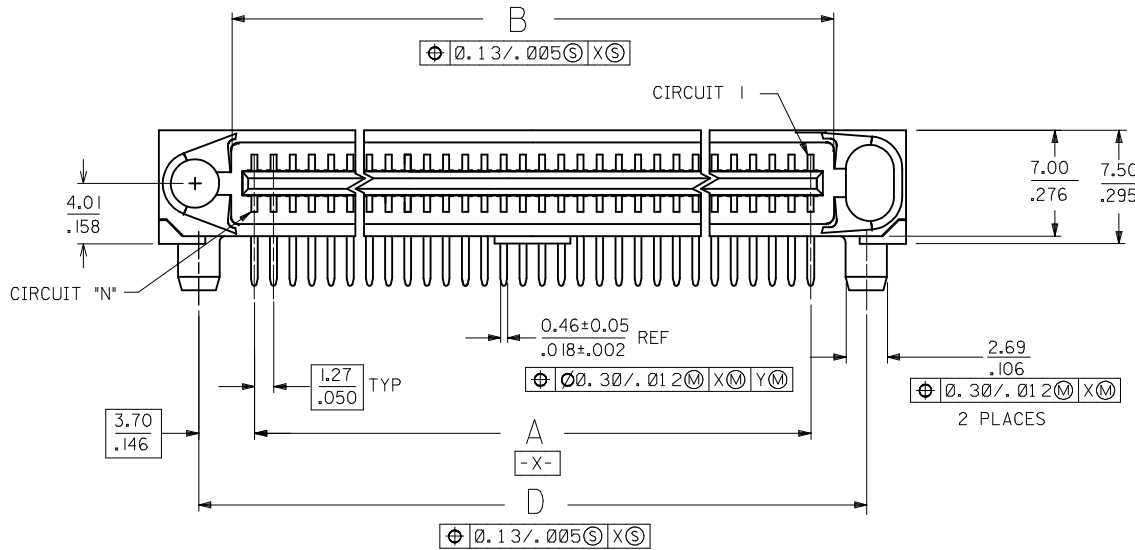
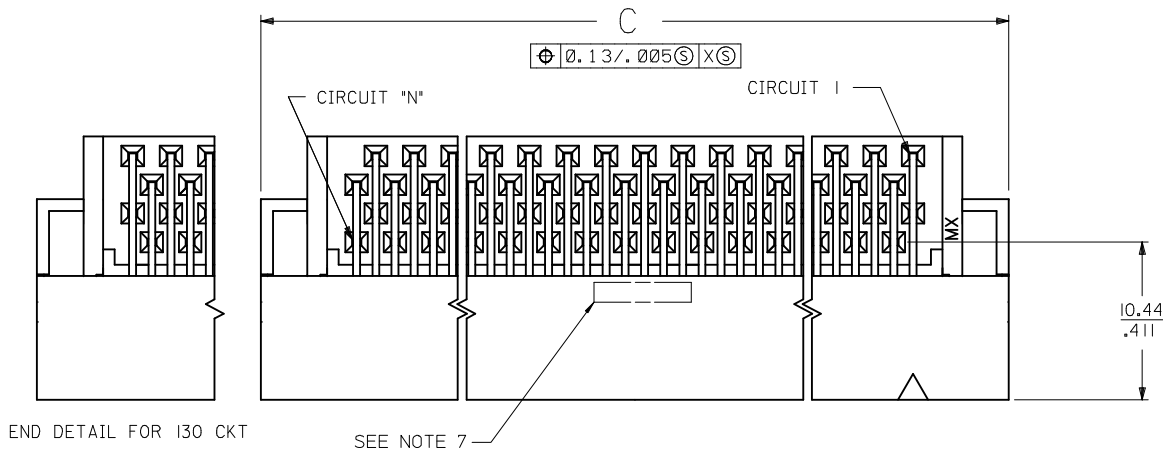
3. CONFORMS TO PRODUCT SPEC: PS-71660

4. PRODUCT PACKAGED PER PK-70873-084\*

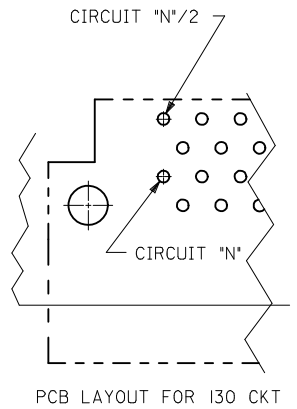
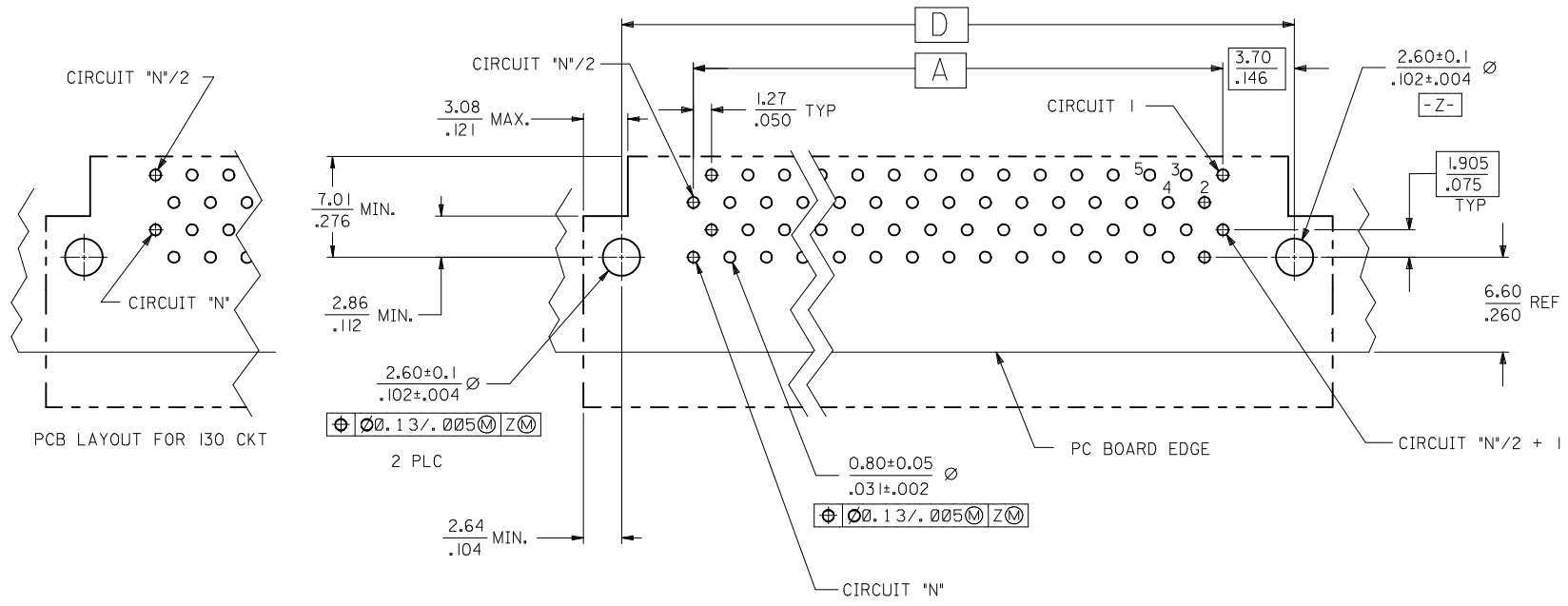
5. ASSEMBLY MATES WITH MOLEX P/N SDA-71660-7\*\*\*

6. RECOMMENDED PC BOARD THICKNESS IS 1.6 MM/.062 IN

7. FOUR DIGIT DATE CODE (WK.YR.) EXAMPLE 26 96 LOCATED IN AREA SHOWN

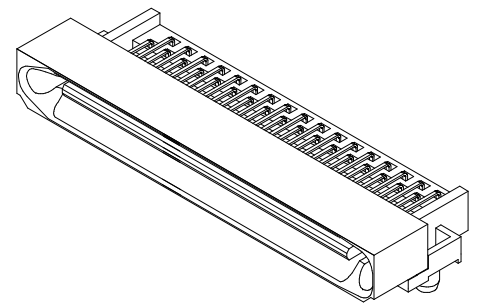


ADD 71661-2543 EC NO: UCP2017-0109 DRWN:MP0FF 2016/07/14 CHKD:DMORGAN 2016/07/14 APPR:DMCGOWAN 2016/08/17	QUALITY SYMBOLS ▽=0 ▽=0	GENERAL TOLERANCES (UNLESS SPECIFIED) <table border="1"> <tr> <th></th> <th>mm</th> <th>INCH</th> </tr> <tr> <td>4 PLACES</td> <td>± .15</td> <td>± .005</td> </tr> <tr> <td>3 PLACES</td> <td>± .10</td> <td>± .004</td> </tr> <tr> <td>2 PLACES</td> <td>± .075</td> <td>± .003</td> </tr> <tr> <td>1 PLACE</td> <td>± .05</td> <td>± .002</td> </tr> </table>		mm	INCH	4 PLACES	± .15	± .005	3 PLACES	± .10	± .004	2 PLACES	± .075	± .003	1 PLACE	± .05	± .002	DIMENSION STYLE MM/IN	SCALE 4:1	DESIGN UNITS INCH	THIRD ANGLE PROJECTION
		mm	INCH																		
	4 PLACES	± .15	± .005																		
	3 PLACES	± .10	± .004																		
2 PLACES	± .075	± .003																			
1 PLACE	± .05	± .002																			
DRAFT WHERE APPLICABLE MUST REMAIN WITHIN DIMENSIONS	MATERIAL NO. SEE TABLE	DRAWN BY RAN	DATE 1995/04/26	SALES ASSMBLY EBBI 50D RIGHT ANGLE BLIND MATE PLUG																	
SIZE C	DOCUMENT NO. SDA-71661-25**	CHECKED BY RAN	DATE 1995/04/26	MOLEX INCORPORATED																	
	SHEET NO. 1 OF 2	APPROVED BY CAB	DATE 1995/04/26	THIS DRAWING CONTAINS INFORMATION THAT IS PROPRIETARY TO MOLEX INCORPORATED AND SHOULD NOT BE USED WITHOUT WRITTEN PERMISSION																	



RECOMMENDED PC BOARD LAYOUT  
 COMPONENT SIDE  
 SEE NOTE 6

3.491 (88.67)	3.699 (93.95)	3.320 (84.33)	3.200 (81.28)	.110 (2.79)	I30	71661-2513
2.741 (69.63)	2.949 (74.90)	2.570 (65.28)	2.450 (62.23)	.110 (2.79)	100	71661-2511
2.241 (56.92)	2.449 (62.20)	2.070 (52.586)	1.950 (49.53)	.110 (2.79)	80	71661-2580
1.941 (49.31)	2.149 (54.58)	1.770 (44.96)	1.650 (41.91)	.110 (2.79)	68	71661-2568
1.941 (49.31)	2.149 (54.58)	1.770 (44.96)	1.650 (41.91)	.125 (3.18)	68	71661-2518
1.241 (31.53)	1.449 (36.80)	1.070 (27.18)	.950 (24.13)	.110 (2.79)	40	71661-2540
1.241 (31.53)	1.449 (36.80)	1.070 (27.18)	.950 (24.13)	.125 (3.18)	40	71661-2543
D	C	B	A	E	CKT ('N')	ITEM NUMBER



68 CIRCUIT ASSEMBLY SHOWN  
 SCALE 2:1

<b>SEE SHEET 1</b> EC NO: UCP2017-0109 DRWN:POFF 2016/07/14 CHKD:DMORGAN 2016/07/14 APPR:DMCGOWAN 2016/08/17 REV L	QUALITY SYMBOLS ▽=0 ▽=0	GENERAL TOLERANCES (UNLESS SPECIFIED) <table border="1"> <tr> <th></th> <th>mm</th> <th>INCH</th> </tr> <tr> <td>4 PLACES</td> <td>± .10</td> <td>± .004</td> </tr> <tr> <td>3 PLACES</td> <td>± .10</td> <td>± .010</td> </tr> <tr> <td>2 PLACES</td> <td>± 0.25</td> <td>± .010</td> </tr> <tr> <td>1 PLACE</td> <td>± .10</td> <td>± .010</td> </tr> </table>		mm	INCH	4 PLACES	± .10	± .004	3 PLACES	± .10	± .010	2 PLACES	± 0.25	± .010	1 PLACE	± .10	± .010	DIMENSION STYLE MM/IN	SCALE 4:1	DESIGN UNITS INCH	THIRD ANGLE PROJECTION
		mm	INCH																		
	4 PLACES	± .10	± .004																		
	3 PLACES	± .10	± .010																		
2 PLACES	± 0.25	± .010																			
1 PLACE	± .10	± .010																			
DRAWN BY RAN	DATE 1995/04/26	CHECKED BY RAN	DATE 1995/04/26	TITLE SALES ASSMBLY EBBI 50D RIGHT ANGLE BLIND MATE PLUG																	
APPROVED BY CAB	DATE 1995/04/26	MATERIAL NO. SEE TABLE			DOCUMENT NO. SDA-71661-25**																
DRAFT WHERE APPLICABLE MUST REMAIN WITHIN DIMENSIONS		SIZE C	THIS DRAWING CONTAINS INFORMATION THAT IS PROPRIETARY TO MOLEX INCORPORATED AND SHOULD NOT BE USED WITHOUT WRITTEN PERMISSION																		