

**PLEASE CHECK WWW.MOLEX.COM FOR LATEST PART INFORMATION**

**Part Number:** [0622029890](#)  
**Status:** **Active**  
**Overview:** [Application Tooling](#)  
**Description:** Removal Tool for 1-by-2 Small Form-Factor Pluggable

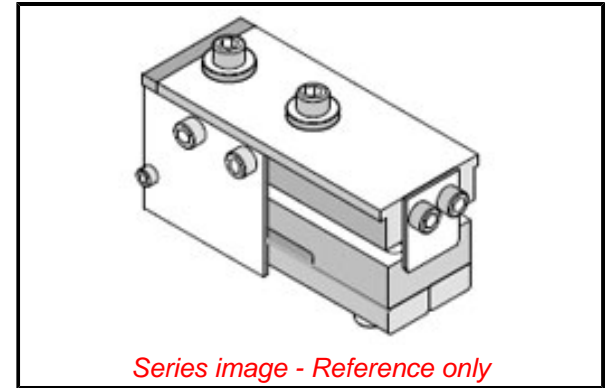
**Documents:**  
[RoHS Certificate of Compliance \(PDF\)](#)

**General**

Product Family	Application Tooling
Series	<a href="#">207123</a>
Comments	See Tooling Specification (PDF) Above, See Tooling Specification (PDF) Above
Function	Removal
Geographic Area	Global
Level of Automation	Manual
More Detailed Tech Information	<a href="mailto:applicationtooling@molex.com">applicationtooling@molex.com</a>
Overview	<a href="#">Application Tooling</a>
Product Name	PremiumGrade
Tool Type	Press-Fit Extraction Tool
UPC	883906263980
Warranty Disclaimer	CAUTION: Molex tooling crimp specifications are valid only when used with Molex terminals and tooling manufactured by Molex and sold by Molex or authorized distributors ("Molex Tooling"). When using tooling other than Molex Tooling with Molex specific connector systems listed in our ATS documents, the Molex tooling qualification does not apply and the responsibility for full qualification of the connector system is that of the customer. Molex accepts no liability for connector performance or tooling support where tooling other than Molex Tooling is used or where Molex Tooling is modified.

**Material Info**

**Reference - Drawing Numbers**  
[Application Tooling Documents](#)      [ATS-622029890](#)



**EU ELV**

**Not Reviewed**

**EU RoHS**

**Not Reviewed**

**REACH SVHC**

Not Reviewed

**Halogen-Free**

**Status**

**Not Reviewed**

For more information, please visit [Contact US](#)

China ROHS

Not Reviewed

ELV

Not Reviewed

RoHS Phthalates

Not Reviewed

**Search Parts in this Series**

[207123 Series](#)

**Use With**

SFP Plus (SFP+) Cage [74754](#)

**Application Tooling** | [FAQ](#)

**Description**      **Product #**

1.57mm Diameter, Standard .062" Pin and Socket Crimp Terminal, Female, with Tin (Sn) Plated Brass Contact, 18-24 AWG, Reel      [2061101](#)

1.57mm Diameter, Standard .062" Pin and Socket Crimp Terminal, Female, with Tin (Sn) Plated Brass Contact, 18-24 AWG, Bag      [2061103](#)

1.57mm Diameter, Standard .062" Pin and Socket Crimp Terminal, Series 4529, Female, with

1.57mm Diameter, Standard .062" Pin and Socket Crimp Terminal, Series 4529, Female, with

1.57mm Diameter, Standard .062" Pin and Socket Crimp Terminal, Series 4529, Female, with

1.57mm Diameter, Standard .062" Pin and Socket Crimp Terminal, Series 4529, Female, with

1.57mm Diameter, Standard .062" Pin and Socket Crimp Terminal, Series 4529, Female, with

1.57mm Diameter, Standard .062" Pin and Socket Crimp Terminal, Series 4529, Female, with

1.57mm Diameter, Standard .062" Pin and Socket Crimp Terminal, Series 4529, Female, with

1.57mm Diameter, Standard .062" Pin and Socket Crimp Terminal, Series 4529, Female, with

1.57mm Diameter, Standard .062" Pin and Socket Crimp Terminal, Series 4529, Female, with

1.57mm Diameter, Standard .062" Pin and Socket Crimp Terminal, Series 4529, Female, with

1.57mm Diameter, Standard .062" Pin and Socket Crimp Terminal, Series 4529, Female, with

1.57mm Diameter, Standard .062" Pin and Socket Crimp Terminal, Series 4529, Female, with

1.57mm Diameter, Standard .062" Pin and Socket Crimp Terminal, Series 4529, Female, with

1.57mm Diameter, Standard .062" Pin and Socket Crimp Terminal, Series 4529, Female, with

1.57mm Diameter, Standard .062" Pin and Socket Crimp Terminal, Series 4529, Female, with

1.57mm Diameter, Standard .062" Pin and Socket Crimp Terminal, Series 4529, Female, with

1.57mm Diameter, Standard .062" Pin and Socket Crimp Terminal, Series 4529, Female, with

Tin (Sn) Plated  
Phosphor Bronze  
Contact, 18-24 AWG,  
Reel  
1.57mm Diameter, 2061118  
Standard .062" Pin  
and Socket Crimp  
Terminal, Series  
1561, Female, with  
Tin (Sn) Plated Brass  
Contact, Without  
Locking Tabs,  
18-24 AWG, Reel  
Packaged  
1.57mm Diameter, 2061131  
Standard .062" Pin  
and Socket Crimp  
Terminal, Series  
1855, Female, with  
Tin (Sn) Plated Brass  
Contact, 24-30 AWG,  
Reel  
1.57mm Diameter, 2061132  
Standard .062" Pin  
and Socket Crimp  
Terminal, Series  
1855, Female, with  
Tin (Sn) Plated Brass  
Contact, 24-30 AWG,  
Bag  
1.57mm Diameter, 2061141  
Standard .062" Pin  
and Socket Crimp  
Terminal, Series  
1855, Female, with  
Tin (Sn) Plated  
Brass Contact,  
24-30 AWG, Without  
Locking Tabs, Reel  
Packaged  
1.57mm Diameter, 2061143  
Standard .062" Pin  
and Socket Crimp  
Terminal, Series  
1855, Female, with  
Tin (Sn) Plated Brass  
Contact, 24-30 AWG,  
Reel Packaged with  
Interleaf Paper  
1.57mm Diameter, 2062101  
Standard .062" Pin  
and Socket Crimp  
Terminal, Series  
1560, Male, with Tin  
(Sn) Plated Brass  
Contact, 18-24 AWG,  
Reel  
1.57mm Diameter, 2062103  
Standard .062" Pin  
and Socket Crimp  
Terminal, Series  
1560, Male, with Tin  
(Sn) Plated Brass  
Contact, 18-24 AWG,  
Bag

1.57mm Diameter, [2062131](#)  
Standard .062" Pin  
and Socket Crimp  
Terminal, Series  
1854, Male, with Tin  
(Sn) Plated Brass  
Contact, 24-30 AWG,  
Reel

1.57mm Diameter, [2062132](#)  
Standard .062" Pin  
and Socket Crimp  
Terminal, Series  
1854, Male, with Tin  
(Sn) Plated Brass  
Contact, 24-30 AWG,  
Bag

1.57mm Diameter, [2065100](#)  
Standard .062" Pin  
and Socket Crimp  
Terminal, Female,  
with 0.38 $\mu$ m Gold  
(Au) Plated Brass  
Contact, 18-24 AWG,  
Reel

1.57mm Diameter, [2065101](#)  
Standard .062" Pin  
and Socket Crimp  
Terminal, Female,  
with 0.76 $\mu$ m Gold  
(Au) Plated Brass  
Contact, 18-24 AWG,  
Reel

1.57mm Diameter, [2065102](#)  
Standard .062" Pin  
and Socket Crimp  
Terminal, Female,  
with 0.76 $\mu$ m Gold  
(Au) Plated Brass  
Contact, 18-24 AWG,  
Bag

1.57mm Diameter, [2065103](#)  
Standard .062" Pin  
and Socket Crimp  
Terminal, Female,  
with 0.38 $\mu$ m Gold  
(Au) Plated Brass  
Contact, 18-24 AWG,  
Bag

1.57mm Diameter, [2065104](#)  
Standard .062" Pin  
and Socket Crimp  
Terminal, Series  
1561, Female,  
with 1.27 $\mu$ m Gold  
Max. Insulation  
Diameter, Loose in  
Bag Packaged

1.57mm Diameter, [2065105](#)  
Standard .062" Pin  
and Socket Crimp  
Terminal, Series  
1561, Female, with  
1.27 $\mu$ m Gold Max.  
Insulation Diameter,  
Reel

1.57mm Diameter, [2065108](#)  
Standard .062" Pin  
and Socket Crimp  
Terminal, Female,  
with Selective Gold  
(Au) Plated Brass  
Contact, 18-24 AWG,  
Reel

1.57mm Diameter, [2065109](#)  
Standard .062" Pin  
and Socket Crimp  
Terminal, Female,  
with Selective Gold  
(Au) Plated Brass  
Contact, 18-24 AWG,  
Bag

1.57mm Diameter, [2065130](#)  
Standard .062" Pin  
and Socket Crimp  
Terminal, Series  
1855, Female,  
with 0.38 $\mu$ m Gold  
(Au) Plated Brass  
Contact, 24-30 AWG,  
Reel

1.57mm Diameter, [2065135](#)  
Standard .062" Pin  
and Socket Crimp  
Terminal, Series  
1855, Female,  
with 0.38 $\mu$ m Gold  
(Au) Plated Brass  
Contact, 24-30 AWG,  
Bag

1.57mm Diameter, [2065138](#)  
Standard .062" Pin  
and Socket Crimp  
Terminal, Series  
1855, Female,  
with 0.76 $\mu$ m Gold  
(Au) Plated Brass  
Contact, 24-30 AWG,  
Reel

1.57mm Diameter, [2065139](#)  
Standard .062" Pin  
and Socket Crimp  
Terminal, Series  
1855, Female,  
with 0.76 $\mu$ m Gold  
(Au) Plated Brass  
Contact, 24-30 AWG,  
Bag

1.57mm Diameter, [2065147](#)  
Standard .062" Pin  
and Socket Crimp  
Terminal, Series  
1855, Female, with  
Selective Gold  
(Au) Plated Brass  
Contact, 24-30 AWG,  
Reel

1.57mm Diameter, [2065148](#)  
Standard .062" Pin  
and Socket Crimp  
Terminal, Series

1855, Female, with  
Selective Gold  
(Au) Plated Brass  
Contact, 24-30 AWG,  
Bag

1.57mm Diameter, 2066100

Standard .062" Pin  
and Socket Crimp  
Terminal, Series

1560, Male, with  
Gold (Au) Plated  
Brass Contact, 18-24  
AWG, Reel

1.57mm Diameter, 2066101

Standard .062"  
Pin and Socket  
Crimp Terminal,

Series 1560, Male,  
with .76µm Selective  
Gold (Au) Plated

Brass Contact,  
18-24 AWG, Reel  
Packaged

1.57mm Diameter, 2066102

Standard .062"  
Pin and Socket  
Crimp Terminal,

Series 1560, Male,  
with .76µm Selective  
Gold (Au) Plated

Brass Contact, 18-24  
AWG, Bag Packaged

1.57mm Diameter, 2066103

Standard .062" Pin  
and Socket Crimp  
Terminal, Series

1560, Male, with  
Gold (Au) Plated  
Brass Contact, 18-24

AWG, Bag  
1.57mm Diameter, 2066104

Standard .062"  
Pin and Socket  
Crimp Terminal,

Series 1560, Male,  
with Selective  
1.27µm Select Gold  
(Au) Plated Brass

Contact, 18-24 AWG,  
Bag Packaged

1.57mm Diameter, 2066118

Standard .062" Pin  
and Socket Crimp  
Terminal, Series

1560, Male, with  
Selective Gold  
(Au) Plated Brass

Contact, Tin/Lead  
Plated Crimp Area,  
18-24 AWG, Reel

1.57mm Diameter, 2066119

Standard .062" Pin  
and Socket Crimp  
Terminal, Series

1560, Male, with

Selective Gold  
(Au) Plated Brass  
Contact, Tin/Lead  
Plated Crimp Area,  
18-24 AWG, Bag  
1.57mm Diameter, 2066122  
Standard .062"  
Pin and Socket  
PC Tail Terminal,  
Series 1778, Male,  
with Selective Gold  
(Au) Plated Brass  
Contact, Bag  
1.57mm Diameter, 2066130  
Standard .062" Pin  
and Socket Crimp  
Terminal, Series  
1854, Male, with  
Gold (Au) Plated  
Brass Contact, 24-30  
AWG, Reel  
1.57mm Diameter, 2066135  
Standard .062" Pin  
and Socket Crimp  
Terminal, Series  
1854, Male, with  
Gold (Au) Plated  
Brass Contact, 24-30  
AWG, Bag  
1.57mm Diameter, 2066138  
Standard .062" Pin  
and Socket Crimp  
Terminal, Series  
1854, Male, with  
Selective Gold  
(Au) Plated Brass  
Contact, 24-30 AWG,  
Reel  
1.57mm Diameter, 2066139  
Standard .062" Pin  
and Socket Crimp  
Terminal, Series  
1854, Male, with  
Selective Gold  
(Au) Plated Brass  
Contact, 24-30 AWG,  
Bag  
1.57mm Diameter, 2066143  
Standard .062" Pin  
and Socket Crimp  
Terminal, Series  
1854, Male, with  
Selective Gold  
(Au) Plated Brass  
Contact, Tin (Sn)  
Plated Crimp Area,  
24-30 AWG, Reel  
1.57mm Diameter, 2066144  
Standard .062" Pin  
and Socket Crimp  
Terminal, Series  
1854, Male, with  
Selective Gold  
(Au) Plated Brass  
Contact, Tin (Sn)

Plated Crimp Area,  
24-30 AWG, Bag  
1.57mm Diameter, 2067103  
Standard .062" Pin  
and Socket PC Tail  
Terminal, Series  
1779, Female,  
with 2.54µm Tin  
(Sn) Plated Brass  
Contact, Bag  
Packaged  
1.57mm Diameter, 2067104  
Standard .062" Pin  
and Socket PC Tail  
Terminal, Series  
1779, Female,  
with .76µm Selective  
Gold (Au) Plated  
Brass Contact, Bag  
Packaged  
1.57mm Diameter, 2068103  
Standard .062" Pin  
and Socket PC Tail  
Terminal, Series  
1778, Male, with Tin  
(Sn) Plated Brass  
Contact, Bag  
MLX Crimp Terminal 2082008  
42023, 14-20 AWG,  
Bag Selective Gold  
(Au)  
2.36mm Diameter, 2091102  
Standard .093" Pin  
and Socket Crimp  
Terminal, Series  
1189, Female, with  
Tin (Sn) Plated Brass  
Contact, 14-20 AWG,  
Reel  
2.36mm Diameter, 2091104  
Standard .093" Pin  
and Socket Crimp  
Terminal, Series  
1189, Female, with  
Tin (Sn) Plated Brass  
Contact, 14-20 AWG,  
Bag  
2.36mm Diameter, 2091117  
Standard .093" Pin  
and Socket Crimp  
Terminal, Series  
1381, Female, with  
Tin (Sn) Plated Brass  
Contact, 18-22 AWG,  
Reel  
2.36mm Diameter, 2091119  
Standard .093" Pin  
and Socket Crimp  
Terminal, Series  
1381, Female, with  
Tin (Sn) Plated Brass  
Contact, 18-22 AWG,  
Bag  
2.36mm Diameter, 2091122  
Standard .093" Pin

and Socket Crimp  
Terminal, Series  
2273, Female, with  
Tin (Sn) Plated  
Contact, Low  
Engagement Force,  
18-22 AWG, Reel  
2.36mm Diameter, 2091123  
Standard .093" Pin  
and Socket Crimp  
Terminal, Series  
2273, Female, with  
Tin (Sn) Plated  
Contact, Low  
Engagement Force,  
18-22 AWG, Bag  
2.36mm Diameter, 2091134  
Standard .093" Pin  
and Socket PC Tail  
Terminal, Series  
1377, Female, with  
Tin (Sn) Plated  
Contact, Bag  
2.36mm Diameter, 2091155  
Standard .093" Pin  
and Socket Crimp  
Terminal, Series  
41483, Female, with  
Tin (Sn) Plated Brass  
Contact, 14-18 AWG  
with Large Insulation  
Diameter, Chain  
2.36mm Diameter, 2091205  
Standard .093" Pin  
and Socket Crimp  
Terminal, Series  
4550, Female, with  
Tin (Sn) Plated  
Phosphor Bronze  
Contact, 14-20 AWG,  
Reel  
2.36mm Diameter, 2091206  
Standard .093" Pin  
and Socket Crimp  
Terminal, Series  
4550, Female, with  
Tin (Sn) Plated  
Phosphor Bronze  
Contact, 14-20 AWG,  
Bag  
2.36mm Diameter, 2091615  
Standard .093"  
Pin and Socket  
Crimp Terminal,  
Series 42477,  
Female, with Tin  
(Sn) Plated Contact,  
High Current/Low  
Engagement Force,  
14-18 AWG, Reel  
2.36mm Diameter, 2092101  
Standard .093" Pin  
and Socket Crimp  
Terminal, Series  
1190, Male, with Tin



(Sn) Plated Brass  
Contact, 14-20 AWG,  
Reel  
2.36mm Diameter, 2092103  
Standard .093" Pin  
and Socket Crimp  
Terminal, Series  
1190, Male, with Tin  
(Sn) Plated Brass  
Contact, 14-20 AWG,  
Bag  
2.36mm Diameter, 2092116  
Standard .093" Pin  
and Socket Crimp  
Terminal, Series  
1380, Male, with Tin  
(Sn) Plated Brass  
Contact, 18-22 AWG,  
Reel  
2.36mm Diameter, 2092117  
Standard .093" Pin  
and Socket Crimp  
Terminal, Series  
1380, Male, with Tin  
(Sn) Plated Brass  
Contact, without  
Dents, 18-22 AWG,  
Reel  
2.36mm Diameter, 2092118  
Standard .093" Pin  
and Socket Crimp  
Terminal, Series  
1380, Male, with Tin  
(Sn) Plated Brass  
Contact, 18-22 AWG,  
Bag  
2.36mm Diameter, 2092133  
Standard .093" Pin  
and Socket PC Tail  
Terminal, Series  
1376, Male, with Tin/  
Lead (Sn/Pb) Plated  
Contact, With Detent,  
Bag Packaged  
2.36mm Diameter, 2092134  
Standard .093" Pin  
and Socket PC Tail  
Terminal, Series  
1376, Male, with Tin  
(Sn) Plated Contact,  
Without Detent, Bag  
Packaged  
2.36mm Diameter, 2092166  
Standard .093" Pin  
and Socket Crimp  
Terminal, Series  
4549, Male, with  
Tin (Sn) Plated  
Phosphor Bronze  
Contact, 14-20 AWG,  
Reel Packaged  
2.36mm Diameter, 2092167  
Standard .093" Pin  
and Socket Crimp  
Terminal, Series

4549, Male, with  
Tin (Sn) Plated  
Phosphor Bronze  
Contact, 14-20 AWG,  
Bag Packaged  
2.36mm Diameter, 2092170  
Standard .093" Pin  
and Socket Crimp  
Terminal, Series  
1190, Male, with Tin  
(Sn) Plated Brass  
Contact, 14-18 AWG,  
Large Insulation  
Crimp, Reel  
2.36mm Diameter, 2092171  
Standard .093" Pin  
and Socket Crimp  
Terminal, Series  
1190, Male, with Tin  
(Sn) Plated Brass  
Contact, 14-18 AWG,  
Large Insulation  
Crimp, Bag  
2.36mm Diameter, 2092611  
Standard .093" Pin  
and Socket Crimp  
Terminal, Series  
42478, Male, with Tin  
(Sn) Plated Contact,  
High Current/Low  
Engagement Force,  
14-18 AWG, Reel  
2.36mm Diameter, 2095100  
Standard .093" Pin  
and Socket Crimp  
Terminal, Series  
1189, Female, with  
Gold (Au) Plated  
Brass Contact, 14-20  
AWG, Reel  
2.36mm Diameter, 2095101  
Standard .093" Pin  
and Socket Crimp  
Terminal, Series  
1190, Male, with Tin  
(Sn) Plated Brass  
Contact, 14-20 AWG,  
Chain  
2.36mm Diameter, 2095102  
Standard .093" Pin  
and Socket Crimp  
Terminal, Series  
1189, Female, with  
Selective Gold  
(Au) Plated Brass  
Contact, 14-20 AWG,  
Reel  
2.36mm Diameter, 2095106  
Standard .093" Pin  
and Socket Crimp  
Terminal, Series  
1189, Female, with  
Gold (Au) Plated  
Brass Contact, 14-20  
AWG, Bag

2.36mm Diameter, [2095111](#)  
Standard .093" Pin  
and Socket Crimp  
Terminal, Series  
1189, Female, with  
Selective Gold  
(Au) Plated Brass  
Contact, 14-20 AWG,  
Bag

2.36mm Diameter, [2095130](#)  
Standard .093" Pin  
and Socket Crimp  
Terminal, Series  
1381, Female, with  
Selective Gold  
(Au) Plated Brass  
Contact, 18-22 AWG,  
Reel

2.36mm Diameter, [2095132](#)  
Standard .093" Pin  
and Socket PC Tail  
Terminal, Series  
1377, Female, with  
Gold (Au) Plated  
Contact, Bag

2.36mm Diameter, [2095133](#)  
Standard .093" Pin  
and Socket Crimp  
Terminal, Series  
1381, Female, with  
Selective Gold  
(Au) Plated Brass  
Contact, 18-22 AWG,  
Bag

2.36mm Diameter, [2095142](#)  
Standard .093" Pin  
and Socket Crimp  
Terminal, Series  
1381, Female, with  
Gold (Au) Plated  
Brass Contact, 18-22  
AWG, Bag

2.36mm Diameter, [2095143](#)  
Standard .093" Pin  
and Socket Crimp  
Terminal, Series  
1381, Female, with  
Gold (Au) Plated  
Brass Contact, 18-22  
AWG, Reel

2.36mm Diameter, [2095169](#)  
Standard .093" Pin  
and Socket Crimp  
Terminal, Series  
4550, Female, with  
Gold (Au) Plated  
Phosphor Bronze  
Contact, 14-20 AWG,  
Reel

2.36mm Diameter, [2095170](#)  
Standard .093" Pin  
and Socket Crimp  
Terminal, Series  
4550, Female, with  
Gold (Au) Plated

Phosphor Bronze  
Contact, 14-20 AWG,  
Bag  
2.36mm Diameter, 2096100  
Standard .093" Pin  
and Socket Crimp  
Terminal, Series  
1190, Male, with  
Gold (Au) Plated  
Brass Contact, 14-20  
AWG, Reel  
2.36mm Diameter, 2096101  
Standard .093" Pin  
and Socket Crimp  
Terminal, Series  
1190, Male, with  
Selective Gold  
(Au) Plated Brass  
Contact, 14-20 AWG,  
Reel  
2.36mm Diameter, 2096102  
Standard .093" Pin  
and Socket Crimp  
Terminal, Series  
1189, Female, with  
Tin (Sn) Plated Brass  
Contact, 14-20 AWG,  
Reel  
2.36mm Diameter, 2096106  
Standard .093" Pin  
and Socket Crimp  
Terminal, Series  
1190, Male, with  
Gold (Au) Plated  
Brass Contact, 14-20  
AWG, Bag  
2.36mm Diameter, 2096110  
Standard .093" Pin  
and Socket Crimp  
Terminal, Series  
1190, Male, with  
Selective Gold  
(Au) Plated Brass  
Contact, 14-20 AWG,  
Bag  
2.36mm Diameter, 2096122  
Standard .093" Pin  
and Socket Crimp  
Terminal, Series  
1380, Male, with  
Gold (Au) Plated  
Brass Contact, 18-22  
AWG, Reel  
2.36mm Diameter, 2096123  
Standard .093" Pin  
and Socket Crimp  
Terminal, Series  
1380, Male, with  
Gold (Au) Plated  
Brass Contact, 18-22  
AWG, Bag  
2.36mm Diameter, 2096125  
Standard .093" Pin  
and Socket Crimp  
Terminal, Series

1380, Male, with  
Selective Gold  
(Au) Plated Brass  
Contact, 18-22 AWG,  
Reel

2.36mm Diameter, 2096126

Standard .093" Pin  
and Socket Crimp  
Terminal, Series

1380, Male, with  
Selective Gold  
(Au) Plated Brass  
Contact, 18-22 AWG,  
Bag

2.36mm Diameter, 2096132

Standard .093"  
Pin and Socket

PC Tail Terminal,  
Series 1376, Male,  
with Gold (Au)  
Plated Contact,  
Without Detent, Bag  
Packaged

2.36mm Diameter, 2098103

Standard .093" Pin  
and Socket Crimp  
Grounding Terminal,  
Series 1973, Male,  
with Tin (Sn) Plated  
Brass Contact, 18-22  
AWG, Reel

2.36mm Diameter, 2098104

Standard .093" Pin  
and Socket Crimp  
Grounding Terminal,  
Series 1973, Male,  
with Tin (Sn) Plated  
Brass Contact, 18-22  
AWG, Bag

2.36mm Diameter, 2098108

Standard .093" Pin  
and Socket Crimp  
Grounding Terminal,  
Series 1973, Male,  
with Tin (Sn) Plated  
Brass Contact, 14-18  
AWG, Reel

2.36mm Diameter, 2098109

Standard .093" Pin  
and Socket Crimp  
Grounding Terminal,  
Series 1973, Male,  
with Tin (Sn) Plated  
Brass Contact, 14-18  
AWG, Bag

Mini-Fit Jr. 3044052

Receptacle Housing,  
Single Row, 5  
Circuits, UL 94V-2,  
Natural

1.57mm Diameter 3061011

Standard .062"  
Pin and Socket  
Receptacle Housing,  
1 Circuits, Natural

1.57mm Diameter    3061022  
Standard .062"  
Pin and Socket  
Receptacle Housing,  
2 Circuits, with Pre-  
bent Mounting Ears,  
Natural

1.57mm Diameter    3061023  
Standard .062"  
Pin and Socket  
Receptacle Housing,  
2 Circuits, without  
Mounting Ears,  
Natural

1.57mm Diameter    3061031  
Standard .062"  
Pin and Socket  
Receptacle Housing,  
3 Circuits, with  
Standard Mounting  
Ears

1.57mm Diameter    3061032  
Standard .062"  
Pin and Socket  
Receptacle Housing,  
3 Circuits, without  
Mounting Ears,  
Natural

1.57mm Diameter    3061038  
Standard .062"  
Pin and Socket  
Receptacle Housing,  
3 Circuits, with Pre-  
bent Mounting Ears,  
Natural

1.57mm Diameter    3061041  
Standard .062"  
Pin and Socket  
Receptacle Housing,  
4 Circuits, with  
Standard Mounting  
Ears

1.57mm Diameter    3061042  
Standard .062"  
Pin and Socket  
Receptacle Housing,  
4 Circuits, without  
Mounting Ears,  
Natural

1.57mm Diameter    3061044  
Standard .062"  
Pin and Socket  
Receptacle Housing,  
Dual Row, without  
Mounting Ears, PA  
Polyamide Nylon 6/6,  
UL 94V-2, 4 Circuits,  
Natural

1.57mm Diameter    3061062  
Standard .062"  
Pin and Socket  
Receptacle Housing,  
6 Circuits, without  
Mounting Ears,  
Natural

1.57mm Diameter Standard .062" Pin and Socket Receptacle Housing, 9 Circuits, without Mounting Ears, Natural	<u>3061092</u>
1.57mm Diameter Standard .062" Pin and Socket Receptacle Housing, 12 Circuits, with Standard Mounting Ears, Natural	<u>3061121</u>
1.57mm Diameter Standard .062" Pin and Socket Receptacle Housing, 12 Circuits, without Mounting Ears, Natural	<u>3061122</u>
1.57mm Diameter Standard .062" Pin and Socket Plug Housing, 1 Circuits, Natural	<u>3062011</u>
1.57mm Diameter Standard .062" Pin and Socket Plug Housing, 2 Circuits, without Mounting Ears, Natural	<u>3062023</u>
1.57mm Diameter Standard .062" Pin and Socket Plug Housing, 2 Circuits, with Pre- bent Mounting Ears, Natural	<u>3062024</u>
1.57mm Diameter Standard .062" Pin and Socket Plug Housing, 3 Circuits, with Standard Mounting Ears, Natural	<u>3062031</u>
1.57mm Diameter Standard .062" Pin and Socket Plug Housing, 3 Circuits, without Mounting Ears, Natural	<u>3062032</u>
1.57mm Diameter Standard .062" Pin and Socket Plug Housing, 3 Circuits, with Pre- bent Mounting Ears, Natural	<u>3062033</u>
1.57mm Diameter Standard .062" Pin and Socket Plug Housing, 4 Circuits, with Standard Mounting Ears	<u>3062041</u>

1.57mm Diameter Standard .062" Pin and Socket Plug Housing, 4 Circuits, without Mounting Ears, Natural	<u>3062042</u>
1.57mm Diameter Standard .062" Pin and Socket Plug Housing, Dual Row, without Mounting Ears, PA Polyamide Nylon 6/6, UL 94V-2, 4 Circuits, Natural	<u>3062044</u>
1.57mm Diameter Standard .062" Pin and Socket Plug Housing, 6 Circuits, without Mounting Ears, Natural	<u>3062061</u>
1.57mm Diameter Standard .062" Pin and Socket Plug Housing, 9 Circuits, without Mounting Ears, Natural	<u>3062092</u>
1.57mm Diameter Standard .062" Pin and Socket Plug Housing, 12 Circuits, with Pre- bent Mounting Ears, Natural	<u>3062121</u>
1.57mm Diameter Standard .062" Pin and Socket Plug Housing, 12 Circuits, without Mounting Ears, Natural	<u>3062122</u>
1.57mm Diameter Standard .062" Pin and Socket Receptacle Housing, 2 Circuits, without Mounting Ears, Black	<u>3066023</u>
1.57mm Diameter Standard .062" Pin and Socket Receptacle Housing, 6 Circuits, without Mounting Ears, Black	<u>3066062</u>
1.57mm Diameter Standard .062" Pin and Socket Plug Housing, Black, 2 Circuits, without Mounting Ears, Black	<u>3067023</u>
1.57mm Diameter Standard .062" Pin and Socket Plug Housing, Dual Row, without Mounting Ears, PA Polyamide Nylon 6/6, UL 94V-2, 4 Circuits, Black	<u>3067044</u>



1.57mm Diameter Standard .062" Pin and Socket Plug Housing, 6 Circuits, without Mounting Ears, Black	<u>3067061</u>
2.36mm Diameter Standard .093" Pin and Socket Receptacle Housing, 1 Circuit, Friction Lock, Natural	<u>3091011</u>
2.36mm Diameter Standard .093" Pin and Socket Receptacle Housing, 2 Circuits, without Mounting Ears, with Ramps, Natural	<u>3091022</u>
2.36mm Diameter Standard .093" Pin and Socket Receptacle Housing, 2 Circuits, with Pre- bent Mounting Ears, with Ramps, Natural	<u>3091027</u>
2.36mm Diameter Standard Receptacle Housing, 3 Circuit, Natural	<u>3091030</u>
2.36mm Diameter Standard .093" Pin and Socket Receptacle Housing, 3 Circuits, Single Row, Natural	<u>3091031</u>
2.36mm Diameter Standard .093" Pin and Socket Receptacle Housing, 3 Circuits, Single Row, Natural	<u>3091032</u>
2.36mm Diameter Standard .093" Pin and Socket Receptacle Housing, 3 Circuits, Single Row, Free-Hanging, without Passive Lock Ramps, Natural	<u>3091033</u>
2.36mm Diameter Standard .093" Pin and Socket Receptacle Housing, 4 Circuits, Single Row, Natural	<u>3091041</u>
2.36mm Diameter Standard .093" Pin and Socket Receptacle Housing, 4 Circuits, Single Row, Natural	<u>3091042</u>
2.36mm Diameter Standard .093" Pin and Socket	<u>3091049</u>

Receptacle Housing,  
4 Circuits, Dual Row,  
without Mounting  
Ears, Natural  
2.36mm Diameter 3091061  
Standard .093"  
Pin and Socket

Receptacle Housing,  
6 Circuits, Dual Row,  
Natural  
2.36mm Diameter 3091062  
Standard .093"  
Pin and Socket

Receptacle Housing,  
6 Circuits, Dual Row,  
Natural  
2.36mm Diameter 3091063  
Standard .093"  
Pin and Socket

Receptacle Housing,  
6 Circuits, Dual Row,  
without Panel Mount  
Ears, without Friction  
Lock Ramp  
2.36mm Diameter 3091064  
Standard .093"  
Pin and Socket

Receptacle Housing,  
6 Circuits, Dual Row,  
Natural  
2.36mm Diameter 3091081  
Standard .093"  
Pin and Socket

Receptacle Housing,  
3 Circuits, Single  
Row, Natural  
2.36mm Diameter 3091091  
Standard .093"  
Pin and Socket

Receptacle  
Housings, 9 Circuits,  
3 Rows, Natural  
2.36mm Diameter 3091092  
Standard .093"  
Pin and Socket

Receptacle  
Housings, 9 Circuits,  
3 Rows, with Panel  
Mount Ears, without  
Passive Lock Ramp  
2.36mm Diameter 3091093  
Standard .093"  
Pin and Socket

Receptacle  
Housings, 9 Circuits,  
3 Rows, without  
Panel Mount Ears,  
without Passive Lock  
Ramp  
2.36mm Diameter 3091094  
Standard .093"  
Pin and Socket

Receptacle  
Housings, 9 Circuits,  
3 Rows, Natural

2.36mm Diameter 3091121  
Standard .093"  
Pin and Socket  
Receptacle Housing,  
12 Circuits, 3 Rows,  
Panel Mountable,  
without Passive  
Locking Ramps

2.36mm Diameter 3091125  
Standard .093"  
Pin and Socket  
Receptacle Housing,  
12 Circuits, 3 Rows,  
Natural

2.36mm Diameter 3091126  
Standard .093"  
Pin and Socket  
Receptacle Housing,  
12 Circuits, 3 Rows,  
Natural

2.36mm Diameter 3091151  
Standard .093"  
Pin and Socket  
Receptacle Housing,  
15 Circuits, 3 Rows,  
with Pre-Bent  
Mounting Ears,  
without Lock Ramps

2.36mm Diameter 3091152  
Standard .093"  
Pin and Socket  
Receptacle Housing,  
15 Circuits, 3 Rows,  
without Mounting  
Ears, without Lock  
Ramps

2.36mm Diameter 3091153  
Standard .093"  
Pin and Socket  
Receptacle Housing,  
15 Circuits, 3 Rows,  
with Pre-bent  
Mounting Ears, with  
Lock Ramps

2.36mm Diameter 3091157  
Standard .093"  
Pin and Socket  
Receptacle Housing,  
15 Circuits, 3 Rows,  
without Mounting  
Ears, with Lock  
Ramps

2.36mm Diameter 3091161  
Standard .093"  
Pin and Socket  
Receptacle Housing  
without Mounting  
Ears, Positive Lock,  
2 Circuits

2.36mm Diameter 3092011  
Standard .093" Pin  
and Socket Plug  
Housing, 1 Circuit,  
Friction Lock, Natural

2.36mm Diameter Standard .093" Pin and Socket Plug Housing, 2 Circuits, with Standard Mounting Ears, Natural	<u>3092021</u>
2.36mm Diameter Standard .093" Pin and Socket Plug Housing, 2 Circuits, without Mounting Ears, Natural	<u>3092022</u>
2.36mm Diameter Standard .093" Pin and Socket Plug Housing, 3 Circuits, Single Row, Natural	<u>3092031</u>
2.36mm Diameter Standard .093" Pin and Socket Plug Housing, 3 Circuits, Single Row, Natural	<u>3092032</u>
2.36mm Diameter Standard .093" Pin and Socket Plug Housing, 4 Circuits, Single Row	<u>3092041</u>
2.36mm Diameter Standard .093" Pin and Socket Plug Housing, 4 Circuits, Single Row	<u>3092042</u>
2.36mm Diameter Standard .093" Pin and Socket Plug Housing, 4 Circuits, Dual Row, without Mounting Ears, Natural	<u>3092049</u>
2.36mm Diameter Standard .093" Pin and Socket Plug Housing, 6 Circuits, Dual Row	<u>3092061</u>
2.36mm Diameter Standard .093" Pin and Socket Plug Housing, 6 Circuits, Dual Row	<u>3092062</u>
2.36mm Diameter Standard .093" Pin and Socket Plug Housings, 9 Circuits, 3 Rows	<u>3092092</u>
2.36mm Diameter Standard .093" Pin and Socket Plug Housing, 12 Circuits, 3 Rows	<u>3092121</u>
2.36mm Diameter Standard .093" Pin and Socket Plug Housing, 12 Circuits, 3 Rows	<u>3092122</u>

2.36mm Diameter Standard .093" Pin and Socket Plug Housing, 15 Circuits, 3 Rows, without Mounting Ears, with Pull Tabs, without Lock Windows	<u>3092151</u>
2.36mm Diameter Standard .093" Pin and Socket Plug Housing, 15 Circuits, 3 Rows, with Pre- Bent Mounting Ears, without Pull Tabs, with Lock Windows	<u>3092159</u>
2.36mm Diameter Standard .093" Pin and Socket Plug Housing without Mounting Ears, Positive Lock, 2 Circuits	<u>3092161</u>
2.36mm Diameter Standard .093" Pin and Socket Receptacle Housing, 2 Circuits, with Pre- bent Mounting Ears, with Ramps, Black	<u>3096021</u>
2.36mm Diameter Standard .093" Pin and Socket Plug Housing, 2 Circuits, without Mounting Ears, Black	<u>3097022</u>
2.36mm Diameter Standard .093" Pin and Socket Plug Housing, 2 Circuits, without Mounting Ears, Red	<u>3097024</u>
2.36mm Diameter Standard .093" Pin and Socket Plug Housing, 3 Circuits, Single Row, Black	<u>3097032</u>
3.18mm Diameter, HCS125, Pin and Socket Receptacle Housing, 2 Circuits, Single Row, with and without Panel Mount Ears	<u>3121022</u>
3.18mm Diameter, HCS125, Pin and Socket Receptacle Housing, Single Row, 2 Circuits, Natural (Translucent)	<u>3121026</u>
3.18mm Diameter, HCS125, Pin and Socket Receptacle Housing, Single Row, without Panel	<u>3121036</u>

Mount Ears, 3  
Circuits, Natural,  
Nylon 94V-2  
3.18mm Diameter, 3121046  
HCS125, Pin and  
Socket Receptacle  
Housing, Single  
Row, 4 Circuits,  
Natural (Translucent)  
3.18mm Diameter, 3122022  
HCS125, Pin  
and Socket Plug  
Housing, 2 Circuits,  
Single Row, with and  
without Panel Mount  
Ears  
3.18mm Diameter, 3122025  
HCS125, Pin  
and Socket Plug  
Housing, Single  
Row, with Panel  
Mount Ears, 2  
Circuits, Natural  
(Translucent)  
3.18mm Diameter, 3122026  
HCS125, Pin  
and Socket Plug  
Housing, Single  
Row, without Panel  
Mount Ears, 2  
Circuits, Natural  
(Translucent)  
3.18mm Diameter, 3122035  
HCS125, Pin  
and Socket Plug  
Housing, Single  
Row, with Panel  
Mount Ears, 3  
Circuits, Natural,  
Nylon 94V-2  
3.18mm Diameter, 3122036  
HCS125, Pin  
and Socket Plug  
Housing, Single  
Row, without Panel  
Mount Ears, 3  
Circuits, Natural,  
Nylon 94V-2  
3.18mm Diameter, 3122045  
HCS125, Pin  
and Socket Plug  
Housing, Single  
Row, with Panel  
Mount Ears, 4  
Circuits, Natural  
(Translucent)  
3.18mm Diameter, 3122046  
HCS125, Pin  
and Socket Plug  
Housing, Single  
Row, without Panel  
Mount Ears, 4  
Circuits, Natural  
(Translucent)

Crimp Terminal 2482, 10-16 AWG, Reel	<u>5121004</u>
Crimp Terminal 2482, 10-16 AWG, Bag	<u>5121005</u>
Crimp Terminal 2482, 10-16 AWG, Reel	<u>5121006</u>
Crimp Terminal 2482, 10-16 AWG, Reel	<u>5121008</u>
Crimp Terminal 6482, 14-18 AWG, Reel	<u>5121104</u>
Flat Blade Appliance Motor Switch Crimp Housing, 10 Circuits	<u>6021103</u>
Flat Blade Appliance Water Valve Crimp Housing, 3 Circuit, Natural	<u>6022030</u>
Flat Blade Appliance Defrost Timer Crimp Housing, 4 Circuit, 4 Circuits	<u>6023042</u>
Flat Blade Appliance Motor Switch Crimp Housing, 10 Circuit, 10 Circuits	<u>6023103</u>
Flat Blade Appliance Dryer Motor Crimp Housing, 10 Circuit	<u>6023104</u>
KK 254 Cat Ear Crimp Terminal 4809, 22-30 AWG, Hot Tin Dip, 2.20mm Insulation Crimp, Reel	<u>8500030</u>
KK 254 Cat Ear Crimp Terminal 4809, 22-30 AWG, Hot Tin Dip, Reel	<u>8500031</u>
KK 254 Cat Ear Crimp Terminal 4809, 22-30 AWG, Hot Tin Dip, Bag	<u>8500032</u>
KK 396 Crimp Terminal 2478, 18-24 AWG, Bag, Brass Tin (Sn)	<u>8500106</u>
KK 254 Crimp Terminal, 22-30 AWG, Hot Tin (Sn) Dip Plating	<u>8500113</u>
KK 254 Crimp Terminal, 22-30 AWG, Bag, Hot Tin (Sn) Dip Plating	<u>8500114</u>
KK 254 Crimp Terminal 4809, 22-30 AWG, Hot Tin Dip, Reel	<u>8500135</u>

KK 254 Crimp	<u>8500136</u>
Terminal 4809, 22-30	
AWG, Tin, Bag	
KK 254 Crimp	<u>8500159</u>
Terminal, 22-30	
AWG, Reel, Tin (Sn)	
Plating, Nickel (Ni)	
Under Plating	
KK 254 Crimp	<u>8500160</u>
Terminal, 22-30	
AWG, Bag, Tin (Sn)	
Plating, Nickel (Ni)	
Under Plating	
KK 100 Crp Term	<u>8510101</u>
Std 22-30 Awg Unplt	
KK 254 Crimp	<u>8510108</u>
Terminal, 22-30	
AWG, Reel, Tin (Sn),	
Nickel (Ni) Under	
Plating	
KK 396 Crimp	<u>8520072</u>
Terminal 2478,	
18-24 AWG, Bag,	
Phosphor Bronze,	
Tin (Sn)	
KK 254 Crimp	<u>8520101</u>
Terminal 6459,	
22-30 AWG, Reel,	
Phosphor Bronze Tin	
(Sn)	
KK Trifurcon Crimp	<u>8520112</u>
Terminal 6838,	
18-20 AWG, Reel,	
Phosphor Bronze	
Tin(Sn)	
KK Trifurcon Crimp	<u>8520113</u>
Terminal 6838,	
18-20 AWG, Bag,	
Phosphor Bronze Tin	
(Sn)	
KK .100 CRIMP	<u>8520118</u>
TERMINAL 100MI	
MATTE TIN	
KK 254 Crimp	<u>8520123</u>
Terminal 6459,	
22-30 AWG, Bag,	
Phosphor Bronze Tin	
(Sn)	
KK 254 Crimp	<u>8550101</u>
Terminal, 22-30	
AWG, Reel,	
Selective Gold (Au),	
Nickel (Ni) Under	
Plating	
KK 254 Crimp	<u>8550102</u>
Terminal, 22-30	
AWG, Bag, Selective	
Gold (Au), Nickel (Ni)	
Under Plating	
KK 254 Crimp	<u>8550110</u>
Terminal 4809, 22-30	
AWG, Selective Gold	
(Au), Reel	
KK 254 Crimp	<u>8550111</u>
Terminal 4809, 22-30	



AWG, Selective Gold (Au), Bag	
KK 254 Cat Ear	<u>8550112</u>
Crimp Terminal 4809, 22-30 AWG, Selective Gold, Reel	
KK 254 Crimp	<u>8550130</u>
Terminal, 22-30 AWG, Reel, Selective Gold (Au), Nickel (Ni) Under Plating	
KK 254 Crimp	<u>8550131</u>
Terminal, 22-30 AWG, Bag, Selective Gold (Au), Nickel (Ni) Under Plating	
KK 254 Crimp	<u>8560109</u>
Terminal, 22-30 AWG, Reel, Gold (Au), Nickel (Ni) Under Plating	
KK 254 Crimp	<u>8560110</u>
Terminal, 22-30 AWG, Bag, Gold (Au), Nickel (Ni) Under Plating	
KK 254 Crimp	<u>8560115</u>
Terminal 4809, 22-30 AWG, Selective Gold (Au), Bag	
KK 254 Crimp	<u>8560120</u>
Terminal 4809, 22-30 AWG, Selective Gold (Au), Reel	
KK 396 Crimp	<u>8650116</u>
Terminal 2578, 22-26 AWG, Reel, Phosphor Bronze, 0.38µm Selective Gold (Au)	
KK Trifurcon Crimp	<u>8650122</u>
Terminal 7258, 22-26 AWG, Bag, Phosphor Bronze Selective Gold (Au)	
KK 100 Crp Term	<u>8650801</u>
Std 22-30 Awg SGold	
KK 100 Crp Term	<u>8650811</u>
Std 22-30 Awg SGold	
KK 100 Crp Term	<u>8650812</u>
Std 22-30 Awg SGold	
KK 254 Crimp	<u>8650813</u>
Terminal 6459, 22-30 AWG, Reel, Phosphor Bronze Gold (Au)	
KK 254 Crimp	<u>8650814</u>
Terminal 6459, 22-30 AWG, Bag, Phosphor Bronze Gold (Au)	

KK 254 Crimp Terminal 6459, 22-30 AWG, Reel, Phosphor Bronze Selective Gold (Au)	<u>8650815</u>
KK 254 Crimp Terminal 6459, 22-30 AWG, Bag, Phosphor Bronze Selective Gold (Au)	<u>8650816</u>
KK 100 Crp Term Std 22-30 Awg SGold	<u>8650817</u>
3.96 and 5.08mm Pitch KK Cat Ear Crimp Terminal, Female, 18-24 AWG, Reel	<u>8700012</u>
3.96mm Pitch KK Crimp Housing, Edge Card Connector, Single-Sided, Polarized, Positive Lock, with Probe Hole, 3 Circuits	<u>9011036</u>
KK 396 PC Board Connector, Right Angle, Polyester Connector, 5.00µm Tin (Sn), 2 Circuits	<u>9481024</u>
KK 396 PC Board Connector, Right Angle, Polyester Connector, 5.00µm Tin (Sn), 2 Circuits	<u>9481104</u>
KK 396 PC Board Connector, Right Angle, Polyester Connector, 5.00µm Tin (Sn), 10 Circuits	<u>9481105</u>
KK 396 PC Board Connector, Top Entry, Polyester Connector, Gold (Au) Selective, 10 Circuits	<u>9483024</u>
KK 396 PC Board Connector, Bottom Entry, Polyester Connector, Gold (Au) Selective, 2 Circuits	<u>9483025</u>
KK 396 PC Board Connector, Right Angle, Polyester Connector, Gold (Au) Selective, 2 Circuits	<u>9483026</u>
KK 396 PC Board Connector, Top Entry, Polyester Connector, Gold (Au) Selective, 2 Circuits	<u>9483104</u>
KK 396 PC Board Connector, Bottom Entry, Polyester Connector, Gold (Au) Selective, 10 Circuits	<u>9483105</u>
KK 396 PC Board Connector, Right-Angle, Polyester Connector, Gold (Au) Selective, 10 Circuits	<u>9483105</u>

KK 396 PC Board 9483106  
Connector, Top  
Entry, Polyester  
Connector, Gold (Au)  
Selective, 10 Circuits

KK 396 PC Board 9484028  
Connector, Top  
Entry, Polyester  
Connector, 5.00µm  
Tin (Sn), 2 Circuits

KK 396 PC Board 9484029  
Connector, Bottom  
Entry, Polyester  
Connector, 5.00µm  
Tin (Sn), 2 Circuits

KK 396 PC Board 9484039  
Connector, Bottom  
Entry, Polyester  
Connector, 5.00µm  
Tin (Sn), 3 Circuits

KK 396 PC Board 9484099  
Connector, Bottom  
Entry, Polyester  
Connector, 5.00µm  
Tin (Sn), 9 Circuits

KK 396 PC Board 9484108  
Connector, Top  
Entry, Polyester  
Connector, 5.00µm  
Tin (Sn), 10 Circuits

KK 396 PC Board 9484109  
Connector, Bottom  
Entry, Polyester  
Connector, 5.00µm  
Tin (Sn), 10 Circuits

KK 396 PC Board 9484118  
Connector, Top  
Entry, Polyester  
Connector, 5.00µm  
Tin (Sn), 11 Circuits

KK 396 PC Board 9484149  
Connector, Bottom  
Entry, Polyester  
Connector, 5.00µm  
Tin (Sn), 14 Circuits

3.96mm Pitch SPOX 9501021  
Crimp Housing,  
Female, with Friction  
Ramp, 2 Circuits,  
Natural

3.96mm Pitch SPOX 9501023  
Crimp Housing,  
Female, with Friction  
Ramp and Void, 2  
Circuits, Natural

3.96mm Pitch SPOX 9501031  
Crimp Housing,  
Female, with Friction  
Ramp, 3 Circuits,  
Natural

3.96mm Pitch SPOX 9501033  
Crimp Housing,  
Female, with Friction  
Ramp and Void, 3  
Circuits, Natural

3.96mm Pitch SPOX [9501041](#)  
Crimp Housing,  
Female, with Friction  
Ramp, 4 Circuits,  
Natural

3.96mm Pitch SPOX [9501043](#)  
Crimp Housing,  
Female, with Friction  
Ramp and Void, 4  
Circuits, Natural

3.96mm Pitch SPOX [9501051](#)  
Crimp Housing,  
Female, with Friction  
Ramp, 5 Circuits,  
Natural

3.96mm Pitch SPOX [9501053](#)  
Crimp Housing,  
Female, with Friction  
Ramp and Void, 5  
Circuits, Natural

3.96mm Pitch SPOX [9501061](#)  
Crimp Housing,  
Female, with Friction  
Ramp, 6 Circuits,  
Natural

3.96mm Pitch SPOX [9501063](#)  
Crimp Housing,  
Female, with Friction  
Ramp and Void, 6  
Circuits, Natural

3.96mm Pitch SPOX [9501071](#)  
Crimp Housing,  
Female, with Friction  
Ramp, 7 Circuits,  
Natural

3.96mm Pitch SPOX [9501073](#)  
Crimp Housing,  
Female, with Friction  
Ramp and Void, 7  
Circuits, Natural

3.96mm Pitch SPOX [9501081](#)  
Crimp Housing,  
Female, with Friction  
Ramp, 8 Circuits,  
Natural

3.96mm Pitch SPOX [9501083](#)  
Crimp Housing,  
Female, with Friction  
Ramp and Void, 8  
Circuits, Natural

3.96mm Pitch SPOX [9501091](#)  
Crimp Housing,  
Female, with Friction  
Ramp, 9 Circuits,  
Natural

3.96mm Pitch SPOX [9501101](#)  
Crimp Housing,  
Female, with Friction  
Ramp, 10 Circuits,  
Natural

3.96mm Pitch SPOX [9501103](#)  
Crimp Housing,  
Female, with Friction  
Ramp and Void, 10  
Circuits, Natural

3.96mm Pitch SPOX [9501111](#)  
Crimp Housing,  
Female, with Friction  
Ramp, 11 Circuits,  
Natural

3.96mm Pitch SPOX [9501113](#)  
Crimp Housing,  
Female, with Friction  
Ramp and Void, 11  
Circuits, Natural

3.96mm Pitch SPOX [9501121](#)  
Crimp Housing,  
Female, with Friction  
Ramp, 12 Circuits,  
Natural

KK 3.96mm Crimp [9503021](#)  
Terminal Housing,  
Friction Ramp, 2  
Circuits, Natural

KK 3.96mm Crimp [9503031](#)  
Terminal Housing,  
Friction Ramp, 3  
Circuits, Natural

KK 3.96mm Crimp [9503041](#)  
Terminal Housing,  
Friction Ramp, 4  
Circuits, Natural

KK 3.96mm Crimp [9503051](#)  
Terminal Housing,  
Friction Ramp, 5  
Circuits, Natural

KK 3.96mm Crimp [9503061](#)  
Terminal Housing,  
Friction Ramp, 6  
Circuits, Natural

KK 3.96mm Crimp [9503071](#)  
Terminal Housing,  
Friction Ramp, 7  
Circuits, Natural

KK 3.96mm Crimp [9503081](#)  
Terminal Housing,  
Friction Ramp, 8  
Circuits, Natural

KK 3.96mm Crimp [9503091](#)  
Terminal Housing,  
Friction Ramp, 9  
Circuits, Natural

KK 3.96mm Crimp [9503101](#)  
Terminal Housing,  
Friction Ramp, 10  
Circuits, Natural

KK 3.96mm Crimp [9503111](#)  
Terminal Housing,  
Friction Ramp, 11  
Circuits, Natural

KK 3.96mm Crimp [9503121](#)  
Terminal Housing,  
Friction Ramp, 12  
Circuits, Natural

KK 3.96mm Crimp [9503131](#)  
Terminal Housing,  
Friction Ramp, 13  
Circuits, Natural

KK 3.96mm Crimp [9503141](#)  
Terminal Housing,

Friction Ramp, 14 Circuits, Natural KK 3.96mm Crimp Terminal Housing,	<u>9503151</u>
Friction Ramp, 15 Circuits, Natural KK 3.96mm Crimp Terminal Housing,	<u>9503161</u>
Friction Ramp, 16 Circuits, Natural KK 3.96mm Crimp Terminal Housing,	<u>9503171</u>
Friction Ramp, 17 Circuits, Natural KK 3.96mm Crimp Terminal Housing,	<u>9503181</u>
Friction Ramp, 18 Circuits, Natural KK 3.96mm Crimp Terminal Housing,	<u>9503191</u>
Friction Ramp, 19 Circuits, Natural KK 3.96mm Crimp Terminal Housing,	<u>9503201</u>
Friction Ramp, 20 Circuits, Natural KK 3.96mm Crimp Terminal Housing,	<u>9503211</u>
Friction Ramp, 21 Circuits, Natural KK 3.96mm Crimp Terminal Housing,	<u>9503221</u>
Friction Ramp, 22 Circuits, Natural KK 3.96mm Crimp Terminal Housing,	<u>9503231</u>
Friction Ramp, 23 Circuits, Natural KK 3.96mm Crimp Terminal Housing,	<u>9503241</u>
Friction Ramp, 24 Circuits, Natural KK 3.96mm Crimp Terminal Housing, 2	<u>9507021</u>
Circuits, Natural KK 3.96mm Crimp Terminal Housing, 3	<u>9507031</u>
Circuits, Natural KK 3.96mm Crimp Terminal Housing, 4	<u>9507041</u>
Circuits, Natural KK 3.96mm Crimp Terminal Housing, 5	<u>9507051</u>
Circuits, Natural KK 3.96mm Crimp Terminal Housing, 6	<u>9507061</u>
Circuits, Natural KK 3.96mm Crimp Terminal Housing, 7	<u>9507071</u>
Circuits, Natural KK 3.96mm Crimp Terminal Housing, 8	<u>9507081</u>
Circuits, Natural	

KK 3.96mm Crimp 9507091  
Terminal Housing, 9  
Circuits, Natural  
KK 3.96mm Crimp 9507101  
Terminal Housing, 10  
Circuits, Natural  
KK 3.96mm Crimp 9507111  
Terminal Housing, 11  
Circuits, Natural  
KK 3.96mm Crimp 9507121  
Terminal Housing, 12  
Circuits, Natural  
KK 3.96mm Crimp 9507131  
Terminal Housing, 13  
Circuits, Natural  
KK 3.96mm Crimp 9507141  
Terminal Housing, 14  
Circuits, Natural  
KK 3.96mm Crimp 9507151  
Terminal Housing, 15  
Circuits, Natural  
KK 3.96mm Crimp 9507161  
Terminal Housing, 16  
Circuits, Natural  
KK 3.96mm Crimp 9507171  
Terminal Housing, 17  
Circuits, Natural  
KK 3.96mm Crimp 9507181  
Terminal Housing, 18  
Circuits, Natural  
KK 3.96mm Crimp 9507191  
Terminal Housing, 19  
Circuits, Natural  
KK 3.96mm Crimp 9507201  
Terminal Housing, 20  
Circuits, Natural  
KK 3.96mm Crimp 9507211  
Terminal Housing, 21  
Circuits, Natural  
KK 3.96mm Crimp 9507221  
Terminal Housing, 22  
Circuits, Natural  
KK 3.96mm Crimp 9507231  
Terminal Housing, 23  
Circuits, Natural  
KK 3.96mm Crimp 9507241  
Terminal Housing, 24  
Circuits, Natural  
KK 3.96mm Crimp 9508020  
Terminal Housing, 2  
Circuits, Natural  
KK 3.96mm Crimp 9508021  
Terminal Housing,  
Friction Ramp, 2  
Circuits, Natural  
KK 3.96mm Crimp 9508023  
Terminal Housing,  
Friction Ramp, 2  
Circuits, Natural  
KK 3.96mm Crimp 9508041  
Terminal Housing,  
Friction Ramp, 4  
Circuits, Natural  
KK 3.96mm Crimp 9508043  
Terminal Housing,

Friction Ramp, 4 Circuits, Natural KK 3.96mm Crimp Terminal Housing,	<u>9508093</u>
Friction Ramp, 9 Circuits, Natural KK 3.96mm Crimp Terminal Housing, 10	<u>9508100</u>
Circuits, Natural KK 3.96mm Crimp Terminal Housing, Friction Ramp, 10	<u>9508101</u>
Circuits, Natural KK 3.96mm Crimp Terminal Housing, Friction Ramp, 10	<u>9508103</u>
Circuits, Natural KK 3.96mm Crimp Terminal Housing, Friction Ramp, 14	<u>9508141</u>
Circuits, Natural 3.96mm Pitch KK Crimp Housing, Female, Friction Ramp, 2 Circuits, Natural	<u>9524024</u>
3.96mm Pitch KK Crimp Housing, Female, Friction Ramp, 3 Circuits, Natural	<u>9524034</u>
3.96mm Pitch KK Crimp Housing, Female, Friction Ramp, 4 Circuits, Natural	<u>9524044</u>
3.96mm Pitch KK Crimp Housing, Female, Friction Ramp, 5 Circuits, Natural	<u>9524054</u>
3.96mm Pitch KK Crimp Housing, Female, Friction Ramp, 6 Circuits, Natural	<u>9524064</u>
SPOX and KK 396 Wire-to-Board Header, Vertical, with Friction Lock, 2 Circuits	<u>9652028</u>
SPOX and KK 396 Wire-to-Board Header, Vertical, with Friction Lock, with Void, 2 Circuits	<u>9652029</u>
SPOX and KK 396 Wire-to-Board Header, Vertical, with Friction Lock, 3 Circuits	<u>9652038</u>
SPOX and KK 396 Wire-to-Board Header, Vertical, with	<u>9652039</u>



Friction Lock, with Void, 3 Circuits SPOX and KK	<u>9652048</u>
396 Wire-to-Board Header, Vertical, with Friction Lock, 4 Circuits	
SPOX and KK	<u>9652049</u>
396 Wire-to-Board Header, Vertical, with Friction Lock, with Void, 4 Circuits	
SPOX and KK	<u>9652058</u>
396 Wire-to-Board Header, Vertical, with Friction Lock, 5 Circuits	
SPOX and KK	<u>9652068</u>
396 Wire-to-Board Header, Vertical, with Friction Lock, 6 Circuits	
SPOX and KK	<u>9652069</u>
396 Wire-to-Board Header, Vertical, with Friction Lock, with Void, 6 Circuits	
SPOX and KK	<u>9652078</u>
396 Wire-to-Board Header, Vertical, with Friction Lock, 7 Circuits	
SPOX and KK	<u>9652079</u>
396 Wire-to-Board Header, Vertical, with Friction Lock, with Void, 7 Circuits	
SPOX and KK	<u>9652088</u>
396 Wire-to-Board Header, Vertical, with Friction Lock, 8 Circuits	
SPOX and KK	<u>9652089</u>
396 Wire-to-Board Header, Vertical, with Friction Lock, with Void, 8 Circuits	
KK 3.96mm Crimp Terminal Housing, Friction Ramp, 2 Circuits, Glow-Wire Capable	<u>9930200</u>
KK 3.96mm Crimp Terminal Housing, Friction Ramp, 3 Circuits, Glow-Wire Capable	<u>9930300</u>
KK 3.96mm Crimp Terminal Housing, Friction Ramp, 4 Circuits, Glow-Wire Capable	<u>9930400</u>
KK 3.96mm Crimp Terminal Housing, Friction Ramp, 5	<u>9930500</u>

Circuits, Glow-Wire Capable	
KK 3.96mm Crimp Terminal Housing, Friction Ramp, 6	<u>9930600</u>
Circuits, Glow-Wire Capable	
KK 3.96mm Crimp Terminal Housing, Friction Ramp, 7	<u>9930700</u>
Circuits, Glow-Wire Capable	
KK 3.96mm Crimp Terminal Housing, Friction Ramp, 8	<u>9930800</u>
Circuits, Glow-Wire Capable	
KK 3.96mm Crimp Terminal Housing, Friction Ramp, 9	<u>9930900</u>
Circuits, Glow-Wire Capable	
KK 3.96mm Crimp Terminal Housing, Friction Ramp, 10	<u>9931000</u>
Circuits, Glow-Wire Capable	
KK 3.96mm Crimp Terminal Housing, Friction Ramp, 11	<u>9931100</u>
Circuits, Glow-Wire Capable	
KK 3.96mm Crimp Terminal Housing, Friction Ramp, 12	<u>9931200</u>
Circuits, Glow-Wire Capable	
KK 3.96mm Crimp Terminal Housing, Friction Ramp, 13	<u>9931300</u>
Circuits, Glow-Wire Capable	
KK 3.96mm Crimp Terminal Housing, Friction Ramp, 14	<u>9931400</u>
Circuits, Glow-Wire Capable	
KK 3.96mm Crimp Terminal Housing, Friction Ramp, 15	<u>9931500</u>
Circuits, Glow-Wire Capable	
15 PIN MICRO-D FEMAL ASSY M8351309B11	<u>10008503</u>
15/C METALSHELL RECEPT.WIRED	<u>10008637</u>
15/C METAL SHELL PLUG WIRED	<u>10008638</u>
25/C RECEPT. HARNESS ASSY	<u>10008645</u>
37/C RECEPT. HARNESS ASSY	<u>10008647</u>

STAT. 3CKT	<u>10008653</u>
RECEP. PIN 1/4 IN 1 FT	
R/A 3CKT PLUG	<u>10008654</u>
SOC. INSERT PUR 12 FEET	
15/C M SHELL	<u>10008655</u>
RECEPT. WIRED 72.0	
5.08mm Pitch KK Crimp Terminal Housing, 2 Circuits, Natural	<u>10011024</u>
5.08mm Pitch KK Crimp Terminal Housing, 3 Circuits, Natural	<u>10011034</u>
5.08mm Pitch KK Crimp Terminal Housing, 4 Circuits, Natural	<u>10011044</u>
5.08mm Pitch KK Crimp Terminal Housing, 5 Circuits, Natural	<u>10011054</u>
5.08mm Pitch KK Crimp Terminal Housing, 6 Circuits, Natural	<u>10011064</u>
5.08mm Pitch KK Crimp Terminal Housing, 7 Circuits, Natural	<u>10011074</u>
5.08mm Pitch KK Crimp Terminal Housing, 8 Circuits, Natural	<u>10011084</u>
5.08mm Pitch KK Crimp Terminal Housing, 9 Circuits, Natural	<u>10011094</u>
5.08mm Pitch KK Crimp Terminal Housing, 10 Circuits, Natural	<u>10011104</u>
5.08mm Pitch KK Crimp Terminal Housing, 11 Circuits, Natural	<u>10011114</u>
5.08mm Pitch KK Crimp Terminal Housing, 12 Circuits, Natural	<u>10011124</u>
5.08mm Pitch SPOX Crimp Terminal Housing, 2 Circuits, Natural	<u>10013026</u>
5.08mm Pitch SPOX Crimp Terminal Housing, 3 Circuits, Natural	<u>10013036</u>
5.08mm Pitch SPOX Crimp Terminal Housing, 4 Circuits, Natural	<u>10013046</u>

5.08mm Pitch SPOX [10013056](#)  
Crimp Terminal  
Housing, 5 Circuits,  
Natural

5.08mm Pitch SPOX [10013066](#)  
Crimp Terminal  
Housing, 6 Circuits,  
Natural

5.08mm Pitch SPOX [10013076](#)  
Crimp Terminal  
Housing, 7 Circuits,  
Natural

5.08mm Pitch SPOX [10013086](#)  
Crimp Terminal  
Housing, 8 Circuits,  
Natural

5.08mm Pitch SPOX [10013096](#)  
Crimp Terminal  
Housing, 9 Circuits,  
Natural

KK PC Board [10021022](#)  
Connector, Bottom  
Entry Mount Style B,  
1.00µm Tin (Sn), 2  
Circuits

KK PC Board [10021032](#)  
Connector, Bottom  
Entry Mount Style B,  
1.00µm Tin (Sn), 3  
Circuits

KK PC Board [10021042](#)  
Connector, Bottom  
Entry Mount Style B,  
1.00µm Tin (Sn), 4  
Circuits

KK PC Board [10021052](#)  
Connector, Bottom  
Entry Mount Style B,  
1.00µm Tin (Sn), 5  
Circuits

KK PC Board [10021062](#)  
Connector, Bottom  
Entry Mount Style B,  
1.00µm Tin (Sn), 6  
Circuits

KK PC Board [10021072](#)  
Connector, Bottom  
Entry Mount Style B,  
1.00µm Tin (Sn), 7  
Circuits

KK PC Board [10021082](#)  
Connector, Bottom  
Entry Mount Style B,  
1.00µm Tin (Sn), 8  
Circuits

KK PC Board [10021092](#)  
Connector, Bottom  
Entry Mount Style B,  
1.00µm Tin (Sn), 9  
Circuits

KK PC Board [10021102](#)  
Connector, Bottom  
Entry Mount Style B,  
1.00µm Tin (Sn), 10  
Circuits

KK PC Board 10021112  
Connector, Bottom  
Entry Mount Style B,  
1.00µm Tin (Sn), 11  
Circuits

KK PC Board 10021122  
Connector, Bottom  
Entry Mount Style B,  
1.00µm Tin (Sn), 12  
Circuits

5.08mm Pitch KK 10061045  
Header, Right  
Angle, Square Pin,  
4 Circuits, Tin (Sn)  
Plating

KK Header, Right 10061055  
Angle, Square Pin,  
5 Circuits, Tin (Sn)  
Plating

KK Header, Vertical, 10081021  
Round Pin, 2  
Circuits, Tin (Sn)  
Plating, Pin Length  
19.05mm

KK Header, Vertical, 10081022  
Round Pin, 2  
Circuits, Tin (Sn)  
Plating, Pin Length  
23.80mm

KK Header, Vertical, 10081029  
Round Pin, 2  
Circuits, Tin (Sn)  
Plating, Pin Length  
20.32mm

KK Header, Vertical, 10081031  
Round Pin, 3  
Circuits, Tin (Sn)  
Plating, Pin Length  
19.05mm

KK Header, Vertical, 10081039  
Round Pin, 3  
Circuits, Tin (Sn)  
Plating, Pin Length  
20.32mm

KK Header, Vertical, 10081041  
Round Pin, 4  
Circuits, Tin (Sn)  
Plating, Pin Length  
19.05mm

KK Header, Vertical, 10081049  
Round Pin, 4  
Circuits, Tin (Sn)  
Plating, Pin Length  
20.32mm

KK Header, Vertical, 10081051  
Round Pin, 5  
Circuits, Tin (Sn)  
Plating, Pin Length  
19.05mm

KK Header, Vertical, 10081061  
Round Pin, 6  
Circuits, Tin (Sn)  
Plating, Pin Length  
19.05mm

KK Header, Vertical, [10081069](#)  
Round Pin, 6  
Circuits, Tin (Sn)  
Plating, Pin Length  
20.32mm

KK Header, Vertical, [10081071](#)  
Round Pin, 7  
Circuits, Tin (Sn)  
Plating, Pin Length  
19.05mm

KK Header, Vertical, [10081081](#)  
Round Pin, 8  
Circuits, Tin (Sn)  
Plating, Pin Length  
19.05mm

KK Header, Vertical, [10081082](#)  
Round Pin, 8  
Circuits, Tin (Sn)  
Plating, Pin Length  
23.80mm

KK Header, Vertical, [10081089](#)  
Round Pin, 8  
Circuits, Tin (Sn)  
Plating, Pin Length  
20.32mm

KK Header, Vertical, [10081091](#)  
Round Pin, 9  
Circuits, Tin (Sn)  
Plating, Pin Length  
19.05mm

KK Header, Vertical, [10081101](#)  
Round Pin, 10  
Circuits, Tin (Sn)  
Plating, Pin Length  
19.05mm

KK Header, Vertical, [10081102](#)  
Round Pin, 10  
Circuits, Tin (Sn)  
Plating, Pin Length  
23.80mm

KK Header, Vertical, [10081111](#)  
Round Pin, 11  
Circuits, Tin (Sn)  
Plating, Pin Length  
19.05mm

KK Header, Vertical, [10081112](#)  
Round Pin, 11  
Circuits, Tin (Sn)  
Plating, Pin Length  
23.80mm

KK Header, Vertical, [10081121](#)  
Round Pin, 12  
Circuits, Tin (Sn)  
Plating, Pin Length  
19.05mm

KK Header, Vertical, [10085021](#)  
with Polarizing  
Backwall, 2 Circuits,  
Tin (Sn) Plating

KK Header, Vertical, [10085031](#)  
with Polarizing  
Backwall, 3 Circuits,  
Tin (Sn) Plating

KK Header, Vertical, [10085041](#)  
with Polarizing

Backwall, 4 Circuits,  
Tin (Sn) Plating  
KK Header, Vertical, 10085051  
with Polarizing  
Backwall, 5 Circuits,  
Tin (Sn) Plating  
KK Header, Vertical, 10085061  
with Polarizing  
Backwall, 6 Circuits,  
Tin (Sn) Plating  
KK Header, Vertical, 10085071  
with Polarizing  
Backwall, 7 Circuits,  
Tin (Sn) Plating  
KK Header, Vertical, 10085081  
with Polarizing  
Backwall, 8 Circuits,  
Tin (Sn) Plating  
KK Header, Vertical, 10085091  
with Polarizing  
Backwall, 9 Circuits,  
Tin (Sn) Plating  
KK Header, Vertical, 10085101  
with Polarizing  
Backwall, 10 Circuits,  
Tin (Sn) Plating  
KK Header, Vertical, 10085111  
with Polarizing  
Backwall, 11 Circuits,  
Tin (Sn) Plating  
KK Header, Vertical, 10085121  
with Polarizing  
Backwall, 12 Circuits,  
Tin (Sn) Plating  
KK PC Board 10101021  
Connector, Right-  
Angle Mount Style A,  
1.00µm Tin (Sn), 2  
Circuits  
KK PC Board 10101023  
Connector, Top  
Entry Mount Style C,  
1.00µm Tin (Sn), 2  
Circuits  
KK PC Board 10101031  
Connector, Right-  
Angle Mount Style A,  
1.00µm Tin (Sn), 3  
Circuits  
KK PC Board 10101033  
Connector, Top  
Entry Mount Style C,  
1.00µm Tin (Sn), 3  
Circuits  
KK PC Board 10101041  
Connector, Right-  
Angle Mount Style A,  
1.00µm Tin (Sn), 4  
Circuits  
KK PC Board 10101043  
Connector, Top  
Entry Mount Style C,  
1.00µm Tin (Sn), 4  
Circuits

KK PC Board Connector, Right- Angle Mount Style A, 1.00µm Tin (Sn), 5 Circuits	<u>10101051</u>
KK PC Board Connector, Top Entry Mount Style C, 1.00µm Tin (Sn), 5 Circuits	<u>10101053</u>
KK PC Board Connector, Right- Angle Mount Style A, 1.00µm Tin (Sn), 6 Circuits	<u>10101061</u>
KK PC Board Connector, Top Entry Mount Style C, 1.00µm Tin (Sn), 6 Circuits	<u>10101063</u>
KK PC Board Connector, Right- Angle Mount Style A, 1.00µm Tin (Sn), 7 Circuits	<u>10101071</u>
KK PC Board Connector, Top Entry Mount Style C, 1.00µm Tin (Sn), 7 Circuits	<u>10101073</u>
KK PC Board Connector, Right- Angle Mount Style A, 1.00µm Tin (Sn), 8 Circuits	<u>10101081</u>
KK PC Board Connector, Top Entry Mount Style C, 1.00µm Tin (Sn), 8 Circuits	<u>10101083</u>
KK PC Board Connector, Right- Angle Mount Style A, 1.00µm Tin (Sn), 9 Circuits	<u>10101091</u>
KK PC Board Connector, Top Entry Mount Style C, 1.00µm Tin (Sn), 9 Circuits	<u>10101093</u>
KK PC Board Connector, Right- Angle Mount Style A, 1.00µm Tin (Sn), 10 Circuits	<u>10101101</u>
KK PC Board Connector, Top Entry Mount Style C, 1.00µm Tin (Sn), 10 Circuits	<u>10101103</u>
KK PC Board Connector, Right- Angle Mount Style A, 1.00µm Tin (Sn), 11 Circuits	<u>10101111</u>



KK PC Board Connector, Top Entry Mount Style C, 1.00µm Tin (Sn), 11 Circuits	<u>10101113</u>
KK PC Board Connector, Right- Angle Mount Style A, 1.00µm Tin (Sn), 12 Circuits	<u>10101121</u>
KK PC Board Connector, Top Entry Mount Style C, 1.00µm Tin (Sn), 12 Circuits	<u>10101123</u>
KK 254 Crimp Housing, High Pressure, 2 Circuits, Natural	<u>10112023</u>
KK 254 Crimp Housing, High Pressure, 3 Circuits, Natural	<u>10112033</u>
KK 254 Crimp Housing, High Pressure, 4 Circuits, Natural	<u>10112043</u>
KK 254 Crimp Housing, High Pressure, 5 Circuits, Natural	<u>10112053</u>
KK 254 Crimp Housing, High Pressure, 6 Circuits, Natural	<u>10112063</u>
KK 254 Crimp Housing, High Pressure, 7 Circuits, Natural	<u>10112073</u>
KK 254 Crimp Housing, High Pressure, 8 Circuits, Natural	<u>10112083</u>
KK 254 Crimp Housing, High Pressure, 9 Circuits, Natural	<u>10112093</u>
KK 254 Crimp Housing, High Pressure, 10 Circuits, Natural	<u>10112103</u>
KK 254 Crimp Housing, High Pressure, 11 Circuit	<u>10112113</u>
KK 254 Crimp Housing, High Pressure, 12 Circuits, Natural	<u>10112123</u>
KK 254 Crimp Housing, High Pressure, 13 Circuits, Natural	<u>10112133</u>
KK 254 Crimp Housing, High	<u>10112143</u>

Pressure, 14 Circuits, Natural KK 254 Crimp Housing, High Pressure, 15 Circuits, Natural KK 254 Crimp Housing, High Pressure, 16 Circuits, Natural KK 254 Crimp Housing, High Pressure, 17 Circuits, Natural KK 254 Crimp Housing, High Pressure, 18 Circuits, Natural 2.36mm Diameter Standard .093" Pin and Socket Header, Shrouded, 3 Circuits, 2 Male Terminals	<u>10112153</u>
2.36mm Diameter Standard .093" Pin and Socket Header, Shrouded, 3 Circuits, 2 Male Terminals	<u>10112163</u>
2.36mm Diameter Standard .093" Pin and Socket Header, Shrouded, 3 Circuits, 2 Male Terminals	<u>10112173</u>
2.36mm Diameter Standard .093" Pin and Socket Header, Shrouded, 3 Circuits, 2 Male Terminals	<u>10112183</u>
2.36mm Diameter Standard .093" Pin and Socket Header, Shrouded, 3 Circuits, 3 Male Terminals	<u>10181031</u>
2.36mm Diameter Standard .093" Pin and Socket Header, Shrouded, 3 Circuits, 3 Male Terminals	<u>10181032</u>
2.36mm Diameter Standard .093" Pin and Socket Header, Shrouded, 3 Circuits, 1 Female Terminal, 2 Male Terminals	<u>10181033</u>
2.36mm Diameter Standard .093" Pin and Socket Header, Shrouded, 3 Circuits, 1 Female Terminal, 2 Male Terminals	<u>10181034</u>
2.36mm Diameter Standard .093" Pin and Socket Header, Shrouded, 3 Circuits, 2 Male Terminals, 1 Female Terminal	<u>10181035</u>
2.36mm Diameter Standard .093" Pin and Socket Header, Shrouded, 3 Circuits, 1 Female Terminal, 1 Male Terminal	<u>10181036</u>
2.36mm Diameter Standard .093" Pin and Socket Header, Shrouded, 3 Circuits, 2 Female Terminals, 1 Male Terminal	<u>10181037</u>
2.36mm Diameter Standard .093" Pin and Socket Header, Shrouded, 3 Circuits, 3 Female Terminals	<u>10181038</u>
2.36mm Diameter Standard .093" Pin	<u>10181040</u>

and Socket Header,  
Shrouded, 4 Circuits,  
1 Female Terminal, 1  
Male Terminal  
2.36mm Diameter 10181041  
Standard .093" Pin  
and Socket Header,  
Shrouded, 4 Circuits,  
4 Male Terminals  
2.36mm Diameter 10181042  
Standard .093" Pin  
and Socket Header,  
Shrouded, 4 Circuits,  
4 Female Terminals  
2.36mm Diameter 10181043  
Standard .093" Pin  
and Socket Header,  
Shrouded, 4 Circuits,  
1 Female Terminal, 3  
Male Terminals  
2.36mm Diameter 10181044  
Standard .093" Pin  
and Socket Header,  
Shrouded, 4 Circuits,  
3 Female Terminals,  
1 Male Terminals  
2.36mm Diameter 10181045  
Standard .093" Pin  
and Socket Header,  
Shrouded, 4 Circuits,  
2 Male Terminals, 2  
Female Terminals  
2.36mm Diameter 10181046  
Standard .093" Pin  
and Socket Header,  
Shrouded, 4 Circuits,  
3 Male Terminals, 1  
Female Terminal  
2.36mm Diameter 10181047  
Standard .093" Pin  
and Socket Header,  
Shrouded, 4 Circuits,  
1 Female Terminal, 3  
Male Terminals  
2.36mm Diameter 10181048  
Standard .093" Pin  
and Socket Header,  
Shrouded, 4 Circuits,  
1 Female Terminal,  
2 Male Terminals, 1  
Female Terminal, 1  
Male Terminal  
2.36mm Diameter 10181049  
Standard .093" Pin  
and Socket Header,  
Shrouded, 4 Circuits,  
2 Female Terminals,  
1 Male Terminal, 1  
Female Terminal,  
1 Male Terminal, 1  
Female Terminal  
2.36mm Diameter 10181050  
Standard .093" Pin  
and Socket Header,  
Shrouded, 4 Circuits,

2 Female Terminals,  
2 Male Terminals  
2.36mm Diameter 10181090  
Standard .093" Pin  
and Socket Header,  
Shrouded, 9 Circuits,  
9 Male Terminals  
2.36mm Diameter 10181091  
Standard .093" Pin  
and Socket Header,  
3 Rows, Shrouded,  
Unfilled Polyester,  
UL 94V-0, 9 Circuits,  
9 Female Terminals  
2.36mm Diameter 10181120  
Standard .093"  
Pin and Socket  
Header, Shrouded,  
12 Circuits, 12 Male  
Terminals  
2.36mm Diameter 10181122  
Standard .093"  
Pin and Socket  
Header, 3 Rows,  
Shrouded, Unfilled  
Polyester, UL 94V-0,  
12 Circuits, 12  
Female Terminals  
2.36mm Diameter 10181150  
Standard .093"  
Pin and Socket  
Header, Shrouded,  
15 Circuits, 15 Male  
Terminals  
5.08mm Pitch SPOX 10221022  
Crimp Housing,  
Female, with Friction  
Ramp and Void, 2  
Circuits  
2.50mm Pitch KK 10302031  
Crimp Terminal  
Housing, 3 Circuits  
5.00/7.50mm Pitch 10311028  
SPOX Header,  
Vertical, with Friction  
Lock, 2 Circuits  
5.00/7.50mm Pitch 10311038  
SPOX Header,  
Vertical, with Friction  
Lock, 3 Circuits  
5.00/7.50mm Pitch 10311048  
SPOX Header,  
Vertical, with Friction  
Lock, 4 Circuits  
5.00/7.50mm Pitch 10311058  
SPOX Header,  
Vertical, with Friction  
Lock, 5 Circuits  
5.00/7.50mm Pitch 10311068  
SPOX Header,  
Vertical, with Friction  
Lock, 6 Circuits

This document was generated on 09/17/2019

**PLEASE CHECK [WWW.MOLEX.COM](http://WWW.MOLEX.COM) FOR LATEST PART INFORMATION**