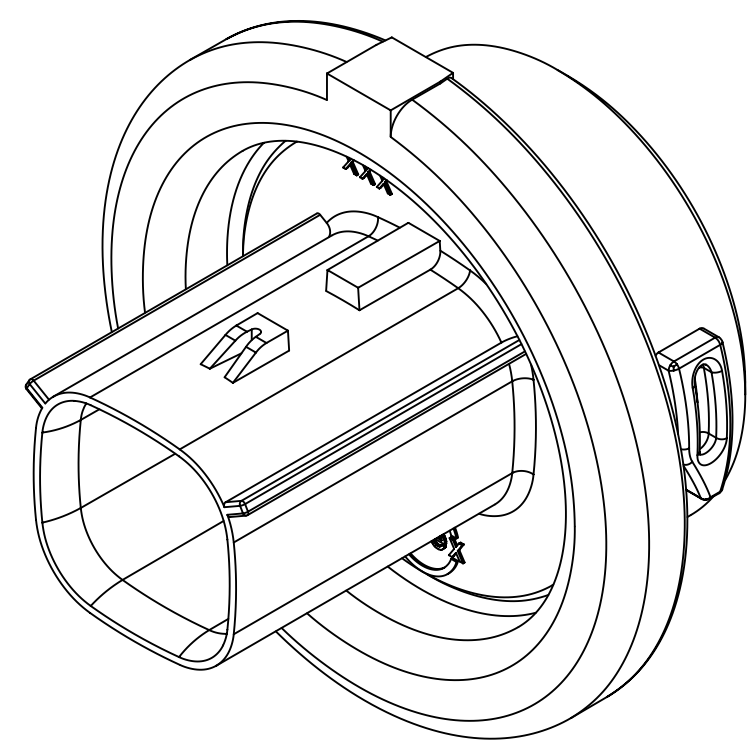
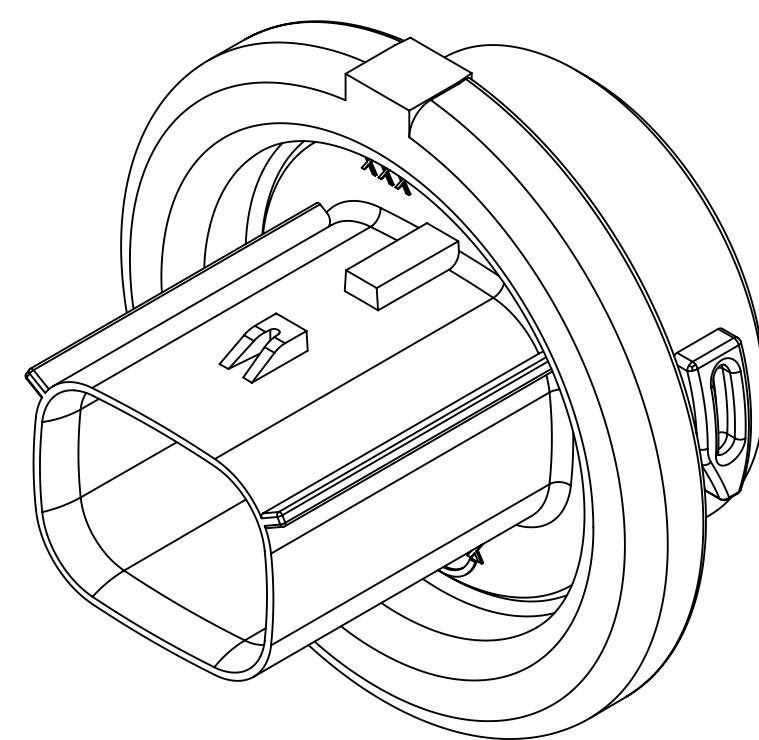


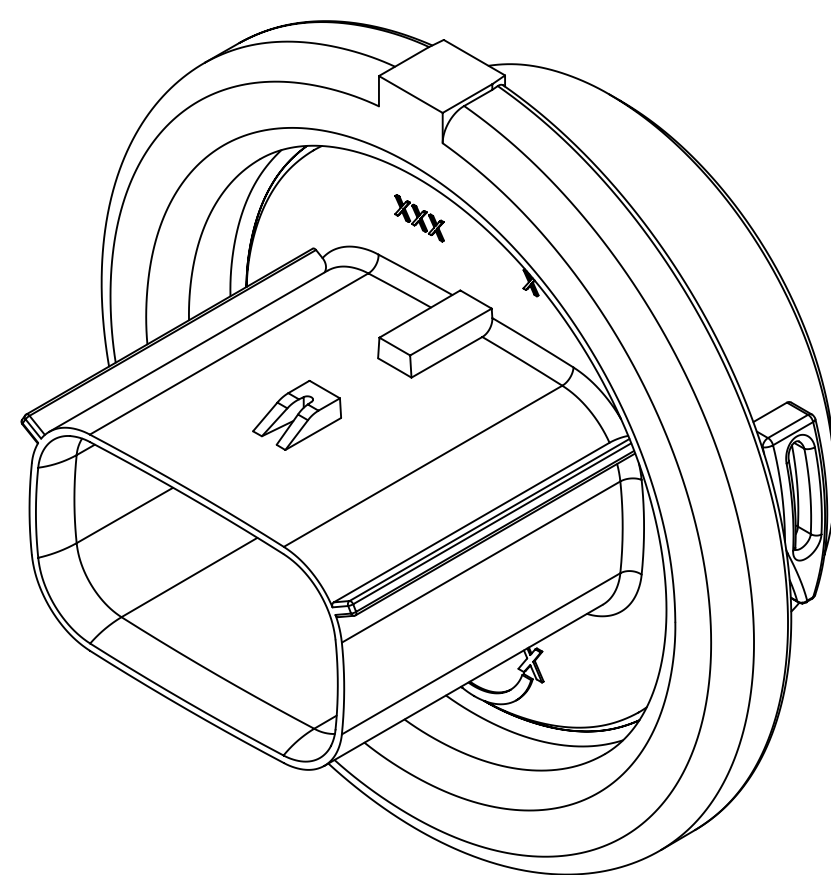
TABLE OF CONTENTS	
SHEET NO.	SHEET DESCRIPTION
1	NOTES
2	BOM SHEET 1
3	BOM SHEET 2
4	6/8 CKT KEY OPTION CONFIGURATIONS
5	12/16 CKT KEY OPTION CONFIGURATIONS
6	BULKHEAD CONNECTOR
7	6/8 CKT BULKHEAD CONNECTOR INTERFACE
8	6/8 CKT BULKHEAD CONNECTOR INTERFACE
9	12/16 CKT BULKHEAD CONNECTOR INTERFACE
10	12/16 CKT BULKHEAD CONNECTOR INTERFACE



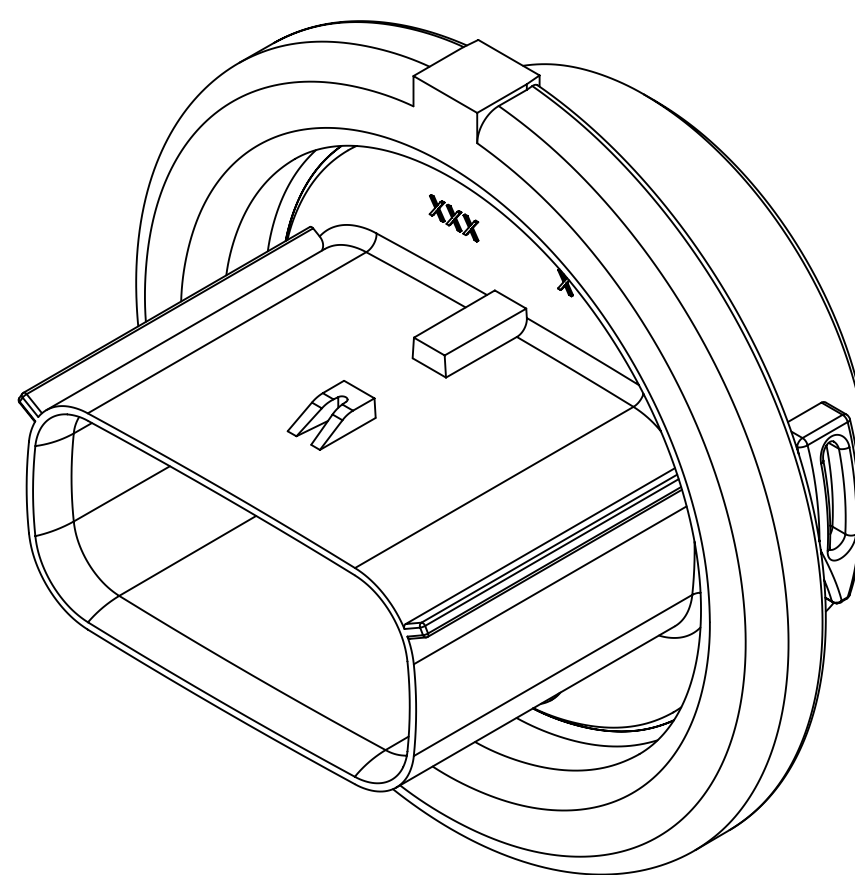
6 CIRCUIT



8 CIRCUIT



12 CIRCUIT



16 CIRCUIT

NOTES: VALID UNLESS OTHERWISE SPECIFIED

1. GENERAL:

- a. APPLICATION SPECIFICATION SEE: AS-34840-001
  - CONTAINS: PRODUCT INTRODUCTION, PRODUCT SUMMARY, CONNECTOR ASSEMBLY, PACKAGING INFORMATION, CONNECTOR MATING, SERVICE INSTRUCTIONS, ELECTRICAL CONTINUITY CHECKING, CRIMPING, AND TROUBLESHOOTING.
  - DESIGNED TO MATE WITH RECEPTACLE HOUSING ASSEMBLY AS SPECIFIED IN DRAWING XXXX
  - FOR 1.5mm BLADE TERMINALS TO BE USED WITH THIS ASSEMBLY. SEE MOLEX DRAWING SD-33000-001.
  - SYSTEM TO BE USED WITH WIRE WITHIN DIAMETER RANGE OF TBD TO TBD.
  - ASSEMBLY SHIPPED WITH PLR IN PRE-LOCK POSITION (SEE SECTION A-A PRE-LOCK).
  - IN THE EVENT THAT THE PLR IS FOUND IN THE SEATED (FINAL LOCK) POSITION, REFER TO MOLEX SPECIFICATION PS-34646-001, AVAILABLE AT [www.molex.com](http://www.molex.com) <<http://www.molex.com>>.
- b. PRODUCT SPECIFICATION SEE: PS-34840-001
  - CONTAINS: PRODUCT INTRODUCTION, PRODUCT SUMMARY, RATINGS (CURRENT, TEMPERATURE, SEALING, AND FLAMMABILITY), AND PRODUCT VALIDATION.
- c. PACKAGING SPECIFICATION PER MOLEX DRAWING: PK-31301-615
- d. PARTS MUST BE IN COMPLIANCE TO MOLEX CHEMICAL SUBSTANCES FOR PRODUCTS AND PACKAGING SPECIFICATION: ES-40000-5016
- e. DATA MUST BE SUBMITTED UNDER THE MOLEX PART NUMBER TO IMDS (COMPANY ID#13255)

2. DESIGN - MATERIALS:

- a. SEE BOM TABLE

3. DESIGN - GEOMETRY:

- a. THIS IS A 100% CAD GENERATED PART. THE CAD MATHEMATICAL DATA IS THE MASTER FOR THIS PART. FOR DIMENSIONAL OR ANY INFORMATION NOT SHOWN ON THIS DRAWING, ANALYZE THE CAD MODEL.
- b. GEOMETRIC DIMENSIONS AND TOLERANCES PER ASME Y14.5M - 2009
- c. EDGES AND UNDIMENSIONED DETAILS PER ISO13715
- d. CORNERS SHOWN AS SHARP TO BE R 0.2 MAX.
- e. LETTERING SHALL BE 0.15 MAX RAISED IN 0.25 MAX RECESS PAD. THIS INCLUDES RECYCLING CODE, CAVITY ID, VENDOR IDENTIFICATION, AND CUSTOMER MATERIAL NUMBER.
- f. VISUAL DEFECTS SHALL MEET COSMETIC STANDARD PS-45499-002 (CLASS B) CAD MODEL.

(B6) g. LASER MARKING:

- PART NUMBER
- DATE CODE: DDDYY
- MANUFACTURING EQUIPMENT NUMBER

B6	-UPDATED LASER MARK INFORMATION IN NOTE 3g ON SHEET 1; -ADDED LASER MARK FORMAT INTO VIEW ON SHEET 6;
B5	UPDATED THE PRODUCTION TOOL STATUS IN BOM CHART ON SHEET 2 AND SHEET 3
B4	ADDED PART NUMBER OF UPDATED PLR
B3	UPDATED PART STATUS
B2	ADDED BASIC DIMENSION ON 6/8 CKT ICD
B1	UPDATED 12/16 CKT PART STATUS
B	ADDED NOTE 4
A	OK TO TOOL 6 & 8 CKT
4	ADDED 6/8 CKT PER CP11E UPDATES
3	UPDATED FORMAT
2	DESIGN RELEASE
1	QUOTE ONLY
REV	DESCRIPTION

INSPECTION BALLOON NUMBER LOG	
PER DRAWING REVISION:	B6
LAST BALLOON NUMBER USED:	30
ADDED BALLOON NUMBERS:	
REMOVED BALLOON NUMBERS:	NONE

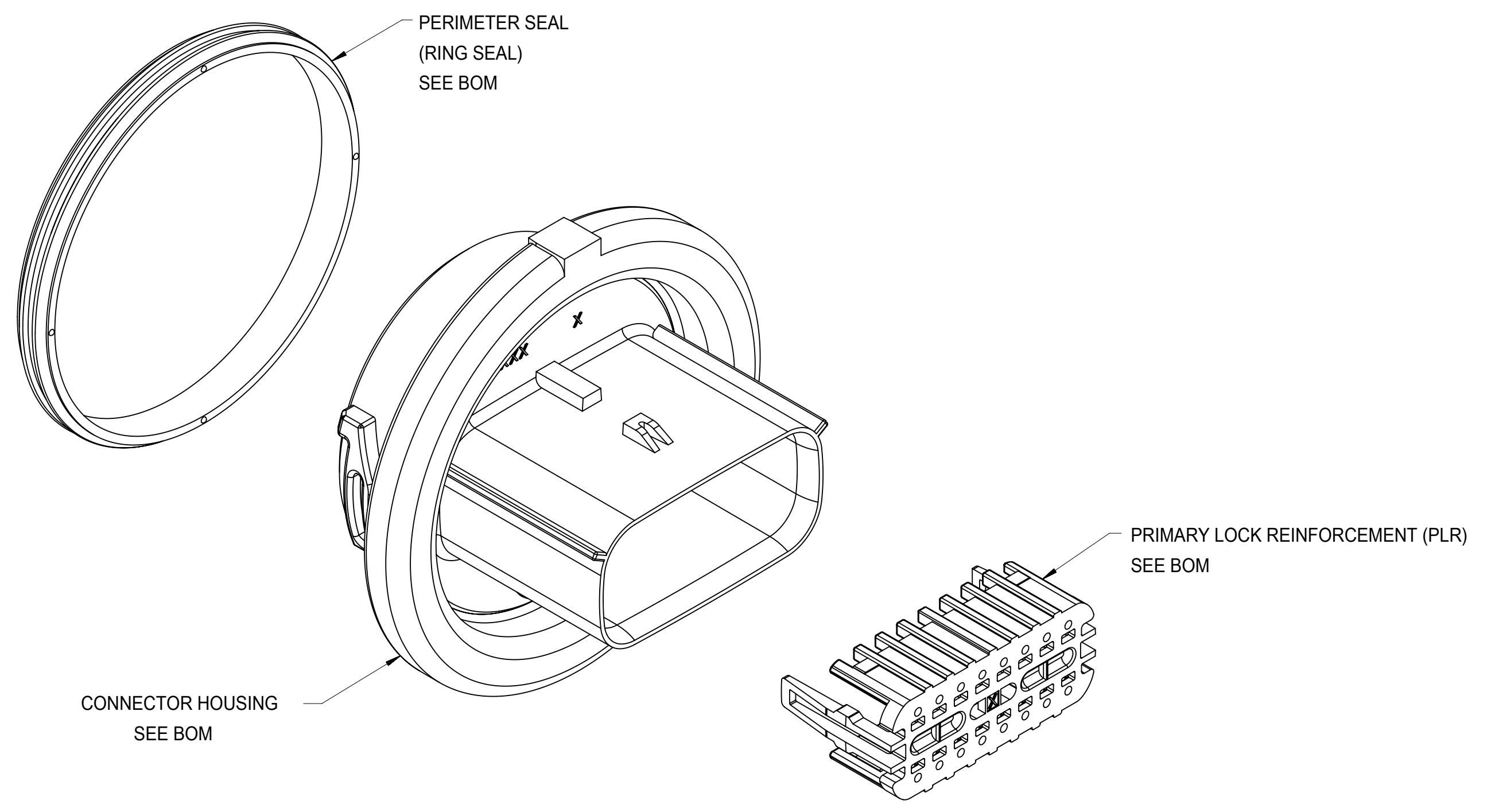
SYMBOLS		THIS DRAWING CONTAINS INFORMATION THAT IS PROPRIETARY TO MOLEX ELECTRONIC TECHNOLOGIES, LLC AND SHOULD NOT BE USED WITHOUT WRITTEN PERMISSION	
DIMENSION UNITS	SCALE	CURRENT REV DESC: ????????????????	
= 0	mm	2:1	
= 0	GENERAL TOLERANCES (UNLESS SPECIFIED)		
= 0	ANGULAR TOL	± 3.0°	
= 0	4 PLACES	±	
= 0	3 PLACES	±	
= 0	2 PLACES	± 0.1	
= 0	1 PLACE	± 0.2	
= 0	0 PLACES	±	
= 0	DRAFT WHERE APPLICABLE MUST REMAIN WITHIN DIMENSIONS		
= 0	THIRD ANGLE PROJECTION		

EC NO: 176779	2018/05/08
DRWN: WKHE	2018/05/18
CHK'D: MVANSLAMBROU	2018/05/18
APPR: MVANSLAMBROU	2018/05/18
INITIAL REVISION:	
DRWN: MVANSLAMBROU	2010/10/01
APPR: VKOSHY	2010/10/05

molex			
MX150 DUAL ROW BULKHEAD TWIST-LOCK CONNECTOR ASSEMBLY			
PRODUCT CUSTOMER DRAWING			
DOCUMENT NUMBER	DOC TYPE	DOC PART	REVISION
SD-34840-001	PSD	001	B6

MATERIAL NUMBER	CUSTOMER	SHEET NUMBER
SEE TABLE	GENERAL MARKET	1 OF 10

8 CKT KEY D, STONE GRAY	34840-4440											D	P	R	SALEABLE
8 CKT KEY C, DARK GRAY	34840-4430										C		P	R	SALEABLE
8 CKT KEY B, LIGHT GRAY	34840-4420										B		P	R	SALEABLE
8 CKT KEY A, BLACK	34840-4410										A		P	R	SALEABLE
8 CKT KEY D, STONE GRAY	34840-4040											D	P	R	PLANNED OBSOLESECE
8 CKT KEY C, DARK GRAY	34840-4030											C	P	R	PLANNED OBSOLESECE
8 CKT KEY B, LIGHT GRAY	34840-4020											B	P	R	PLANNED OBSOLESECE
8 CKT KEY A, BLACK	34840-4010											A	P	R	PLANNED OBSOLESECE
6 CKT KEY D, STONE GRAY	34840-3440						D	P							SALEABLE
6 CKT KEY C, DARK GRAY	34840-3430							C	P						SALEABLE
6 CKT KEY B, LIGHT GRAY	34840-3420								B	P					SALEABLE
6 CKT KEY A, BLACK	34840-3410									A	P				SALEABLE
6 CKT KEY D, STONE GRAY	34840-3040							D	P						PLANNED OBSOLESECE
6 CKT KEY C, DARK GRAY	34840-3030								C	P					PLANNED OBSOLESECE
6 CKT KEY B, LIGHT GRAY	34840-3020									B	P				PLANNED OBSOLESECE
6 CKT KEY A, BLACK	34840-3010										A	P			PLANNED OBSOLESECE
ASSEMBLY DESCRIPTION	ASSEMBLY PART NUMBER														PRODUCTION TOOL STATUS



6/8 CKT RING SEAL	LIGHT BLUE	INHERENTLY LUBRICATED SILICONE
UPDATED 8 CKT PLR	NATURAL	SPS/NYLON GF20
8 CKT PLR	NATURAL	SPS/NYLON GF20
8 CKT HOUSING KEYING OPTION D	STONE GRAY	SPS/NYLON GF20
8 CKT HOUSING KEYING OPTION C	DARK GRAY	SPS/NYLON GF20
8 CKT HOUSING KEYING OPTION B	LIGHT GRAY	SPS/NYLON GF20
8 CKT HOUSING KEYING OPTION A	BLACK	SPS/NYLON GF20
UPDATED 6 CKT PLR	NATURAL	SPS/NYLON GF20
6 CKT PLR	NATURAL	SPS/NYLON GF20
6 CKT HOUSING KEYING OPTION D	STONE GRAY	SPS/NYLON GF20
6 CKT HOUSING KEYING OPTION C	DARK GRAY	SPS/NYLON GF20
6 CKT HOUSING KEYING OPTION B	LIGHT GRAY	SPS/NYLON GF20
6 CKT HOUSING KEYING OPTION A	BLACK	SPS/NYLON GF20
DESCRIPTION	COLOR	MATERIAL

BOM/APPLICABLE COMPONENTS TABLE

ABREVIATION	COMPONENT
A	HOUSING KEY A
B	HOUSING KEY B
C	HOUSING KEY C
D	HOUSING KEY D
P	PLR (STANDARD)/UPDATED PLR
R	RING SEAL

SYMBOLS		THIS DRAWING CONTAINS INFORMATION THAT IS PROPRIETARY TO MOLEX ELECTRONIC TECHNOLOGIES, LLC AND SHOULD NOT BE USED WITHOUT WRITTEN PERMISSION	
	= 0	DIMENSION UNITS	SCALE
	= 0	mm	2:1
	= 0	GENERAL TOLERANCES (UNLESS SPECIFIED)	
	= 0	ANGULAR TOL	± 3.0°
	= 0	4 PLACES	±
	= 0	3 PLACES	±
	= 0	2 PLACES	± 0.1
	= 0	1 PLACE	± 0.2
	= 0	0 PLACES	±
	= 0	DRAFT WHERE APPLICABLE MUST REMAIN WITHIN DIMENSIONS	
	= 0	THIRD ANGLE PROJECTION	DRAWING
			D-SIZE
		SERIES	34840
CURRENT REV DESC: ??????????????		EC NO: 176779	2018/05/08
		DRWN: WKHE	2018/05/18
		CHK'D: MVANSLAMBROU	2018/05/18
		APPR: MVANSLAMBROU	2018/05/18
		INITIAL REVISION:	
		DRWN: MVANSLAMBROU	2010/10/01
		APPR: VKOSHY	2010/10/05
		DOCUMENT NUMBER	SD-34840-001
		DOC TYPE	PSD
		DOC PART	001
		REVISION	B6
		MATERIAL NUMBER	SEE TABLE
		CUSTOMER	GENERAL MARKET
		SHEET NUMBER	2 OF 10

16 CKT KEY D, STONE GRAY	34840-8440																		D		P	R	SALEABLE
16 CKT KEY C, DARK GRAY	34840-8430																		C		P	R	SALEABLE
16 CKT KEY B, LIGHT GRAY	34840-8420																		B		P	R	SALEABLE
16 CKT KEY A, BLACK	34840-8410																		A		P	R	SALEABLE
16 CKT KEY D, STONE GRAY	34840-8040																			D	P	R	PLANNED OBSOLESENCE
16 CKT KEY C, DARK GRAY	34840-8030																			C	P	R	PLANNED OBSOLESENCE
16 CKT KEY B, LIGHT GRAY	34840-8020																			B	P	R	PLANNED OBSOLESENCE
16 CKT KEY A, BLACK	34840-8010																			A	P	R	PLANNED OBSOLESENCE
12 CKT KEY D, STONE GRAY	34840-6440																			D	P	R	SALEABLE
12 CKT KEY C, DARK GRAY	34840-6430																			C	P	R	SALEABLE
12 CKT KEY B, LIGHT GRAY	34840-6420																			B	P	R	SALEABLE
12 CKT KEY A, BLACK	34840-6410																			A	P	R	SALEABLE
12 CKT KEY D, STONE GRAY	34840-6040																			D	P	R	PLANNED OBSOLESENCE
12 CKT KEY C, DARK GRAY	34840-6030																			C	P	R	PLANNED OBSOLESENCE
12 CKT KEY B, LIGHT GRAY	34840-6020																			B	P	R	PLANNED OBSOLESENCE
12 CKT KEY A, BLACK	34840-6010																			A	P	R	PLANNED OBSOLESENCE
ASSEMBLY DESCRIPTION	ASSEMBLY PART NUMBER																						PRODUCTION TOOL STATUS

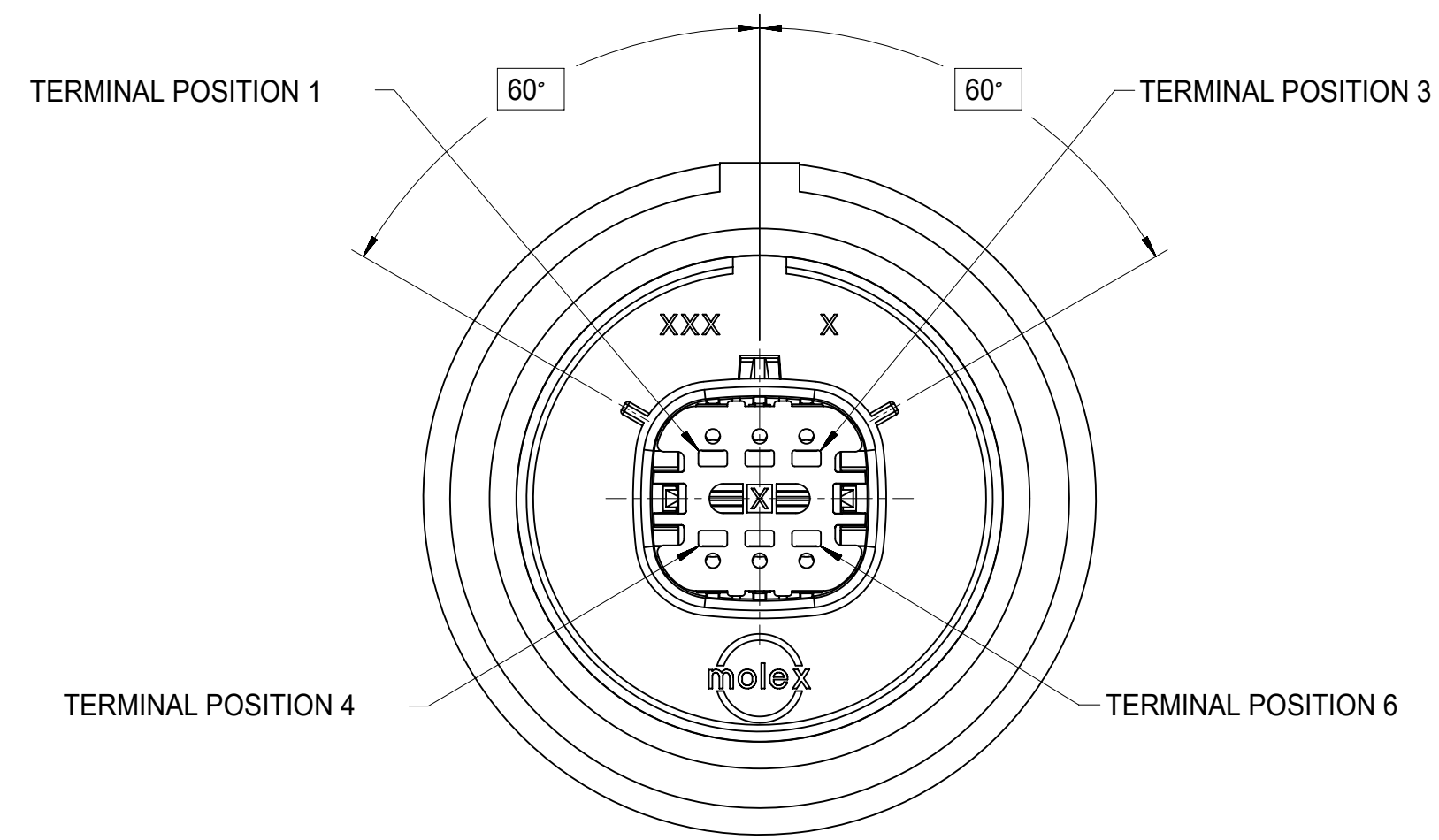
DESCRIPTION	COLOR	MATERIAL
12/16 CKT RING SEAL	RUST RED	INHERENTLY LUBRICATED SILICONE
UPDATED 16 CKT PLR	NATURAL	SPS/NYLON GF20
16 CKT PLR	NATURAL	SPS/NYLON GF20
16 CKT HOUSING KEYING OPTION D	STONE GRAY	SPS/NYLON GF20
16 CKT HOUSING KEYING OPTION C	DARK GRAY	SPS/NYLON GF20
16 CKT HOUSING KEYING OPTION B	LIGHT GRAY	SPS/NYLON GF20
16 CKT HOUSING KEYING OPTION A	BLACK	SPS/NYLON GF20
UPDATED 12 CKT PLR	NATURAL	SPS/NYLON GF20
12 CKT PLR	NATURAL	SPS/NYLON GF20
12 CKT HOUSING KEYING OPTION D	STONE GRAY	SPS/NYLON GF20
12 CKT HOUSING KEYING OPTION C	DARK GRAY	SPS/NYLON GF20
12 CKT HOUSING KEYING OPTION B	LIGHT GRAY	SPS/NYLON GF20
12 CKT HOUSING KEYING OPTION A	BLACK	SPS/NYLON GF20
DESCRIPTION	COLOR	MATERIAL

BOM/APPLICABLE COMPONENTS TABLE

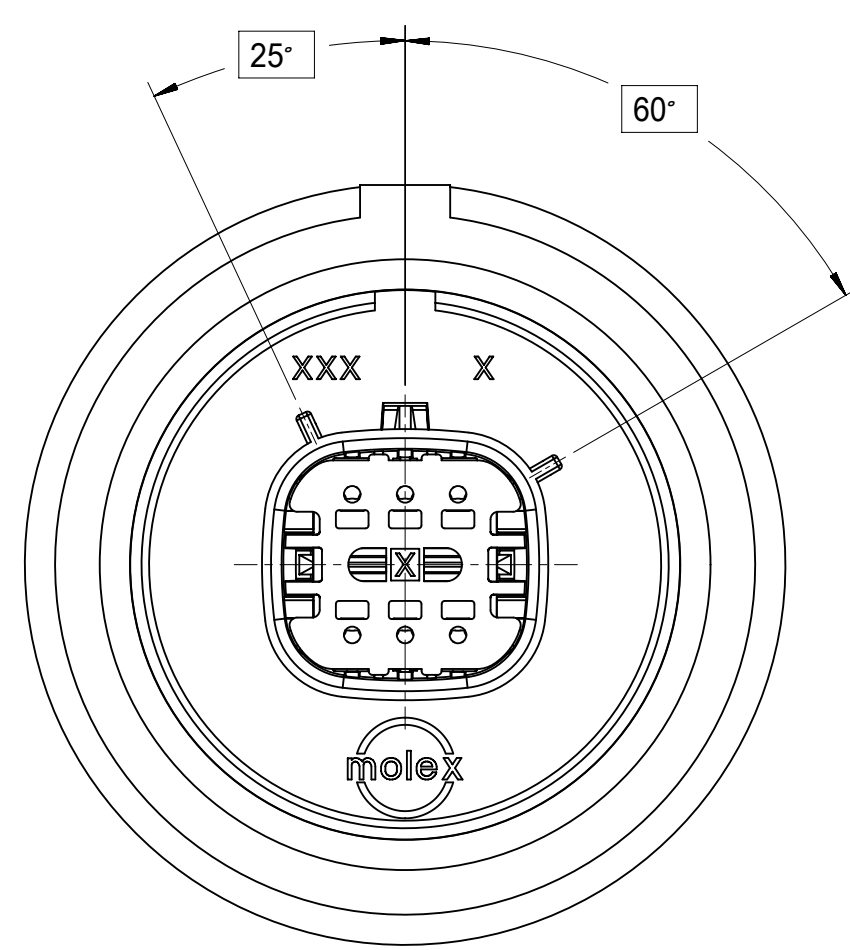
ABREVIATION	COMPONENT
A	HOUSING KEY A
B	HOUSING KEY B
C	HOUSING KEY C
D	HOUSING KEY D
P	PLR (STANDARD)/UPDATED PLR
R	RING SEAL

THIS DRAWING CONTAINS INFORMATION THAT IS PROPRIETARY TO MOLEX ELECTRONIC TECHNOLOGIES, LLC AND SHOULD NOT BE USED WITHOUT WRITTEN PERMISSION											
SYMBOLS		DIMENSION UNITS		SCALE		CURRENT REV DESC: ??????????????					
▽ = 0		mm		2:1		MOLEX					
▽ = 0		GENERAL TOLERANCES (UNLESS SPECIFIED)						MX150 DUAL ROW			
▽ = 0		ANGULAR TOL ± 3.0°		EC NO: 176779		BULKHEAD TWIST-LOCK CONNECTOR ASSEMBLY					
▽ = 0		4 PLACES ±		DRWN: WKHE 2018/05/08		PRODUCT CUSTOMER DRAWING					
▽ = 0		3 PLACES ±		CHK'D: MVANSLAMBROU 2018/05/18		DOCUMENT NUMBER					
▽ = 0		2 PLACES ± 0.1		APPR: MVANSLAMBROU 2018/05/18		DOC TYPE					
▽ = 0		1 PLACE ± 0.2		INITIAL REVISION:		DOC PART					
▽ = 0		0 PLACES ±		DRWN: MVANSLAMBROU 2010/10/01		REVISION					
▽ = 0		DRAFT WHERE APPLICABLE MUST REMAIN WITHIN DIMENSIONS		APPR: VKOSHY 2010/10/05		SD-34840-001					
▽ = 0		THIRD ANGLE PROJECTION		DRAWING		PSD					
▽ = 0		D-SIZE		SERIES		001					
▽ = 0		34840		MATERIAL NUMBER		B6					
▽ = 0		SEE TABLE		CUSTOMER		3 OF 10					
▽ = 0		GENERAL MARKET		SHEET NUMBER							

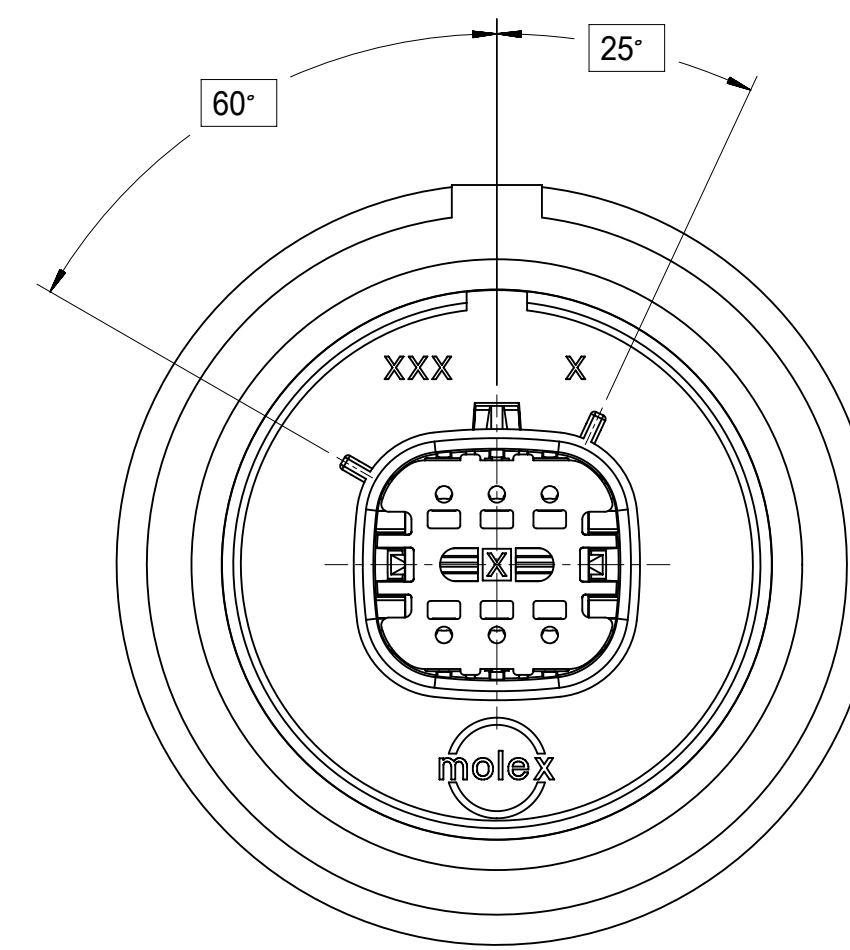
6/8 CKT KEY OPTION CONFIGURATIONS



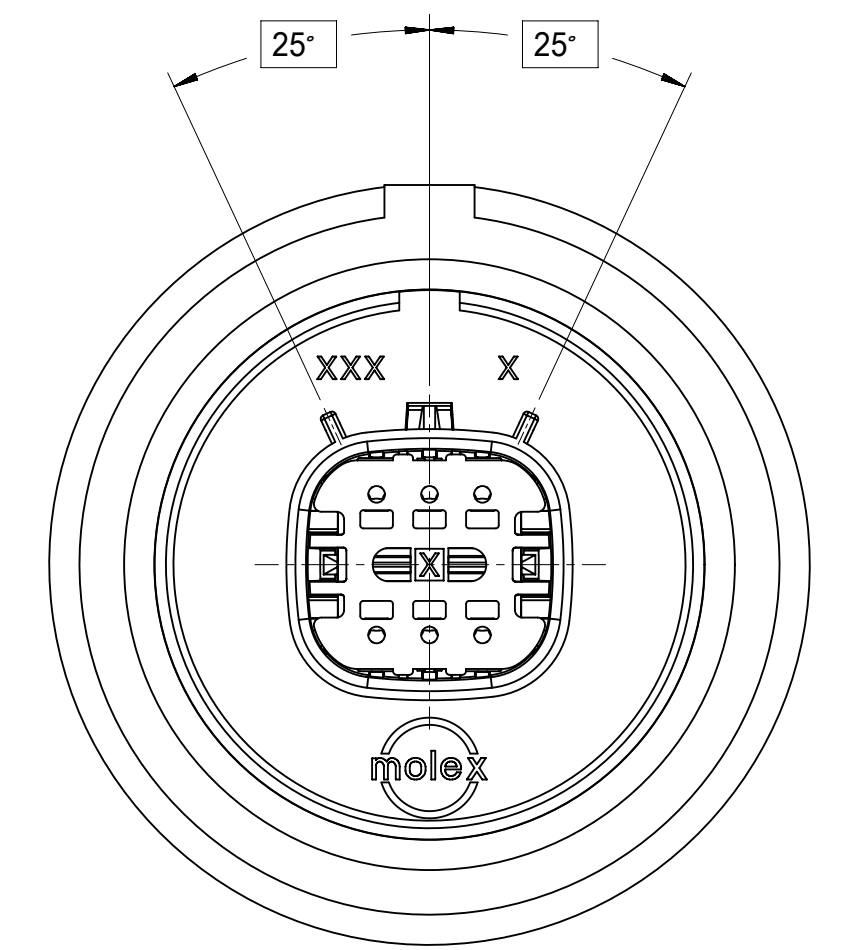
KEY OPTION A



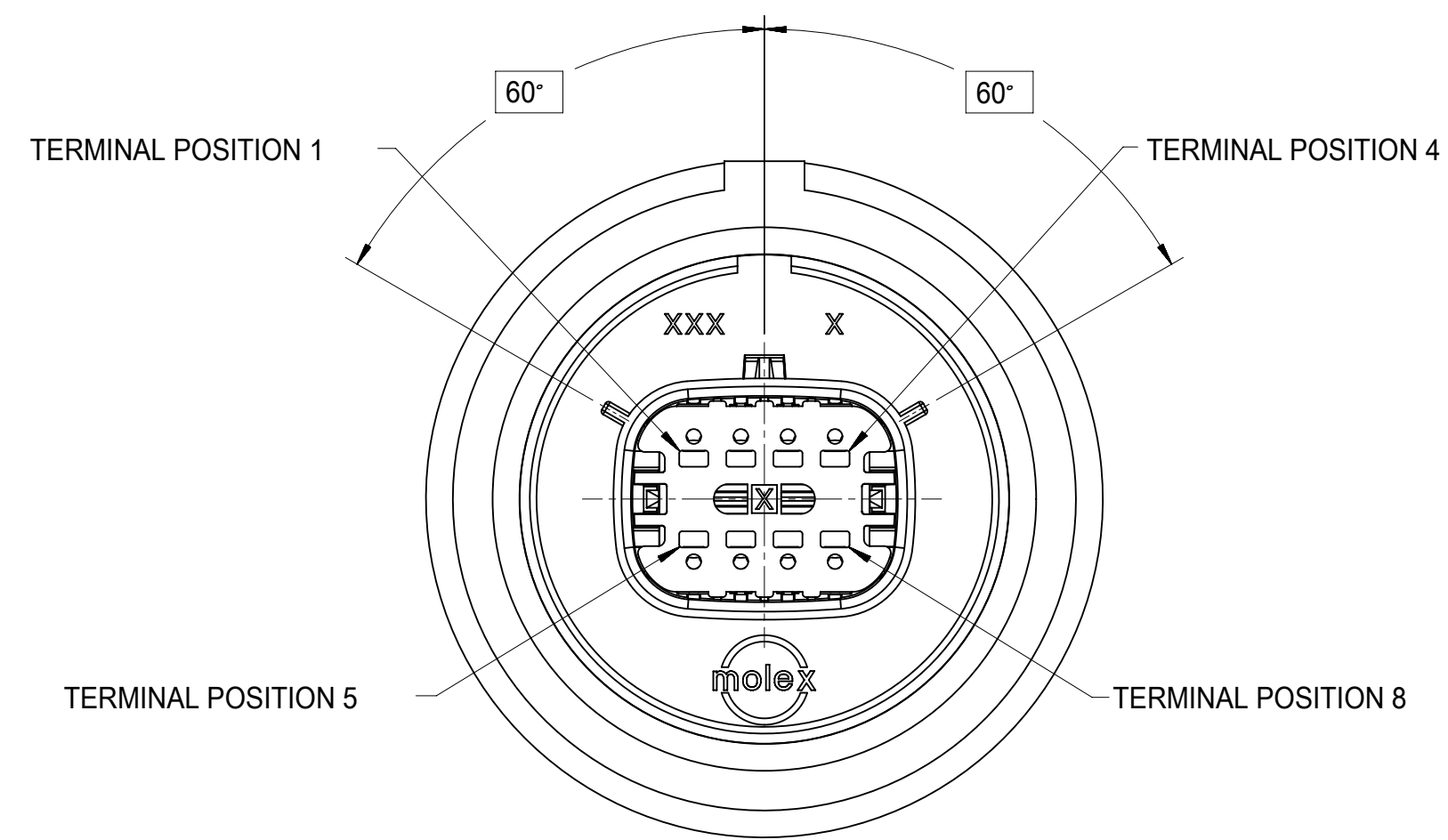
KEY OPTION B



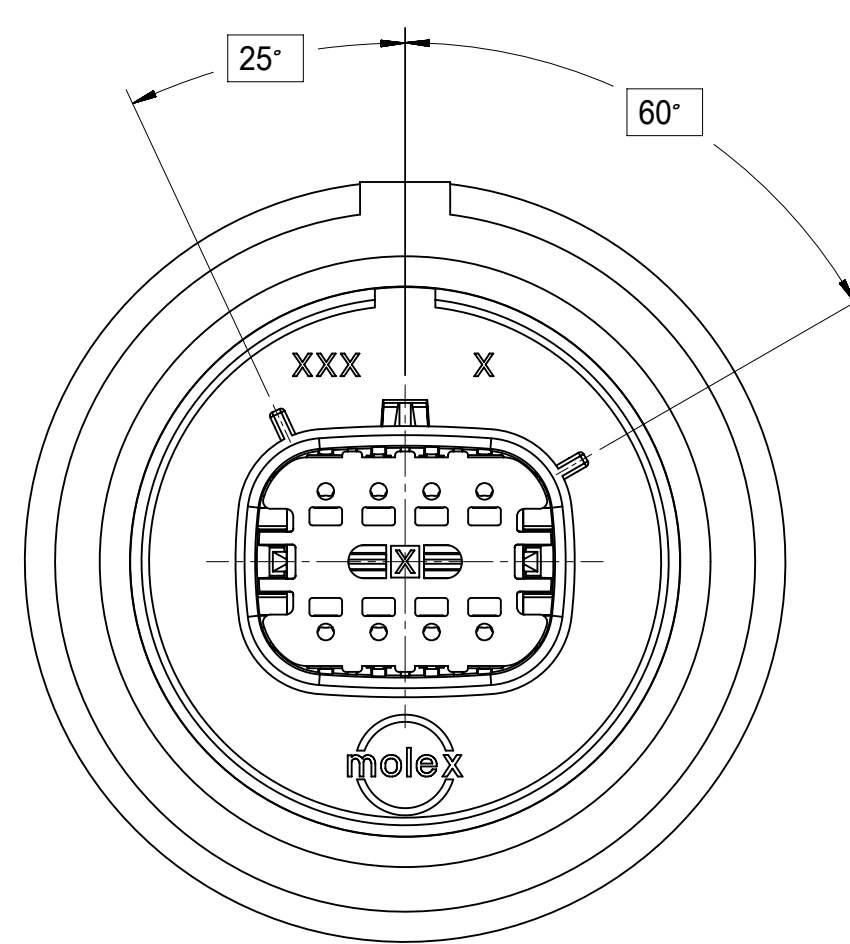
KEY OPTION C



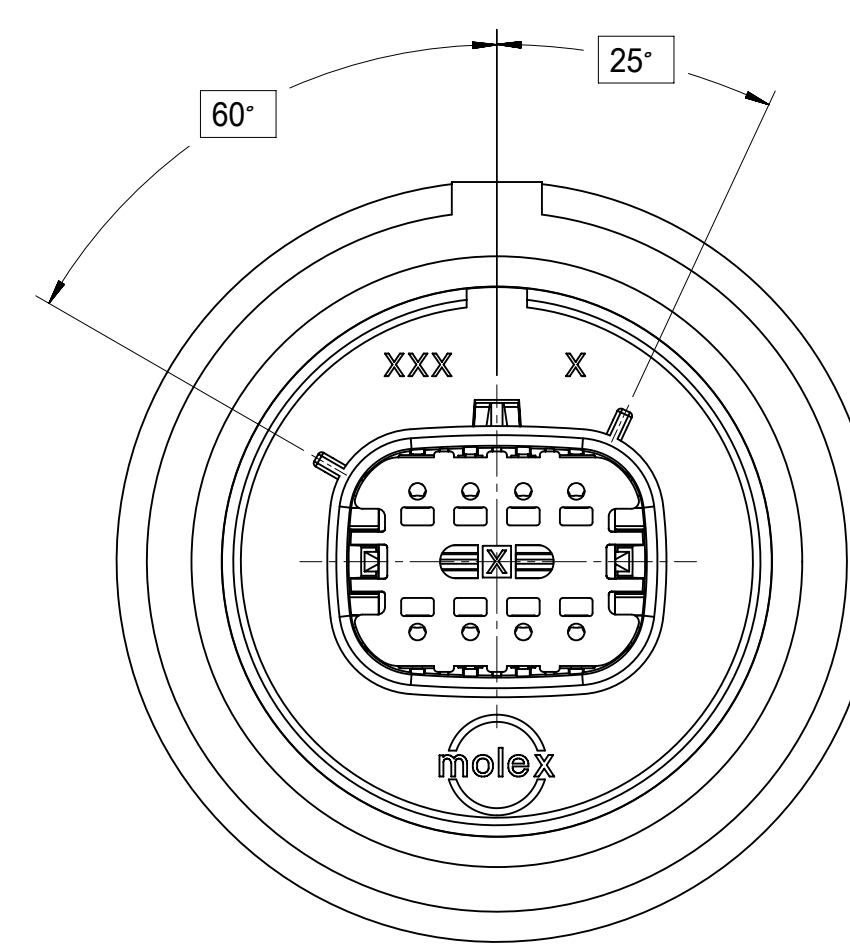
KEY OPTION D



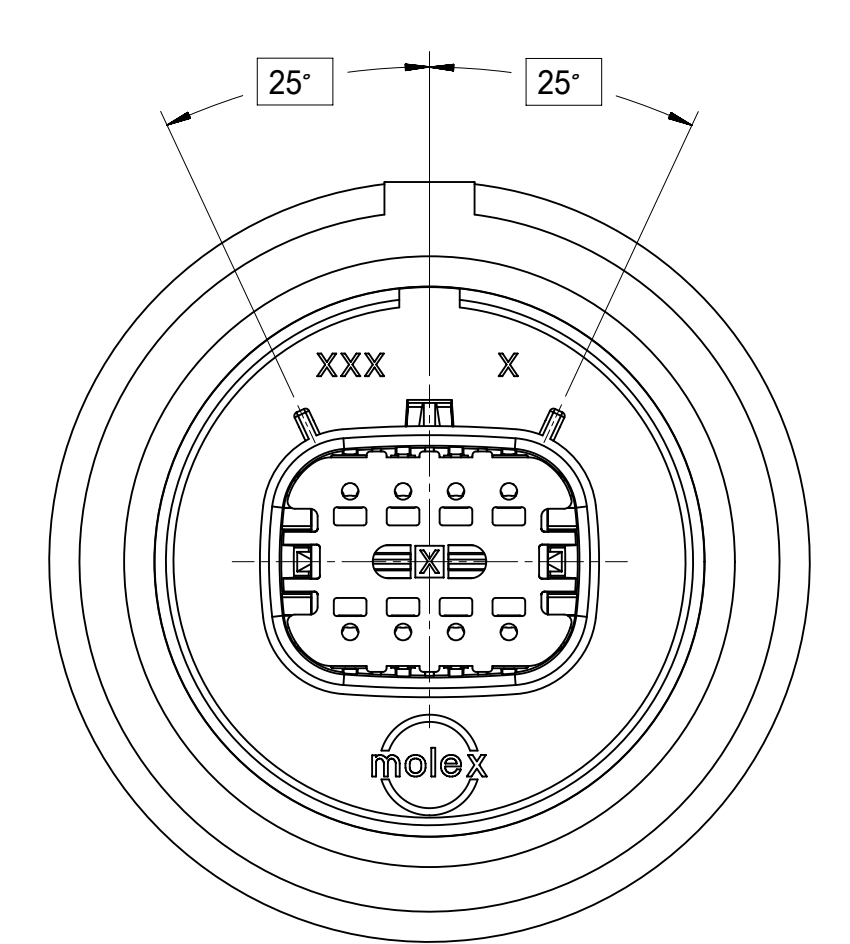
KEY OPTION A



KEY OPTION B



KEY OPTION C



KEY OPTION D

SYMBOLS	THIS DRAWING CONTAINS INFORMATION THAT IS PROPRIETARY TO MOLEX ELECTRONIC TECHNOLOGIES, LLC AND SHOULD NOT BE USED WITHOUT WRITTEN PERMISSION		CURRENT REV DESC: ????????????????	
	DIMENSION UNITS	SCALE		
▽ = 0	mm	2:1		
▽ = 0	GENERAL TOLERANCES (UNLESS SPECIFIED)			
▽ = 0	ANGULAR TOL ± 3.0°			
▽ = 0	4 PLACES	±		
▽ = 0	3 PLACES	±		
▽ = 0	2 PLACES	± 0.1		
▽ = 0	1 PLACE	± 0.2		
▽ = 0	0 PLACES	±		
■ = 0	DRAFT WHERE APPLICABLE MUST REMAIN WITHIN DIMENSIONS			
▽ = 0	THIRD ANGLE PROJECTION		DRAWING	SERIES
			D-SIZE	34840
			MATERIAL NUMBER	CUSTOMER
			SEE TABLE	GENERAL MARKET
DOCUMENT NUMBER		DOC TYPE	DOC PART	REVISION
SD-34840-001		PSD	001	B6
DOCUMENT STATUS		RELEASE DATE	SHEET NUMBER	
P1		2018/05/18 13:23:51	4 OF 10	

**molex**

MX150 DUAL ROW  
BULKHEAD TWIST-LOCK CONNECTOR ASSEMBLY

PRODUCT CUSTOMER DRAWING

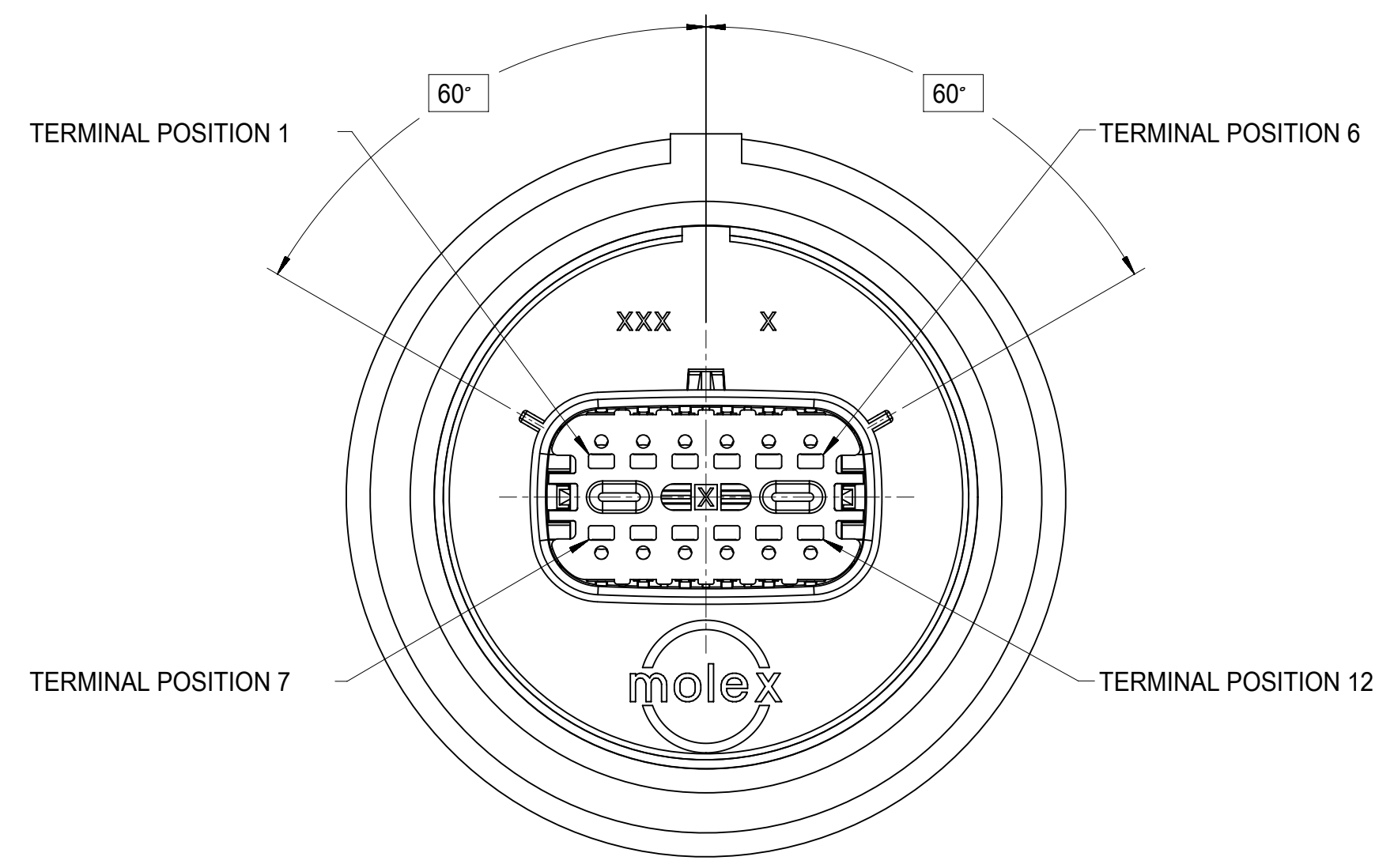
EC NO: 176779  
DRWN: WKHE 2018/05/08  
CHK'D: MVANSLAMBROU 2018/05/18  
APPR: MVANSLAMBROU 2018/05/18

INITIAL REVISION:  
DRWN: MVANSLAMBROU 2010/10/01  
APPR: VKOSHY 2010/10/05

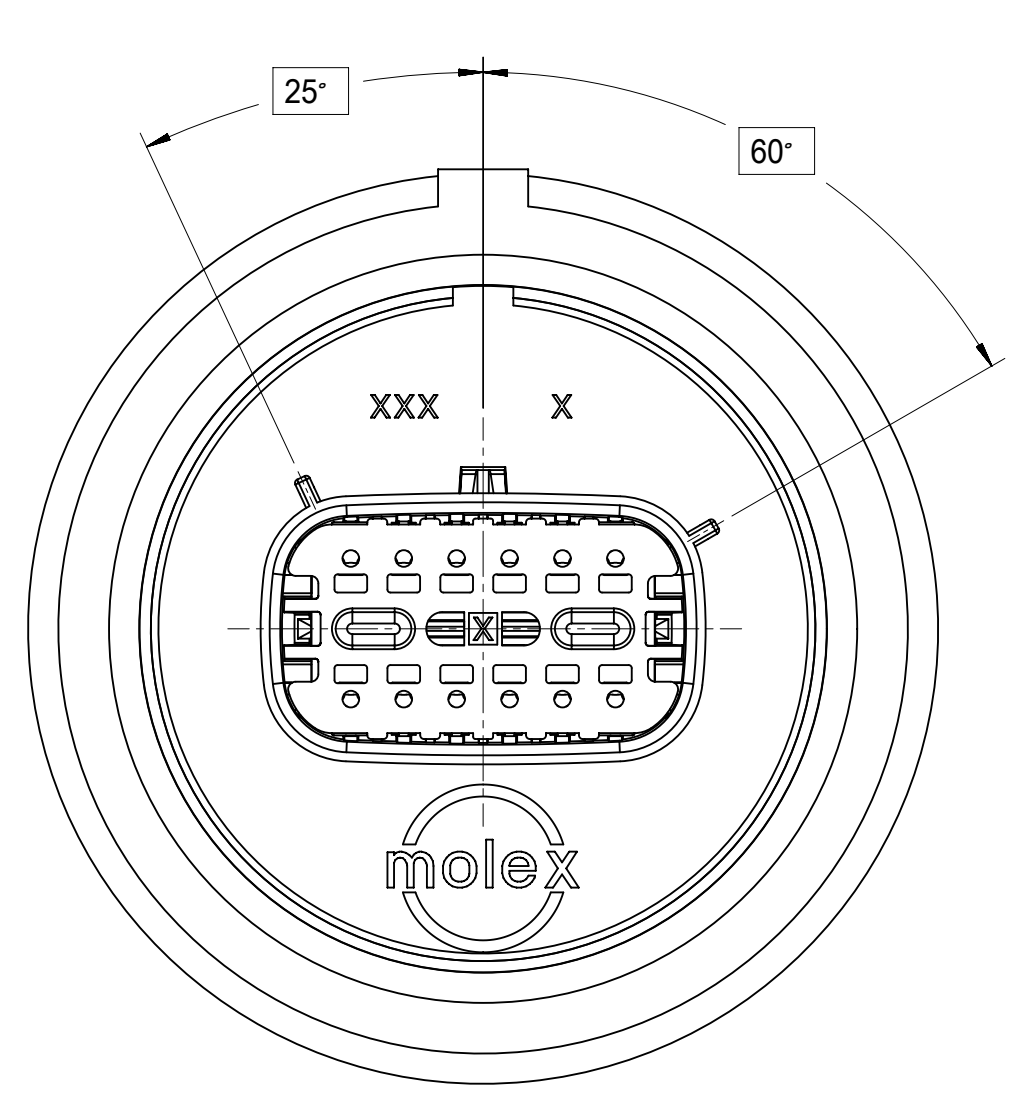
DOCUMENT NUMBER: SD-34840-001  
DOC TYPE: PSD  
DOC PART: 001  
REVISION: B6

THIRD ANGLE PROJECTION  
D-SIZE 34840

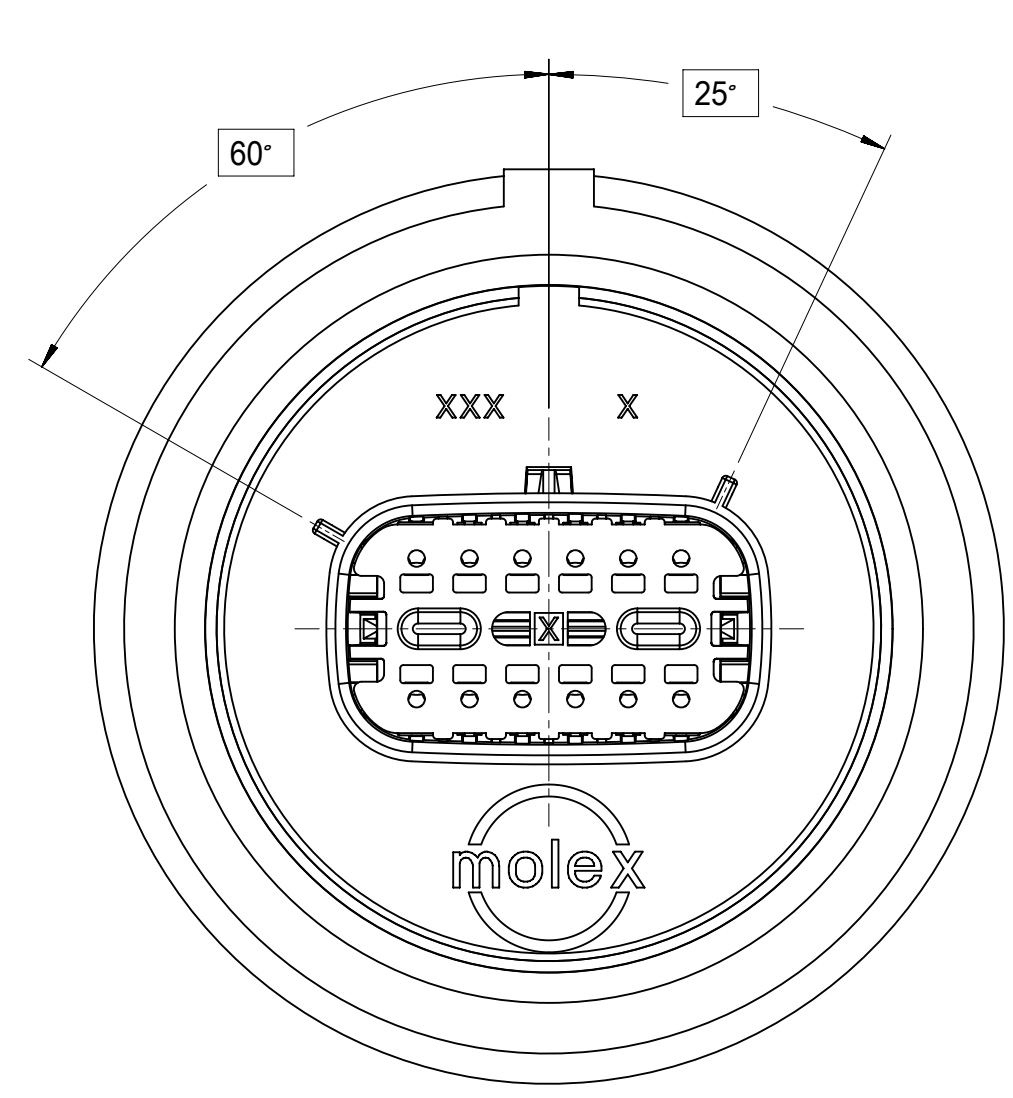
MATERIAL NUMBER: SEE TABLE  
CUSTOMER: GENERAL MARKET  
SHEET NUMBER: 4 OF 10



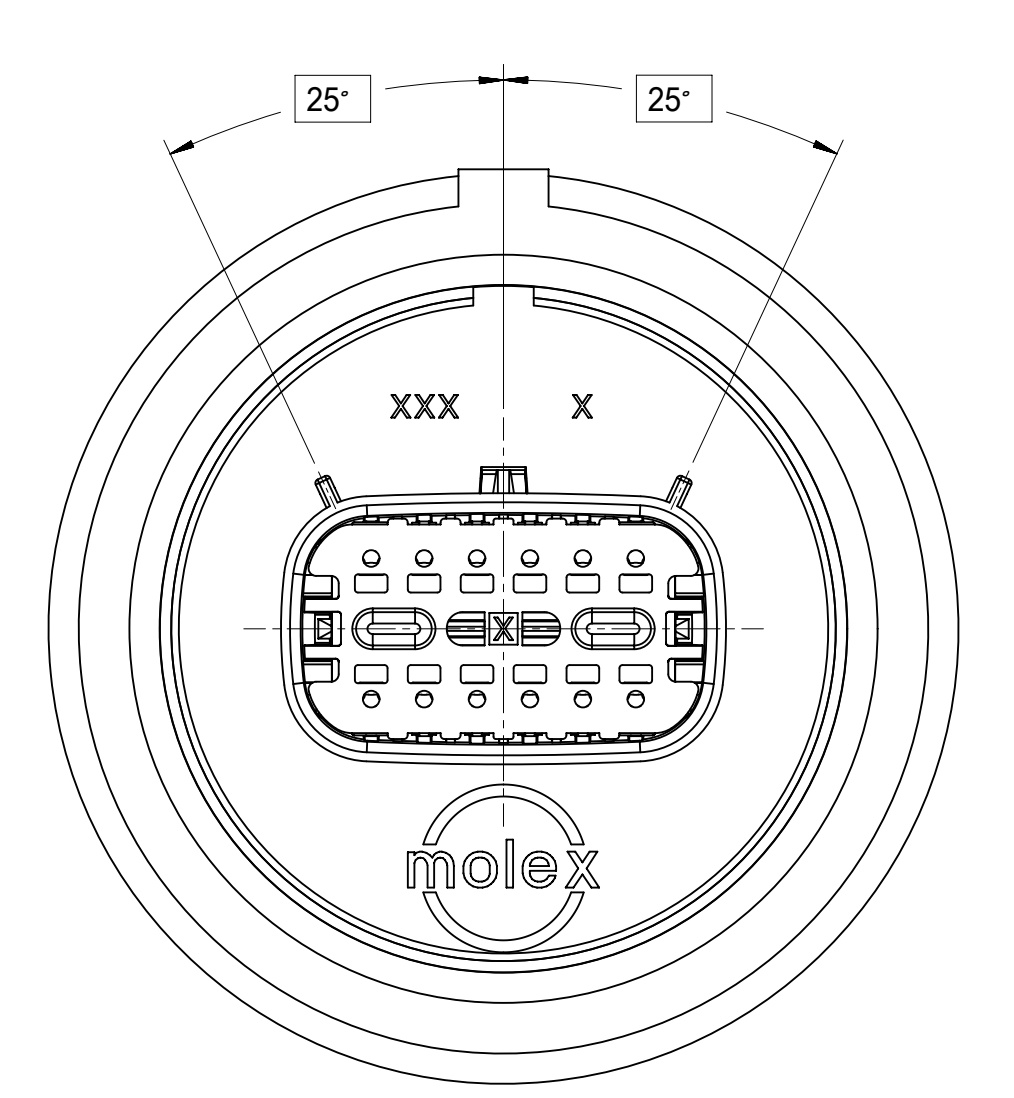
KEY OPTION A



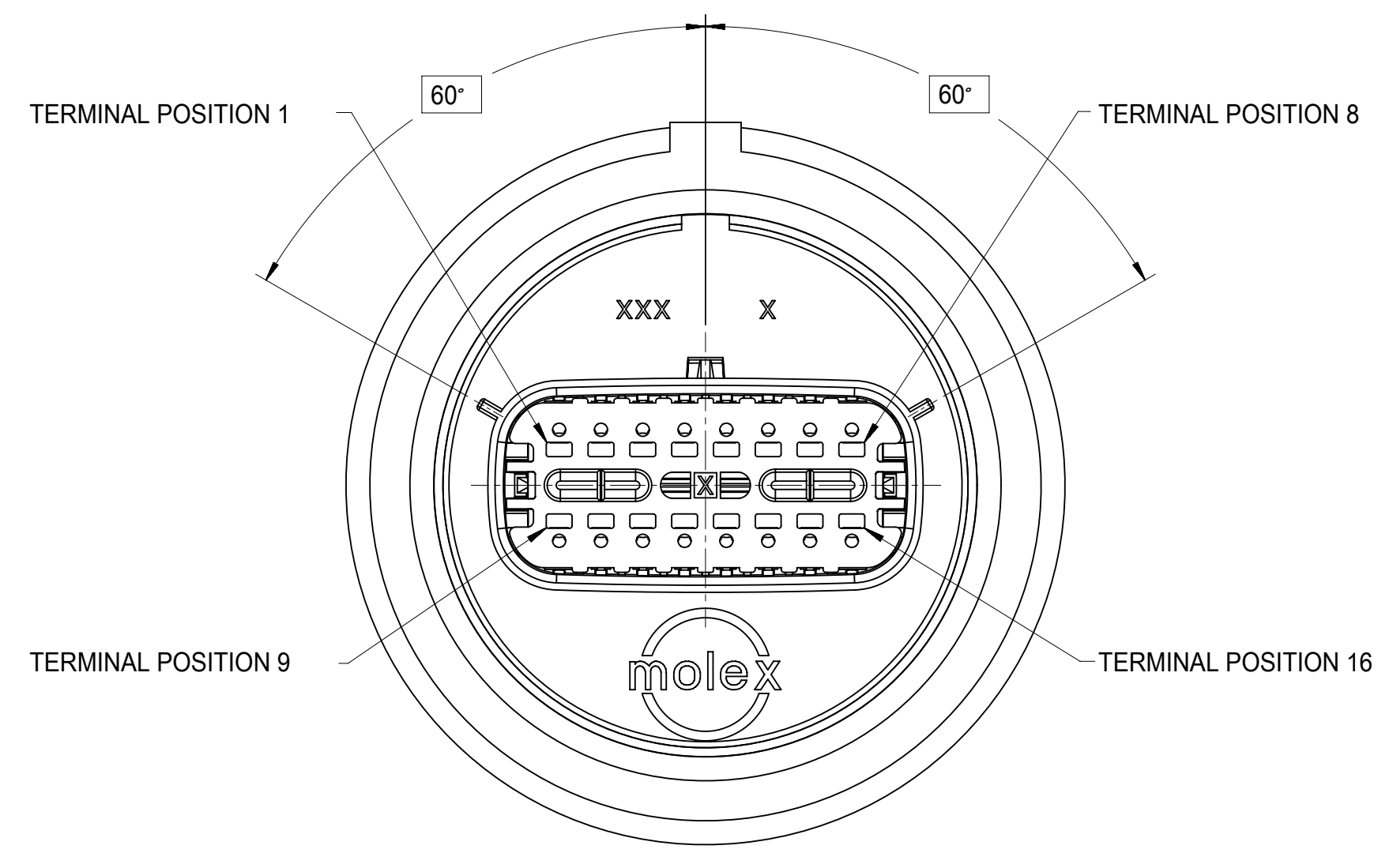
KEY OPTION B



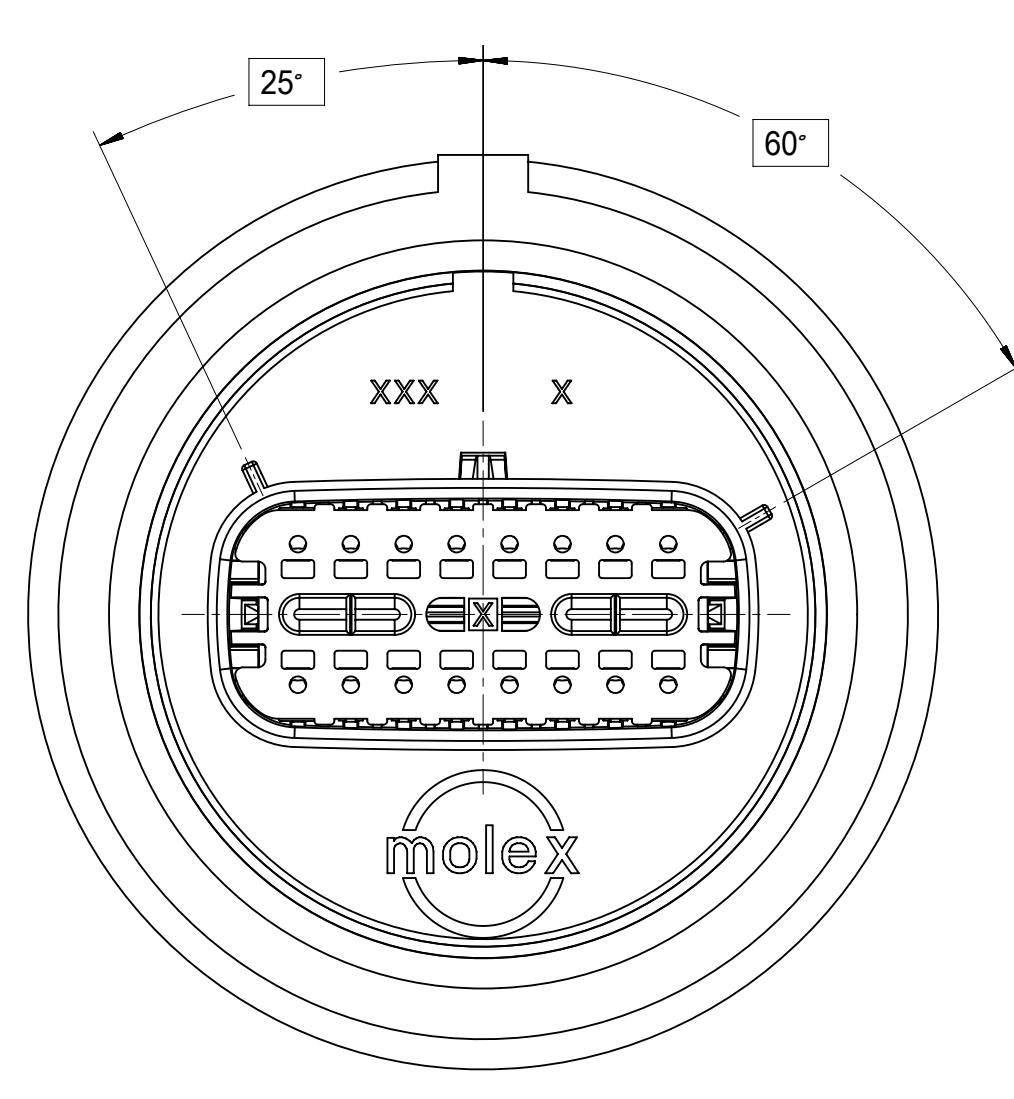
KEY OPTION C



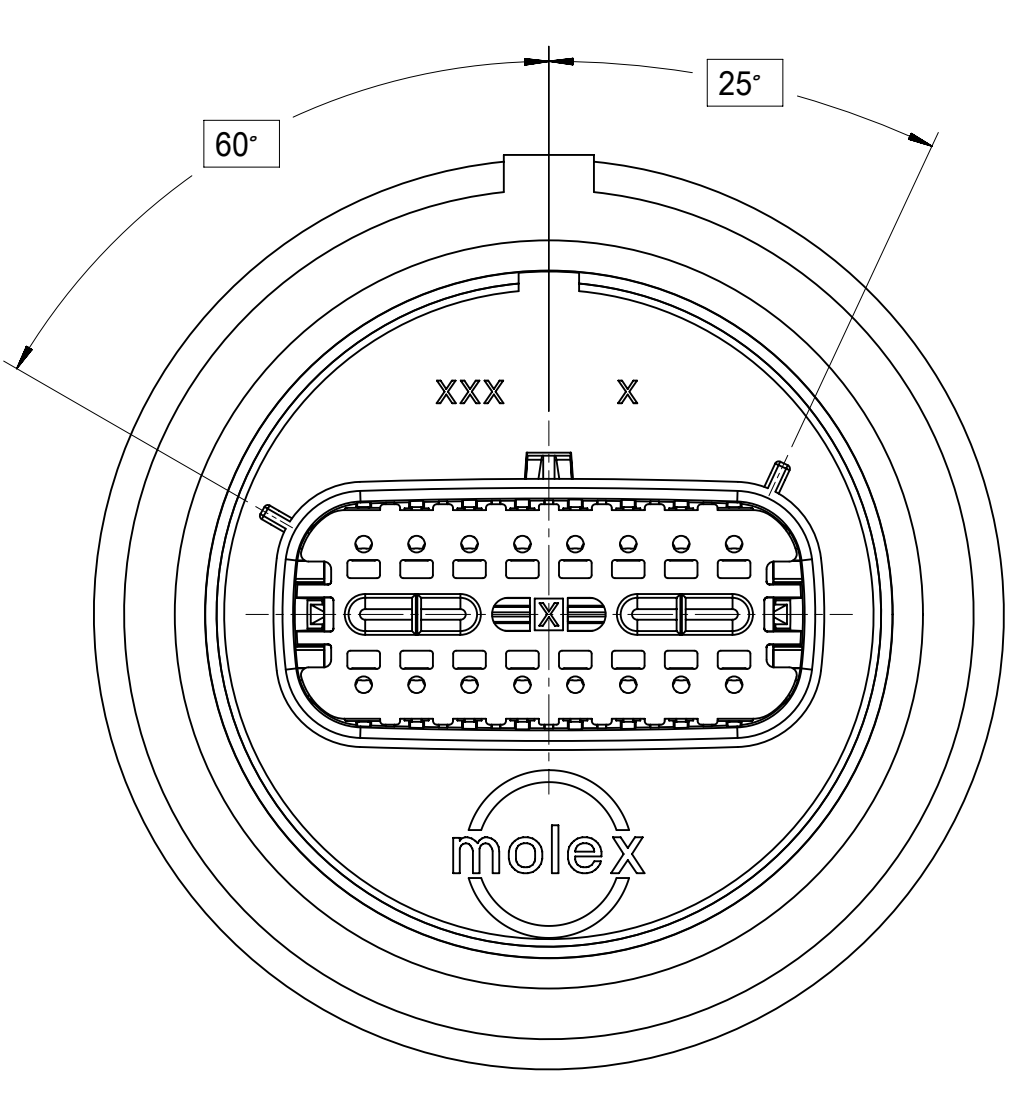
KEY OPTION D



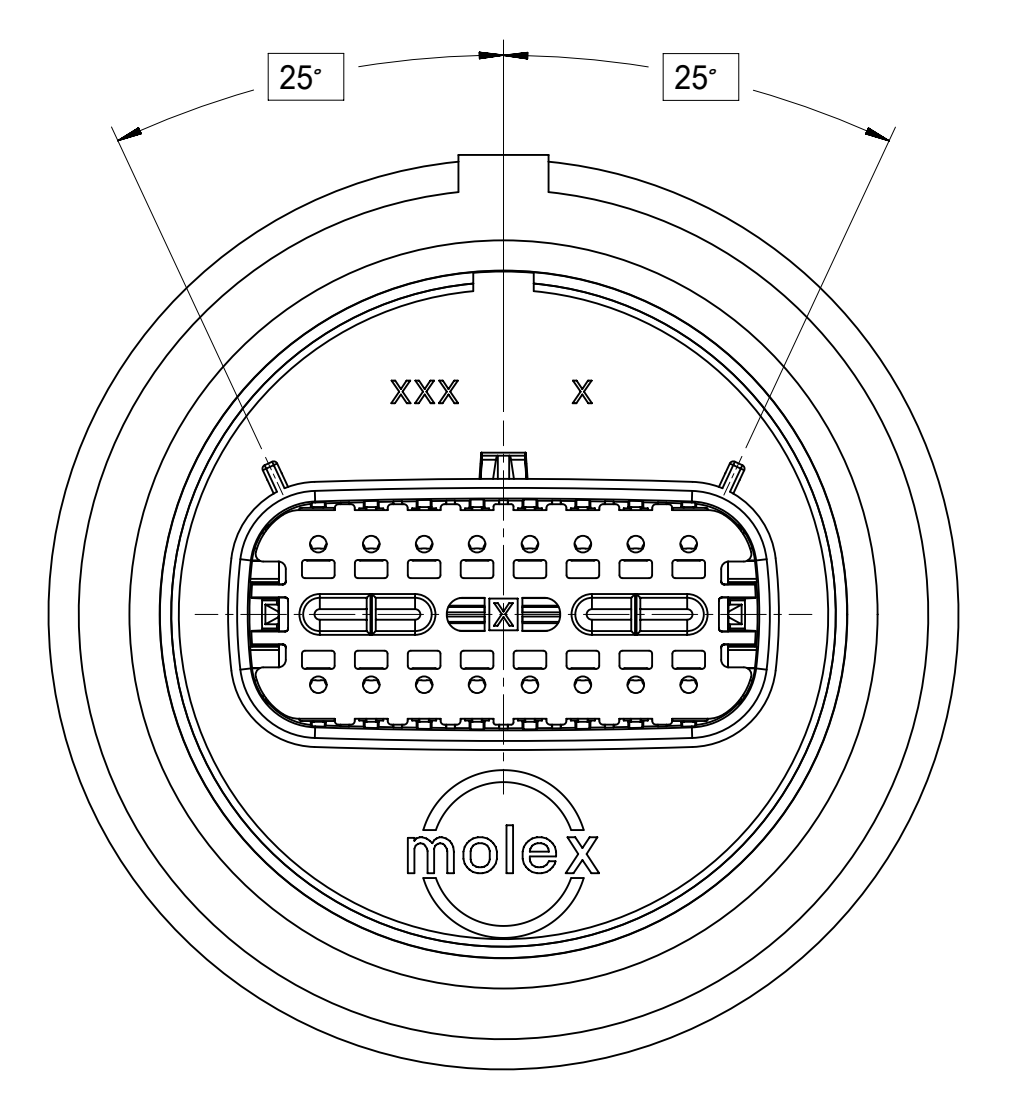
KEY OPTION A



KEY OPTION B



KEY OPTION C

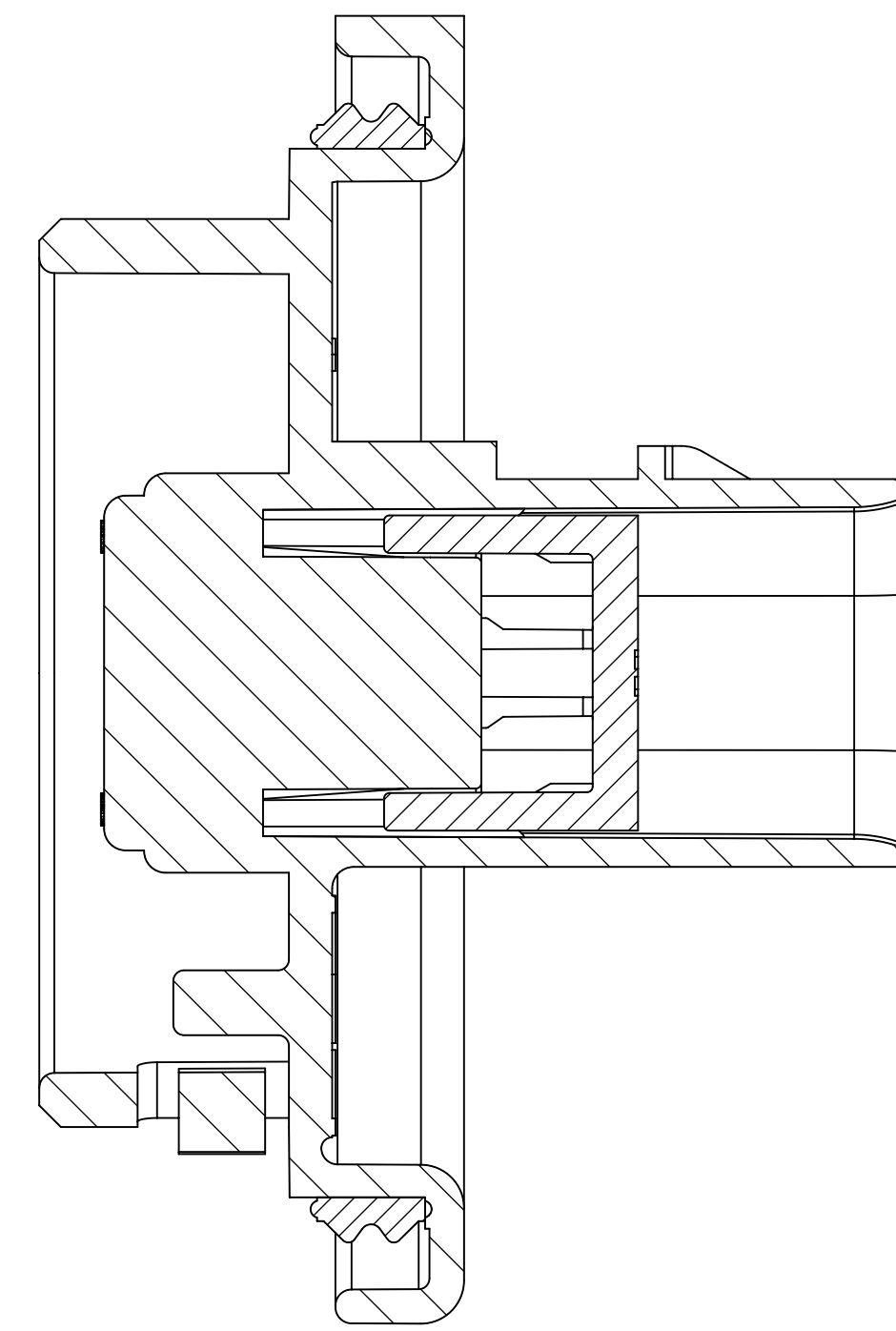
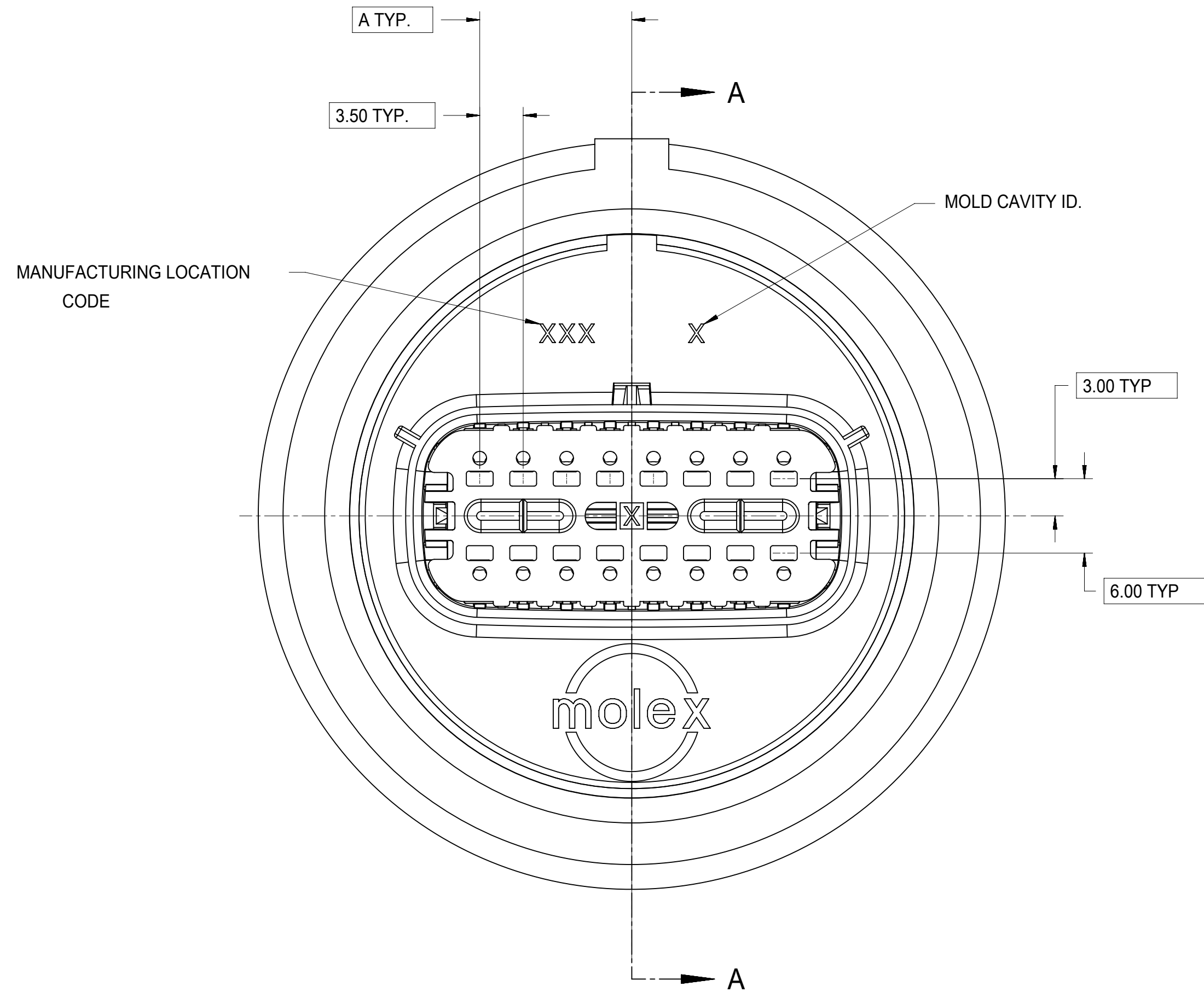
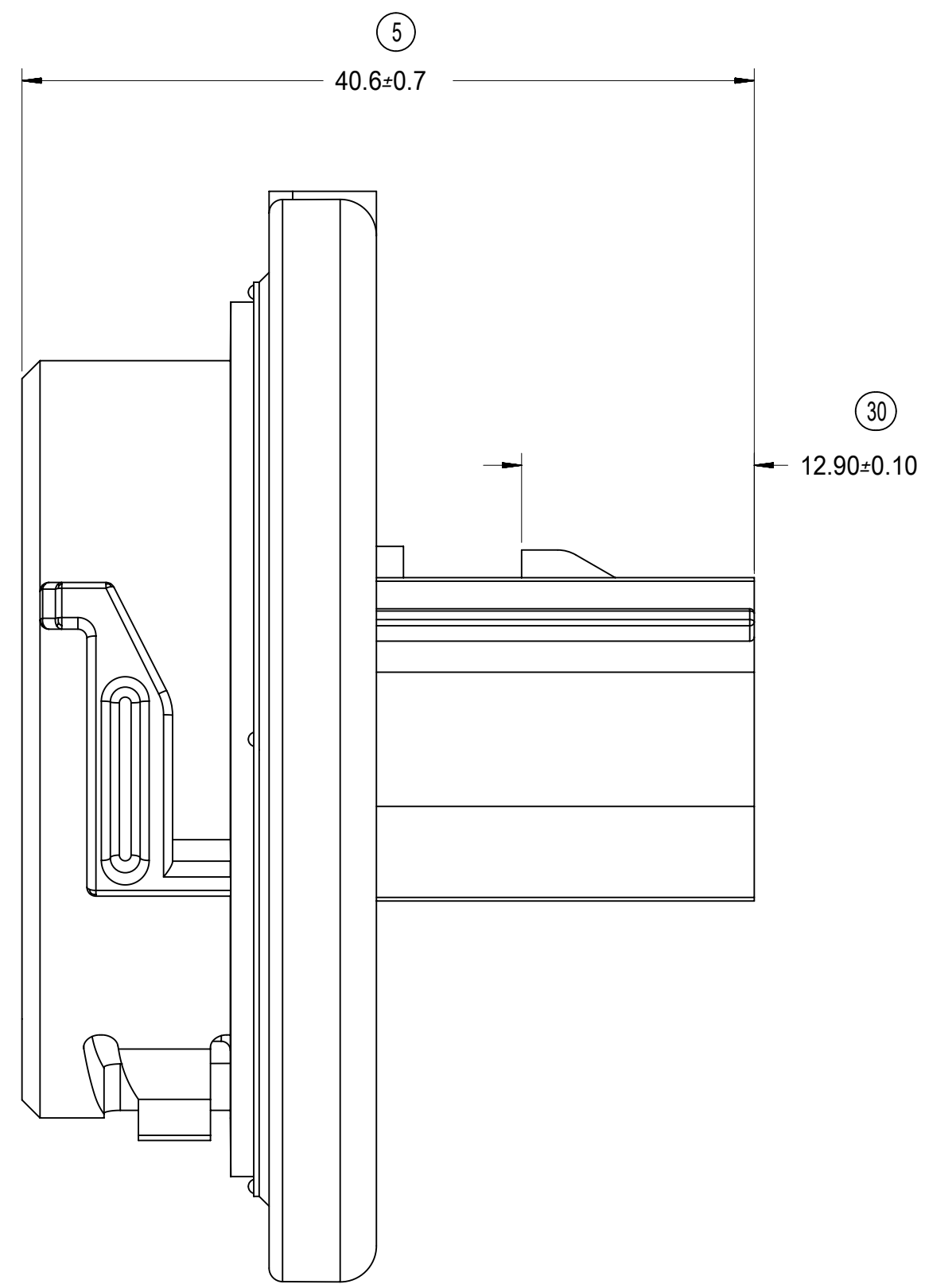


KEY OPTION D

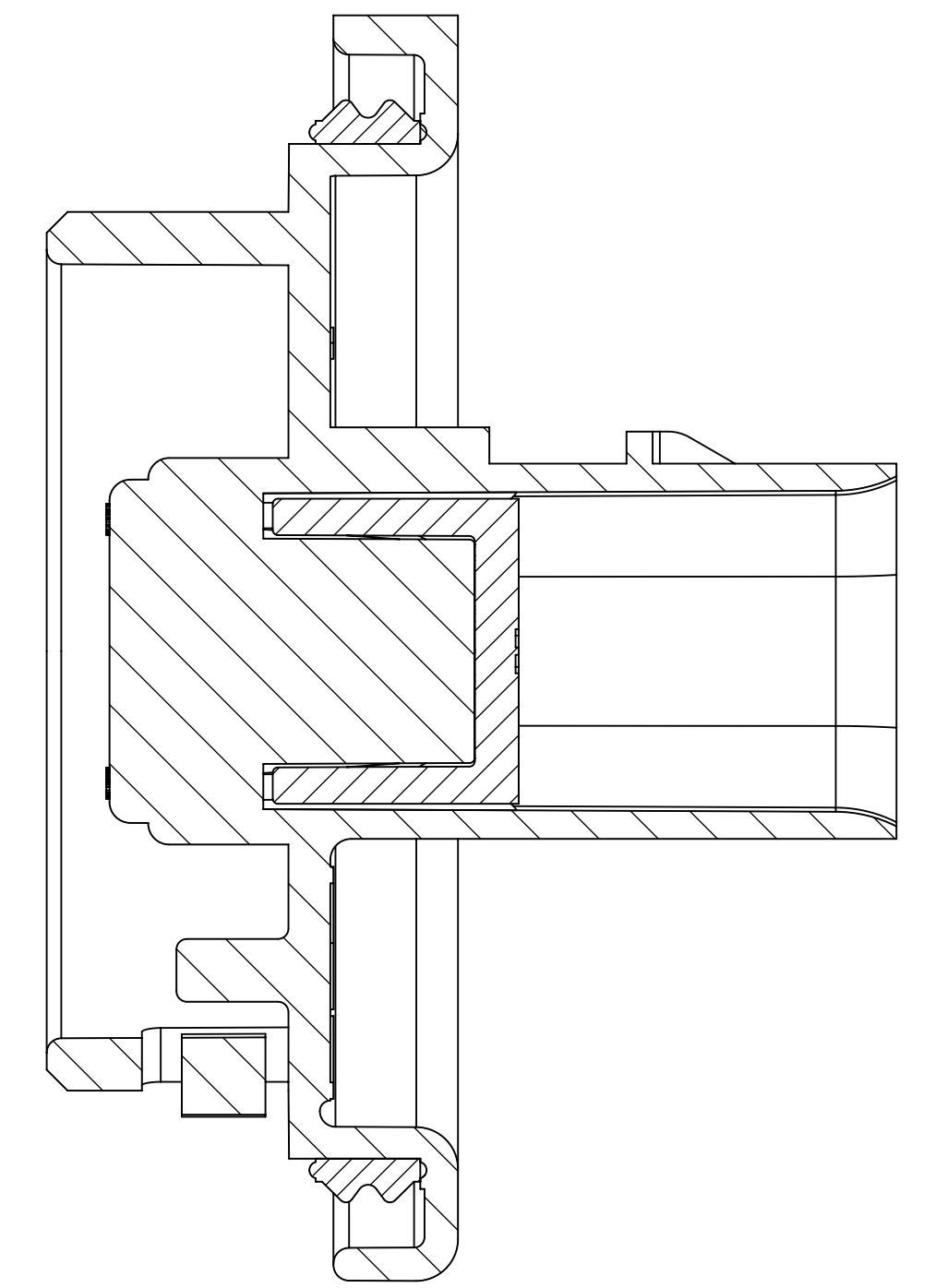
SYMBOLS	THIS DRAWING CONTAINS INFORMATION THAT IS PROPRIETARY TO MOLEX ELECTRONIC TECHNOLOGIES, LLC AND SHOULD NOT BE USED WITHOUT WRITTEN PERMISSION		
	DIMENSION UNITS	SCALE	CURRENT REV DESC: ??????????????
▽ = 0	mm	2:1	EC NO: 176779 DRWN: WKHE 2018/05/08 CHK'D: MVANSLAMBROU 2018/05/18 APPR: MVANSLAMBROU 2018/05/18
▽ = 0	GENERAL TOLERANCES (UNLESS SPECIFIED)		
▽ = 0	ANGULAR TOL ± 3.0°		INITIAL REVISION: DRWN: MVANSLAMBROU 2010/10/01 APPR: VKOSHY 2010/10/05
▽ = 0	4 PLACES	±	
▽ = 0	3 PLACES	±	DOCUMENT NUMBER: SD-34840-001 DOC TYPE: PSD DOC PART: 001 REVISION: B6
▽ = 0	2 PLACES	± 0.1	
▽ = 0	1 PLACE	± 0.2	MATERIAL NUMBER: SEE TABLE CUSTOMER: GENERAL MARKET SHEET NUMBER: 5 OF 10
▽ = 0	0 PLACES	±	
▽ = 0	DRAFT WHERE APPLICABLE MUST REMAIN WITHIN DIMENSIONS	THIRD ANGLE PROJECTION	DRAWING: D-SIZE SERIES: 34840

CIRCUIT SIZE	DIMENSIONS	
	A	B
6	3.50	50.3
8	5.25	50.3
12	8.75	60.2
16	12.25	60.2

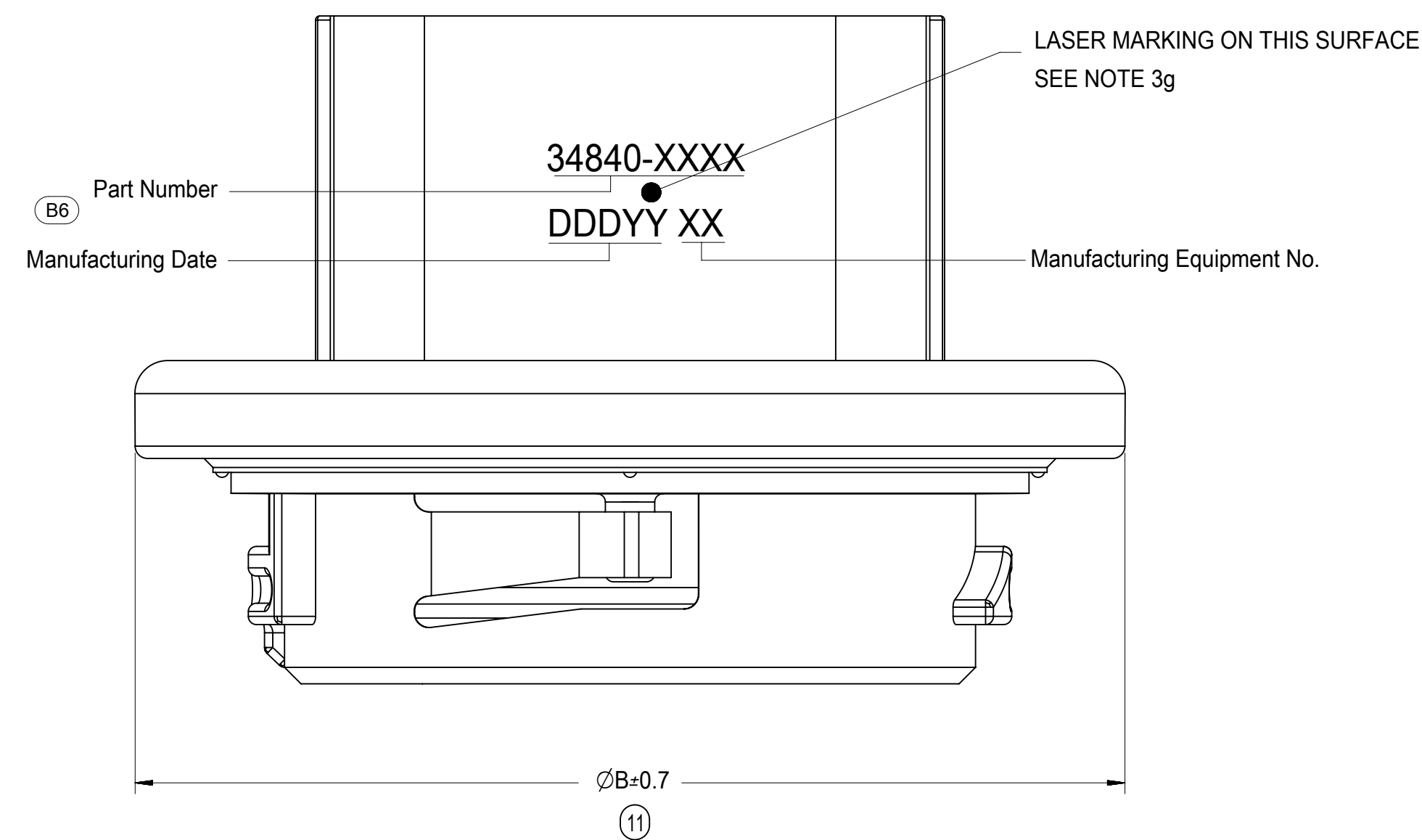
BULKHEAD CONNECTOR



SECTION A-A  
PLR SHOWN IN PRE-LOCK POSITION

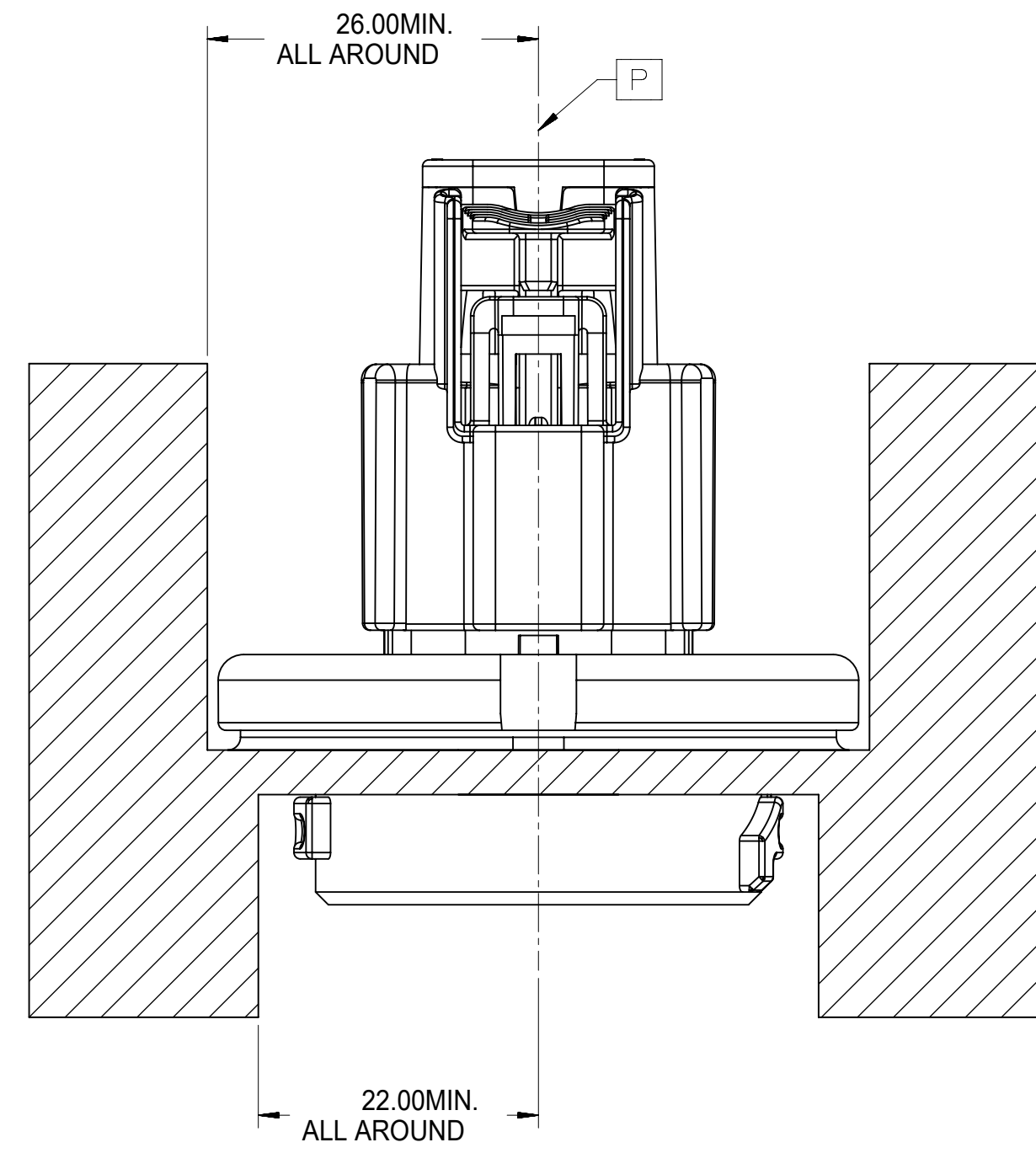


SECTION A-A  
PLR SHOWN IN FINAL-LOCK POSITION

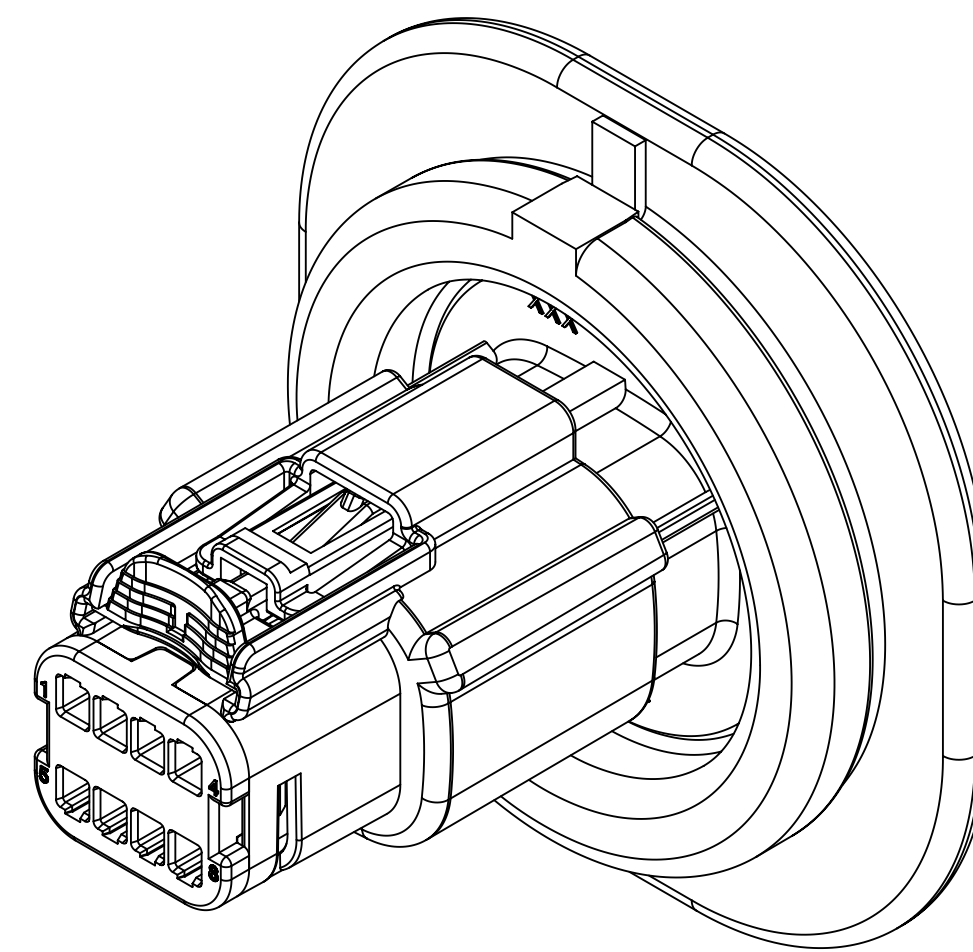
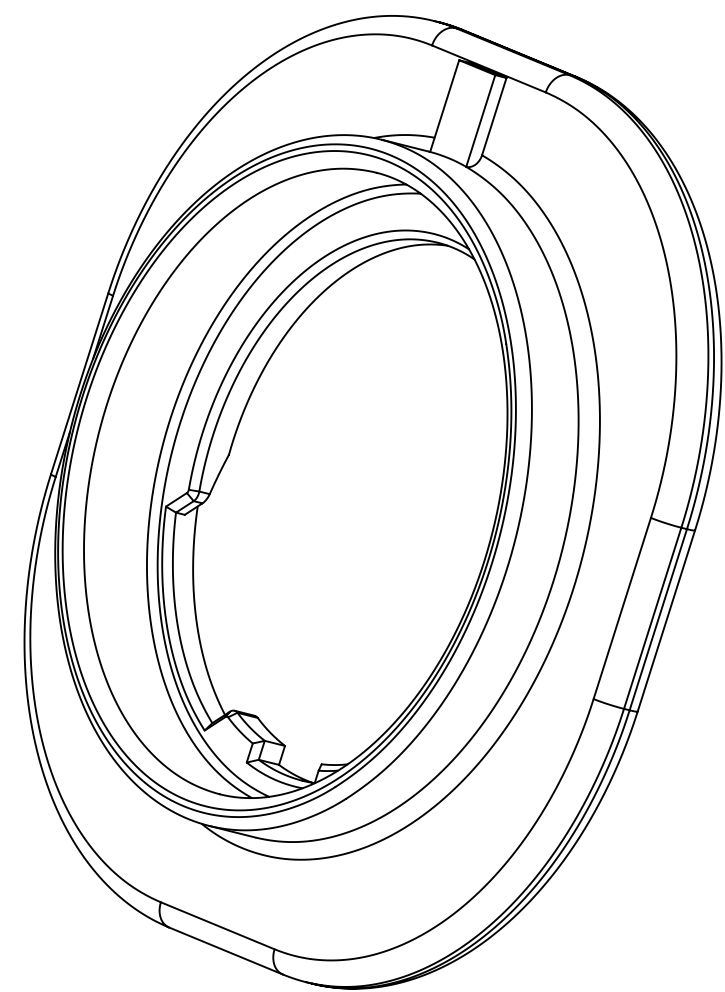
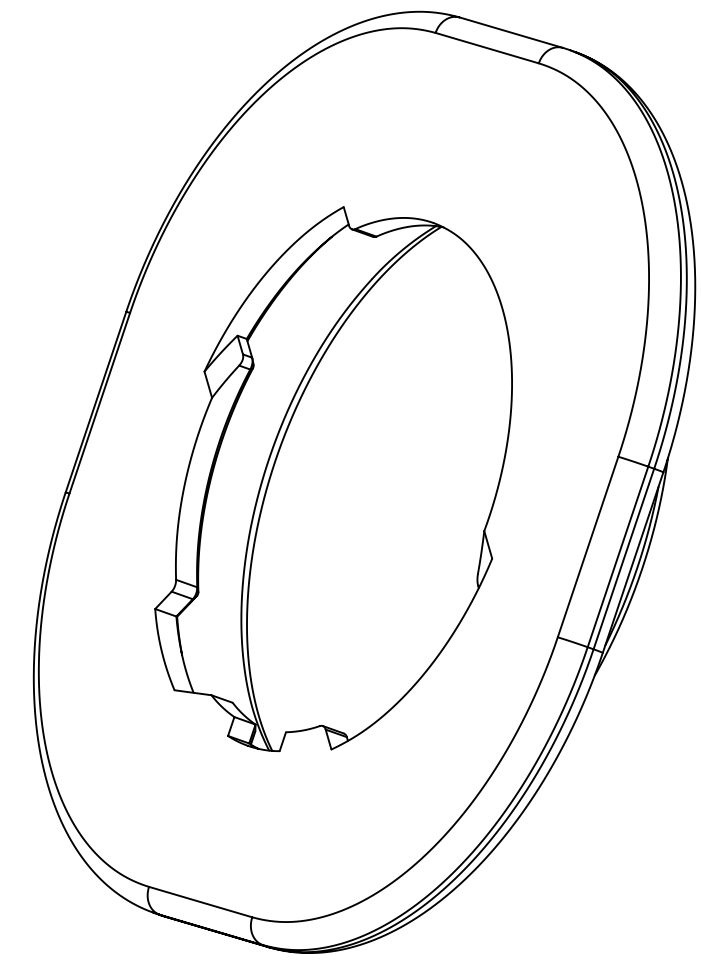


SYMBOLS		THIS DRAWING CONTAINS INFORMATION THAT IS PROPRIETARY TO MOLEX ELECTRONIC TECHNOLOGIES, LLC AND SHOULD NOT BE USED WITHOUT WRITTEN PERMISSION	
DIMENSION UNITS	SCALE	CURRENT REV DESC: ????????????????	
▽ = 0	mm	2:1	
▽ = 0	GENERAL TOLERANCES (UNLESS SPECIFIED)		
▽ = 0	ANGULAR TOL	± 3.0°	
▽ = 0	4 PLACES	±	
▽ = 0	3 PLACES	±	
▽ = 0	2 PLACES	± 0.1	
▽ = 0	1 PLACE	± 0.2	
▽ = 0	0 PLACES	±	
■ = 0	DRAFT WHERE APPLICABLE MUST REMAIN WITHIN DIMENSIONS		
▽ = 0	THIRD ANGLE PROJECTION	DRAWING	SERIES
		D-SIZE	34840
		EC NO: 176779	
		DRWN: WKHE	2018/05/08
		CHK'D: MVANSLAMBROU	2018/05/18
		APPR: MVANSLAMBROU	2018/05/18
		INITIAL REVISION:	
		DRWN: MVANSLAMBROU	2010/10/01
		APPR: VKOSHY	2010/10/05
		PRODUCT CUSTOMER DRAWING	
		DOCUMENT NUMBER	DOC TYPE DOC PART REVISION
		SD-34840-001	PSD 001 B6
		MATERIAL NUMBER	CUSTOMER
		SEE TABLE	GENERAL MARKET
		SHEET NUMBER	
		6 OF 10	

IF BULKHEAD INTERFACE IS RECESSED INTO A POCKET, THESE DIMENSIONS REPRESENT THE MINIMUM CLEARANCE REQUIRED FOR THE MATING HARNESS AND BULKHEAD CONNECTOR SHROUDS.



PACKAGING FRAME

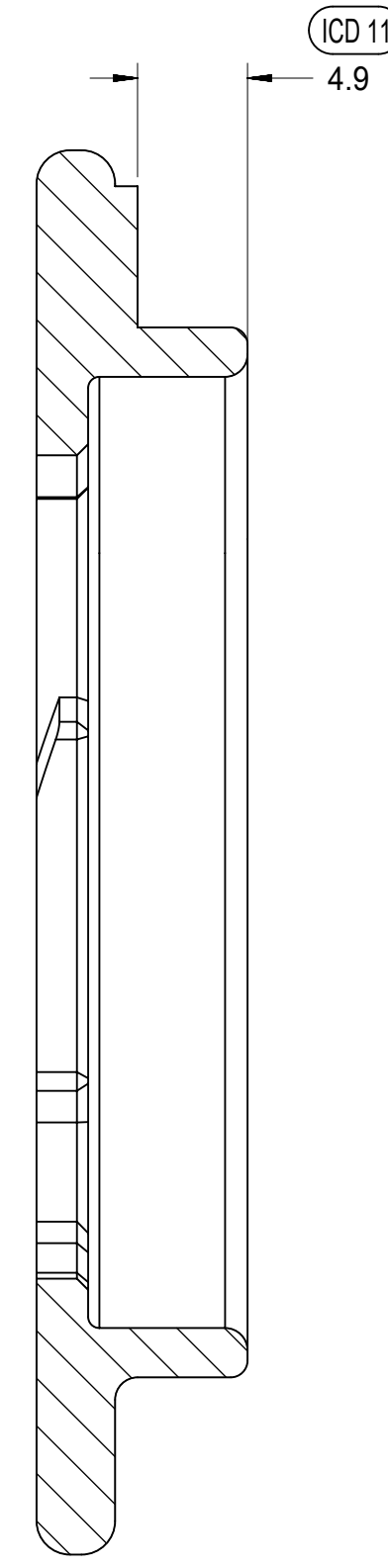
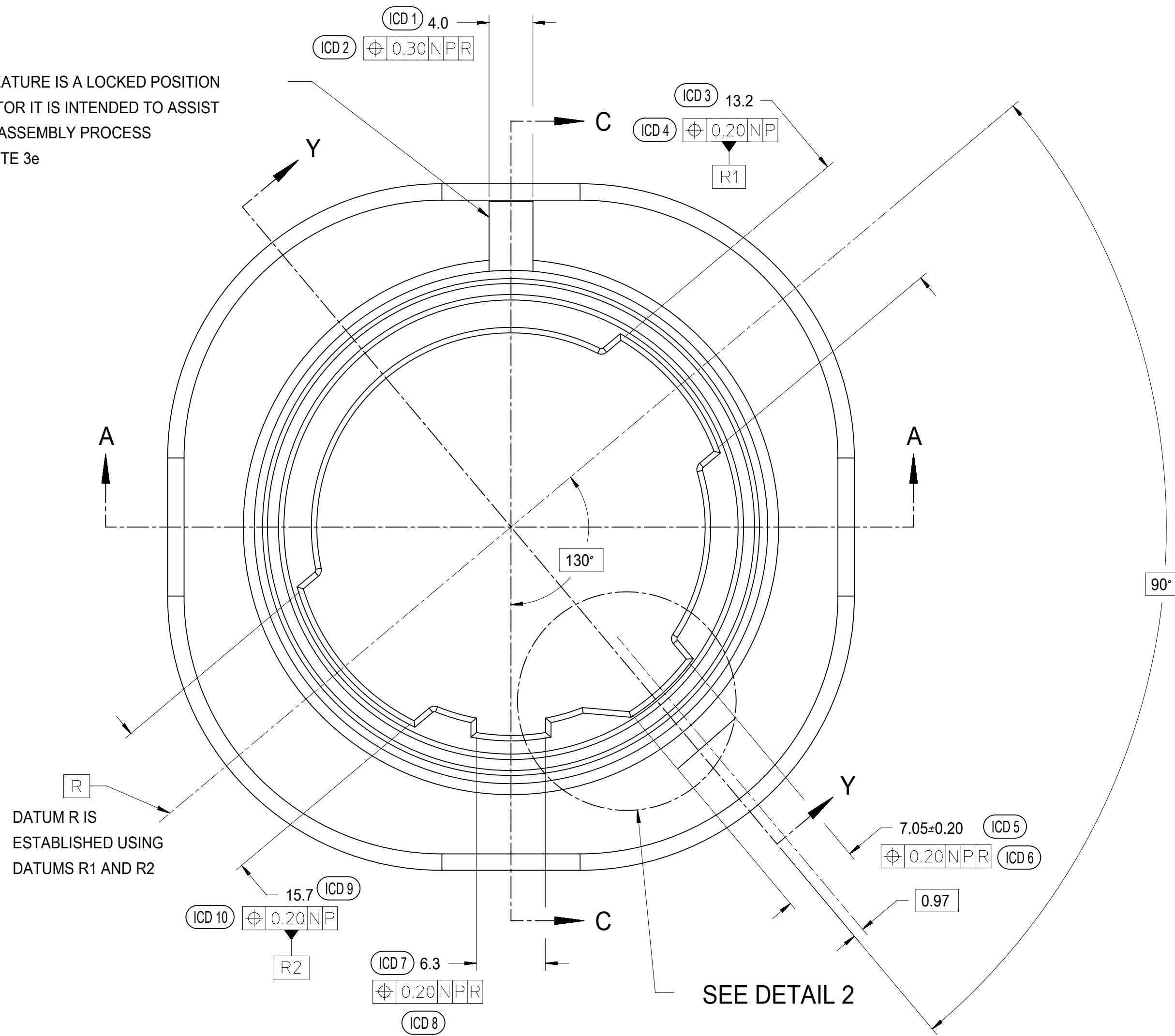


BULKHEAD INTERFACE NOTES: VALID UNLESS OTHERWISE SPECIFIED

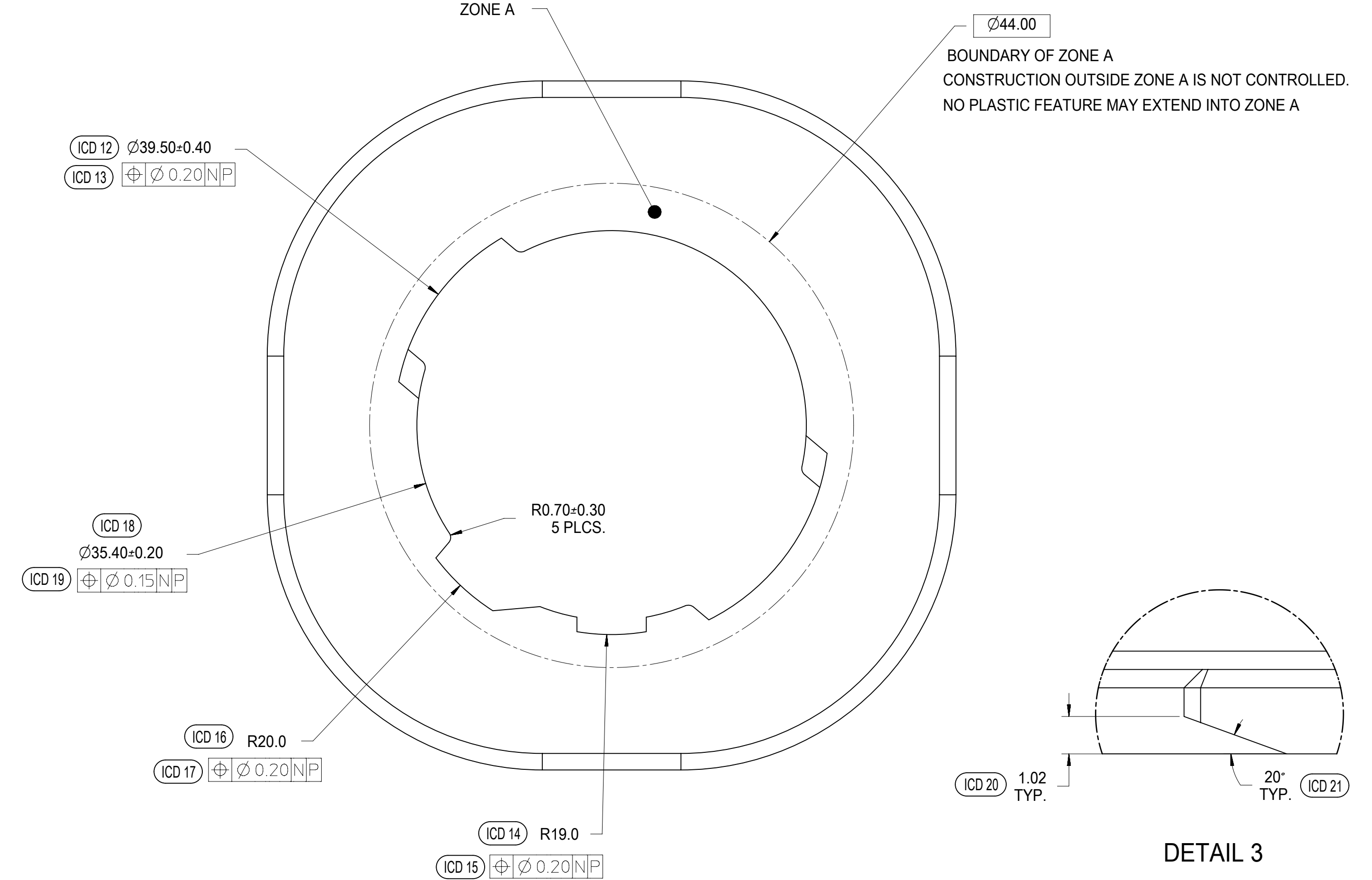
1. GENERAL:
  - a. DESIGNED TO MATE WITH MOLEX CONNECTOR SERIES # 34840
  - b. ALL DIMENSIONS SHOWN IN MILLIMETERS
2. MATERIALS:
  - a. MATERIAL: BLACK TALC FILLED POLYPROPYLENE PER GMP.PP.030 OR EQUIVALENT
3. GEOMETRY:
  - a. THIS IS A 100% CAD GENERATED PART. THE CAD MATHEMATICAL DATA IS THE MASTER FOR THIS PART. FOR DIMENSIONAL OR ANY INFORMATION NOT SHOWN ON THIS DRAWING, ANALYZE THE CAD MODEL.
  - b. GEOMETRIC DIMENSIONS AND TOLERANCES PER ASME Y14.5M - 2009
  - c. GENERAL TOLERANCES: SEE TITLE BLOCK
  - d. EDGES AND UNDIMENSIONED DETAILS PER ISO13715
  - e. LOCKED POSITION INDICATOR IS INTENDED TO BE A VISUAL AID TO ENSURE THE BULKHEAD CONNECTOR IS IN THE LOCKED POSITION THE BULKHEAD CONNECTOR HAS A CORRESPONDING FEATURE THAT WILL ALIGN WITH THE BULKHEAD INTERFACE WHEN FULLY LOCKED
4. MANUFACTURING:
  - a. DRAFT TO BE WITHIN TOLERANCE.
    - PLUS DRAFT - INDICATES DIMENSION REPRESENTS THE SMALLEST SIZE OF A FEATURE. DRAFT WILL ADD MATERIAL.
    - MINUS DRAFT - INDICATES DIMENSION REPRESENTS THE LARGEST SIZE OF A FEATURE. DRAFT WILL REMOVE MATERIAL.
  - b. ALLOWABLE FLASH MAX 0.20 HIGH BY MAX 0.13 THICK.
  - c. NO PARTING LINES, MISMATCHES OR EJECTOR MARKS PERMISSIBLE WITHIN SEALING SURFACE. SEALING SURFACE TOOLING TO BE PROCESSED TO A SURFACE FINISH OF NTMA #70 (400 PAPER) MINIMUM
  - d. NO EXTERNAL MOLD RELEASE AGENT ALLOWED DURING MANUFACTURING.

SYMBOLS	THIS DRAWING CONTAINS INFORMATION THAT IS PROPRIETARY TO MOLEX ELECTRONIC TECHNOLOGIES, LLC AND SHOULD NOT BE USED WITHOUT WRITTEN PERMISSION		
	DIMENSION UNITS	SCALE	CURRENT REV DESC: ????????????????
= 0	mm	2:1	EC NO: 176779 DRWN: WKHE 2018/05/08 CHK'D: MVANSLAMBROU 2018/05/18 APPR: MVANSLAMBROU 2018/05/18
= 0	GENERAL TOLERANCES (UNLESS SPECIFIED)		
= 0	ANGULAR TOL	± 3.0°	INITIAL REVISION: DRWN: MVANSLAMBROU 2010/10/01 APPR: VKOSHY 2010/10/05
= 0	4 PLACES	±	
= 0	3 PLACES	±	DOCUMENT NUMBER: SD-34840-001 DOC TYPE: PSD DOC PART: 001 REVISION: B6
= 0	2 PLACES	± 0.1	
= 0	1 PLACE	± 0.2	MATERIAL NUMBER: SEE TABLE CUSTOMER: GENERAL MARKET SHEET NUMBER: 7 OF 10
= 0	0 PLACES	±	
= 0	DRAFT WHERE APPLICABLE MUST REMAIN WITHIN DIMENSIONS	THIRD ANGLE PROJECTION	DRAWING: D-SIZE SERIES: 34840

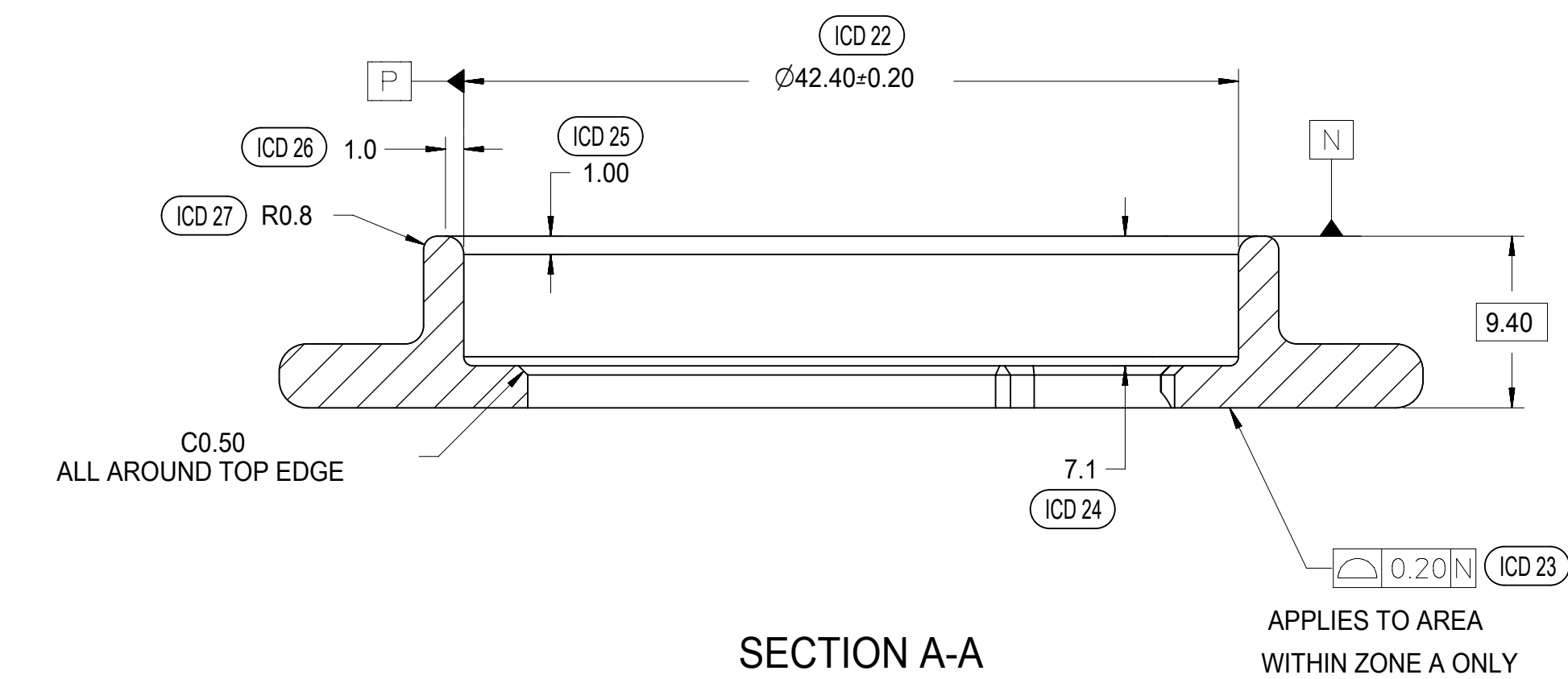
THIS FEATURE IS A LOCKED POSITION INDICATOR IT IS INTENDED TO ASSIST IN THE ASSEMBLY PROCESS SEE NOTE 3e



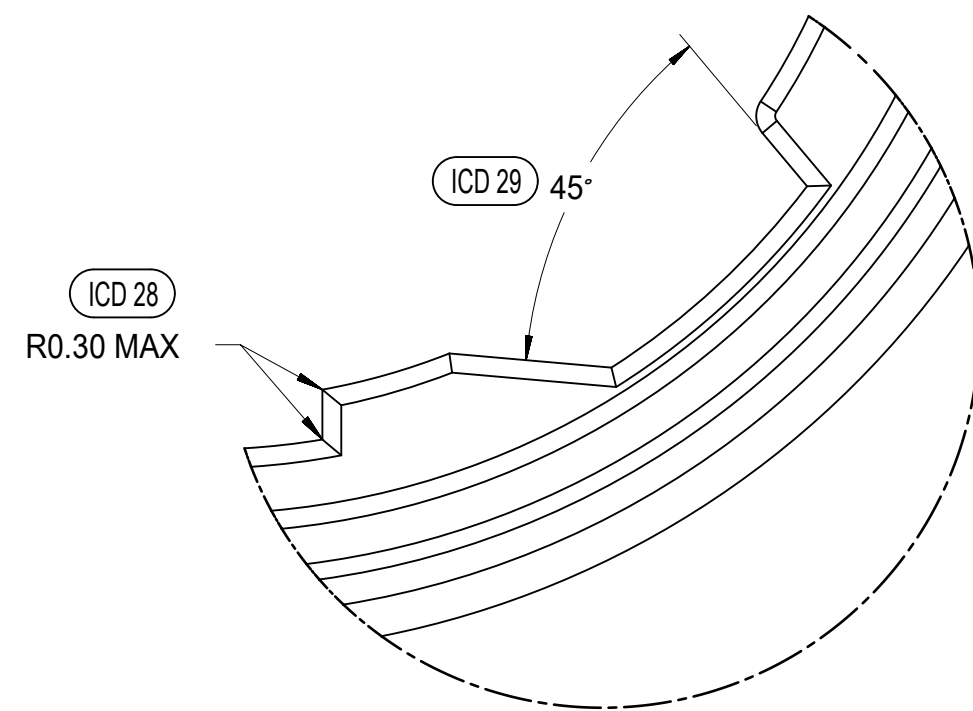
SECTION C-C



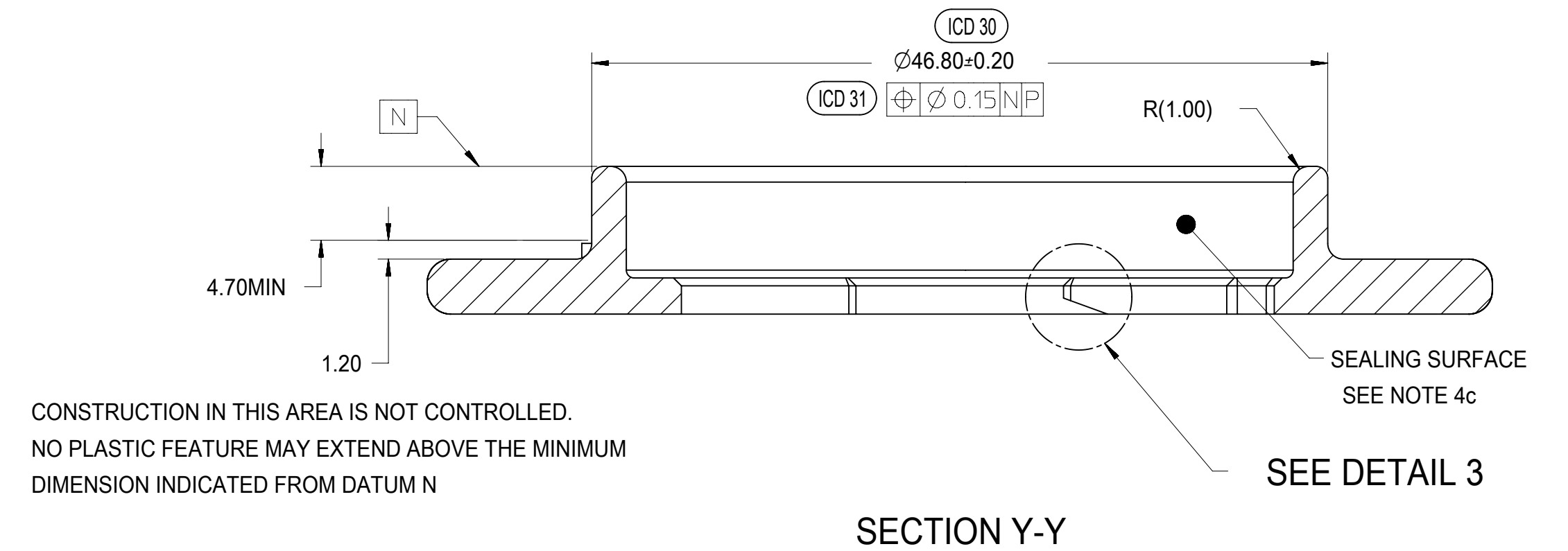
DETAIL 3 SCALE 10:1



SECTION A-A



DETAIL 2 SCALE 5:1



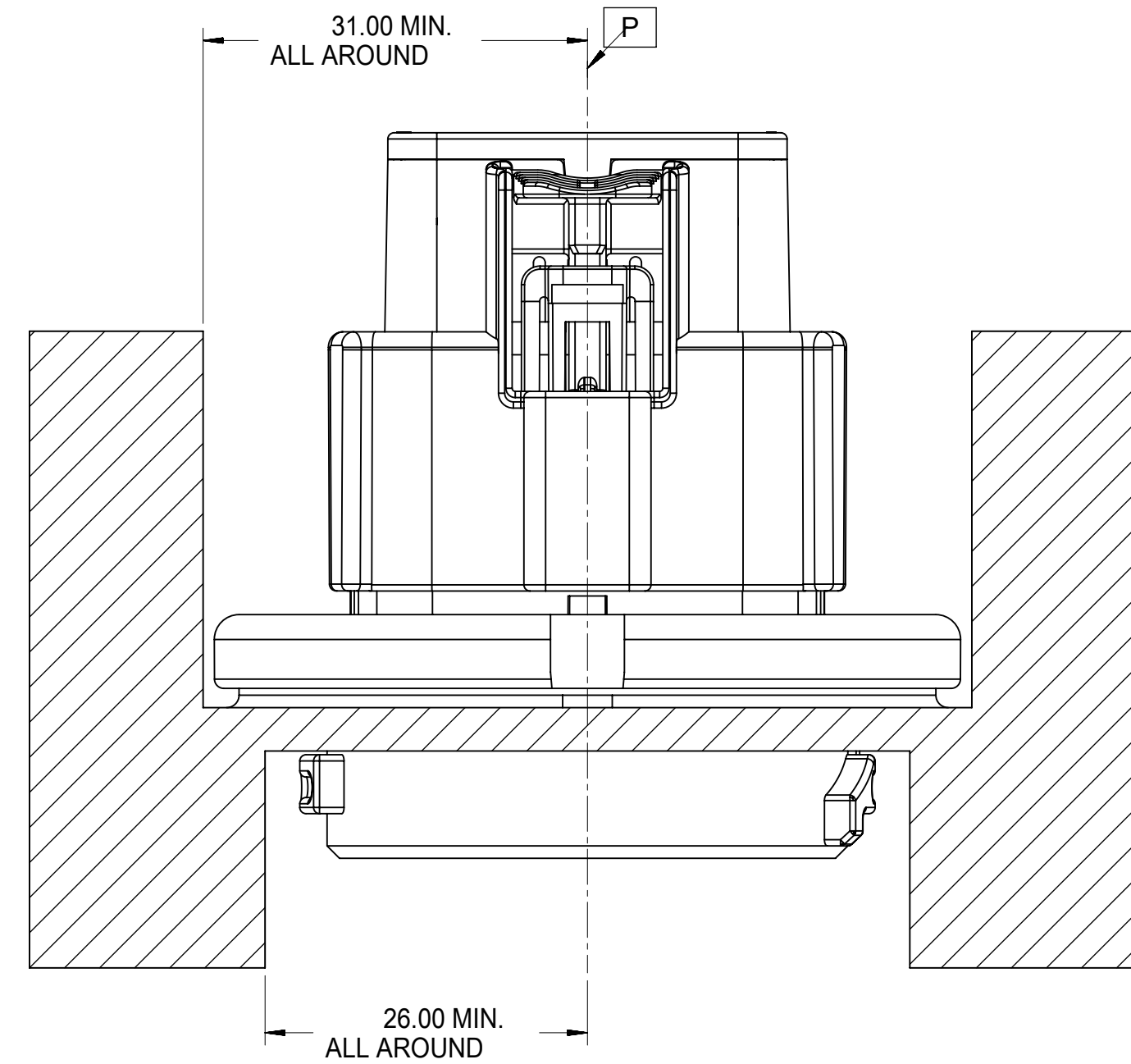
SECTION Y-Y

CONSTRUCTION IN THIS AREA IS NOT CONTROLLED. NO PLASTIC FEATURE MAY EXTEND ABOVE THE MINIMUM DIMENSION INDICATED FROM DATUM N

SYMBOLS		THIS DRAWING CONTAINS INFORMATION THAT IS PROPRIETARY TO MOLEX ELECTRONIC TECHNOLOGIES, LLC AND SHOULD NOT BE USED WITHOUT WRITTEN PERMISSION	
$\nabla = 0$	mm	SCALE	2:1
$\nabla = 0$	GENERAL TOLERANCES (UNLESS SPECIFIED)		
$\nabla = 0$	ANGULAR TOL	$\pm$	3.0°
$\nabla = 0$	4 PLACES	$\pm$	
$\nabla = 0$	3 PLACES	$\pm$	
$\nabla = 0$	2 PLACES	$\pm$	0.1
$\nabla = 0$	1 PLACE	$\pm$	0.2
$\nabla = 0$	0 PLACES	$\pm$	
$\nabla = 0$	DRAFT WHERE APPLICABLE MUST REMAIN WITHIN DIMENSIONS		
$\nabla = 0$	THIRD ANGLE PROJECTION	DRAWING	SERIES
$\nabla = 0$		D-SIZE	34840
CURRENT REV DESC: ??????????????		EC NO: 176779	
		DRWN: WKHE 2018/05/08	
		CHK'D: MVANSLAMBROU 2018/05/18	
		APPR: MVANSLAMBROU 2018/05/18	
		INITIAL REVISION:	
		DRWN: MVANSLAMBROU 2010/10/01	
		APPR: VKOSHY 2010/10/05	
DOCUMENT NUMBER		DOC TYPE	DOC PART
SD-34840-001		PSD	001
REVISION		B6	
MATERIAL NUMBER		CUSTOMER	SHEET NUMBER
SEE TABLE		GENERAL MARKET	8 OF 10



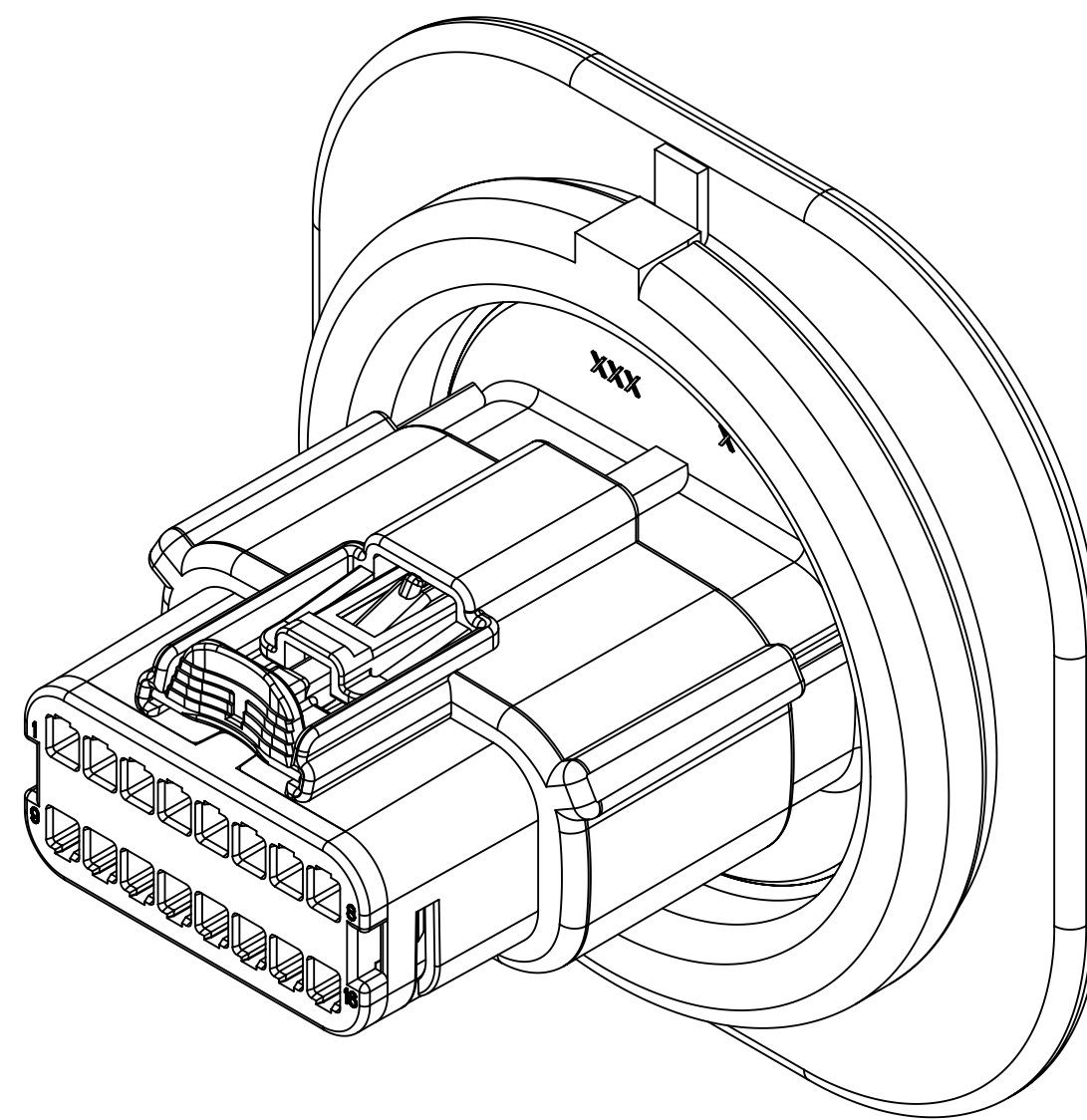
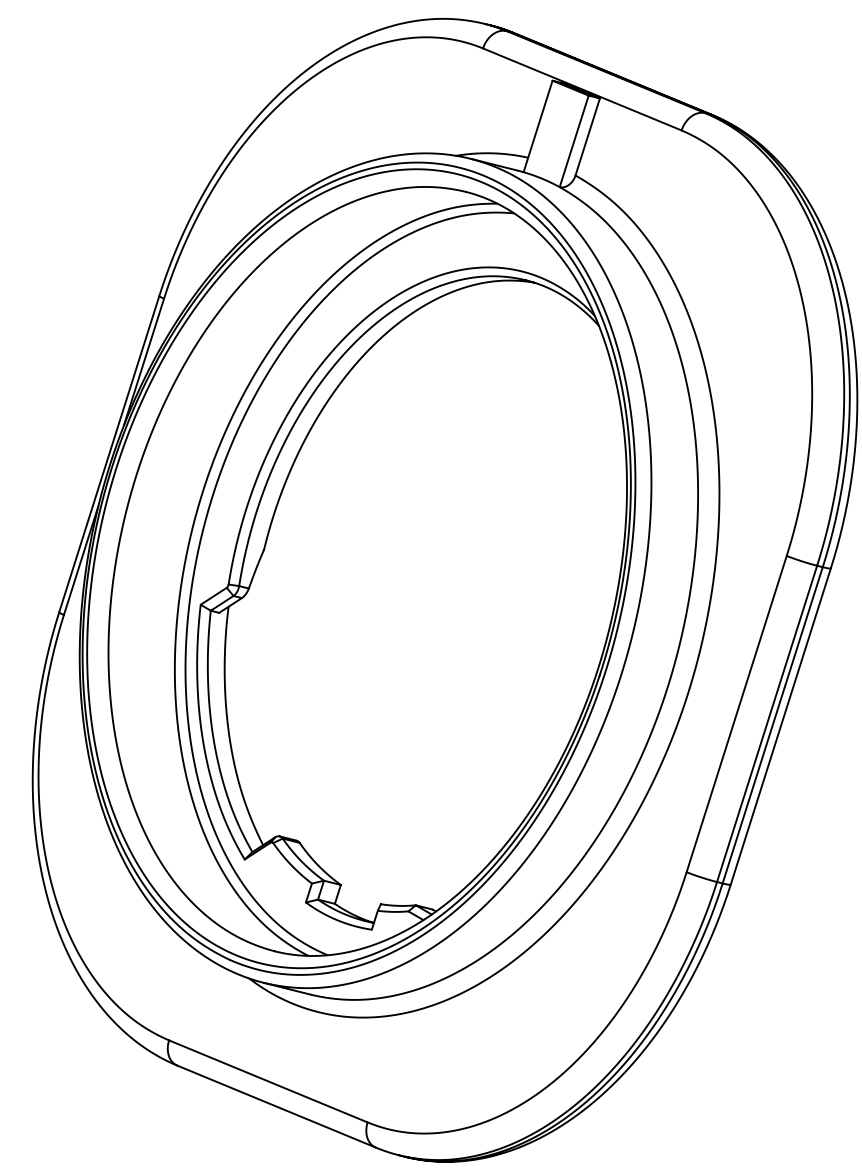
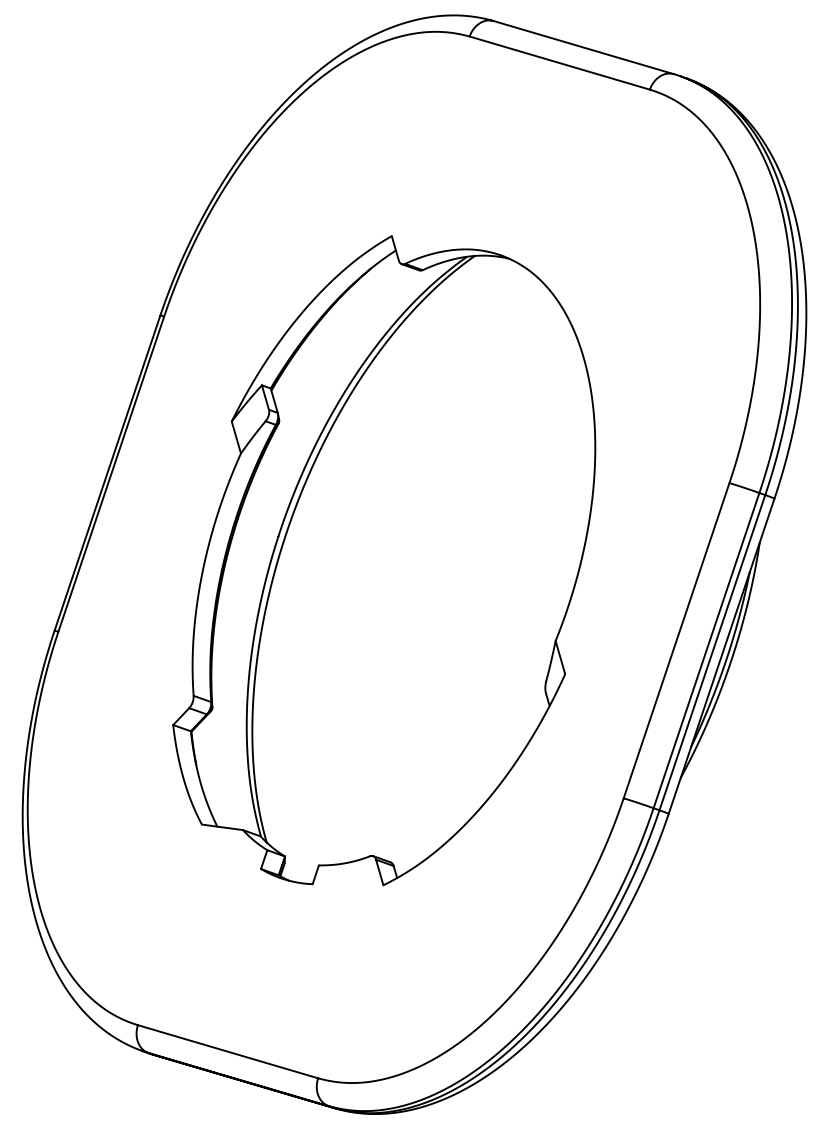
IF BULKHEAD INTERFACE IS RECESSED INTO A POCKET, THESE DIMENSIONS REPRESENT THE MINIMUM CLEARANCE REQUIRED FOR THE MATING HARNESS AND BULKHEAD CONNECTOR SHROUDS.



PACKAGING FRAME

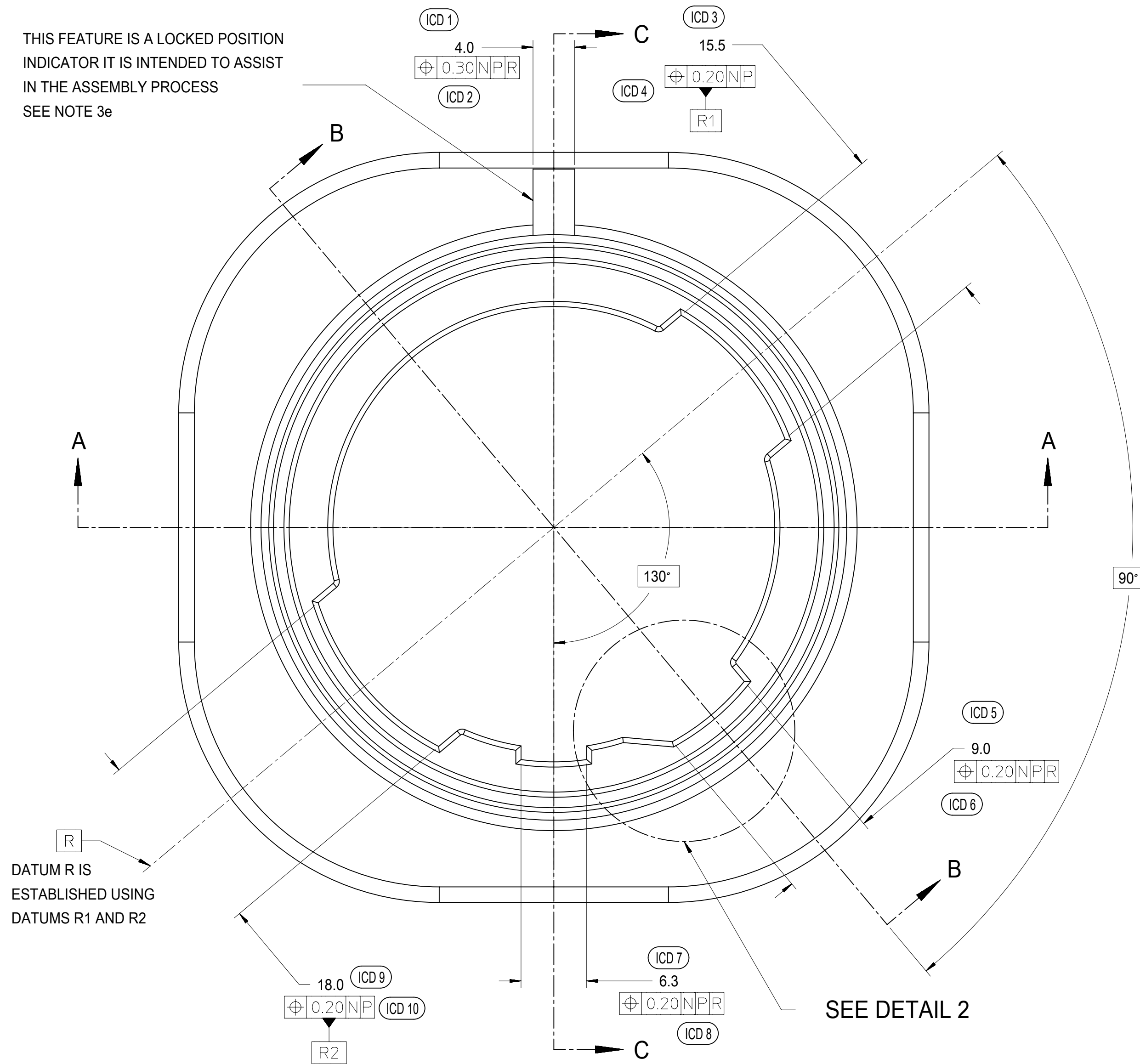
BULKHEAD INTERFACE NOTES: VALID UNLESS OTHERWISE SPECIFIED

1. GENERAL:
  - a. DESIGNED TO MATE WITH MOLEX CONNECTOR SERIES # 34840
  - b. ALL DIMENSIONS SHOWN IN MILLIMETERS
2. MATERIALS:
  - a. MATERIAL: BLACK TALC FILLED POLYPROPYLENE PER GMP.PP.030 OR EQUIVALENT
3. GEOMETRY:
  - a. THIS IS A 100% CAD GENERATED PART. THE CAD MATHEMATICAL DATA IS THE MASTER FOR THIS PART. FOR DIMENSIONAL OR ANY INFORMATION NOT SHOWN ON THIS DRAWING, ANALYZE THE CAD MODEL.
  - b. GEOMETRIC DIMENSIONS AND TOLERANCES PER ASME Y14.5M - 2009
  - c. GENERAL TOLERANCES: SEE TITLE BLOCK
  - d. EDGES AND UNDIMENSIONED DETAILS PER ISO13715
  - e. LOCKED POSITION INDICATOR IS INTENDED TO BE A VISUAL AID TO ENSURE THE BULKHEAD CONNECTOR IS IN THE LOCKED POSITION THE BULKHEAD CONNECTOR HAS A CORRESPONDING FEATURE THAT WILL ALIGN WITH THE BULKHEAD INTERFACE WHEN FULLY LOCKED
4. MANUFACTURING:
  - a. DRAFT TO BE WITHIN TOLERANCE.
    - PLUS DRAFT - INDICATES DIMENSION REPRESENTS THE SMALLEST SIZE OF A FEATURE. DRAFT WILL ADD MATERIAL.
    - MINUS DRAFT - INDICATES DIMENSION REPRESENTS THE LARGEST SIZE OF A FEATURE. DRAFT WILL REMOVE MATERIAL.
  - b. ALLOWABLE FLASH MAX 0.20 HIGH BY MAX 0.13 THICK.
  - c. NO PARTING LINES, MISMATCHES OR EJECTOR MARKS PERMISSIBLE WITHIN SEALING SURFACE. SEALING SURFACE TOOLING TO BE PROCESSED TO A SURFACE FINISH OF NTMA #70 (400 PAPER) MINIMUM
  - d. NO EXTERNAL MOLD RELEASE AGENT ALLOWED DURING MANUFACTURING.



SYMBOLS										THIS DRAWING CONTAINS INFORMATION THAT IS PROPRIETARY TO MOLEX ELECTRONIC TECHNOLOGIES, LLC AND SHOULD NOT BE USED WITHOUT WRITTEN PERMISSION																	
DIMENSION UNITS					SCALE					CURRENT REV DESC: ????????????????																	
= 0 mm					2:1					<p style="text-align: center;"><b>molex</b></p> <p style="text-align: center;">MX150 DUAL ROW BULKHEAD TWIST-LOCK CONNECTOR ASSEMBLY</p> <p style="text-align: center;">PRODUCT CUSTOMER DRAWING</p> <table border="1" style="width: 100%;"> <tr> <td>DOCUMENT NUMBER</td> <td>DOC TYPE</td> <td>DOC PART</td> <td>REVISION</td> </tr> <tr> <td style="text-align: center;">SD-34840-001</td> <td style="text-align: center;">PSD</td> <td style="text-align: center;">001</td> <td style="text-align: center;">B6</td> </tr> </table>										DOCUMENT NUMBER	DOC TYPE	DOC PART	REVISION	SD-34840-001	PSD	001	B6
DOCUMENT NUMBER	DOC TYPE	DOC PART	REVISION																								
SD-34840-001	PSD	001	B6																								
GENERAL TOLERANCES (UNLESS SPECIFIED)					EC NO: 176779																						
ANGULAR TOL ± 3.0°					DRWN: WKHE 2018/05/08																						
4 PLACES ±					CHK'D: MVANSLAMBROU 2018/05/18																						
3 PLACES ±					APPR: MVANSLAMBROU 2018/05/18																						
2 PLACES ± 0.1					INITIAL REVISION:																						
1 PLACE ± 0.2					DRWN: MVANSLAMBROU 2010/10/01																						
0 PLACES ±					APPR: VKOSHY 2010/10/05																						
DRAFT WHERE APPLICABLE MUST REMAIN WITHIN DIMENSIONS					THIRD ANGLE PROJECTION					DRAWING SERIES																	
					D-SIZE 34840					MATERIAL NUMBER CUSTOMER SHEET NUMBER																	
										SEE TABLE GENERAL MARKET 9 OF 10																	

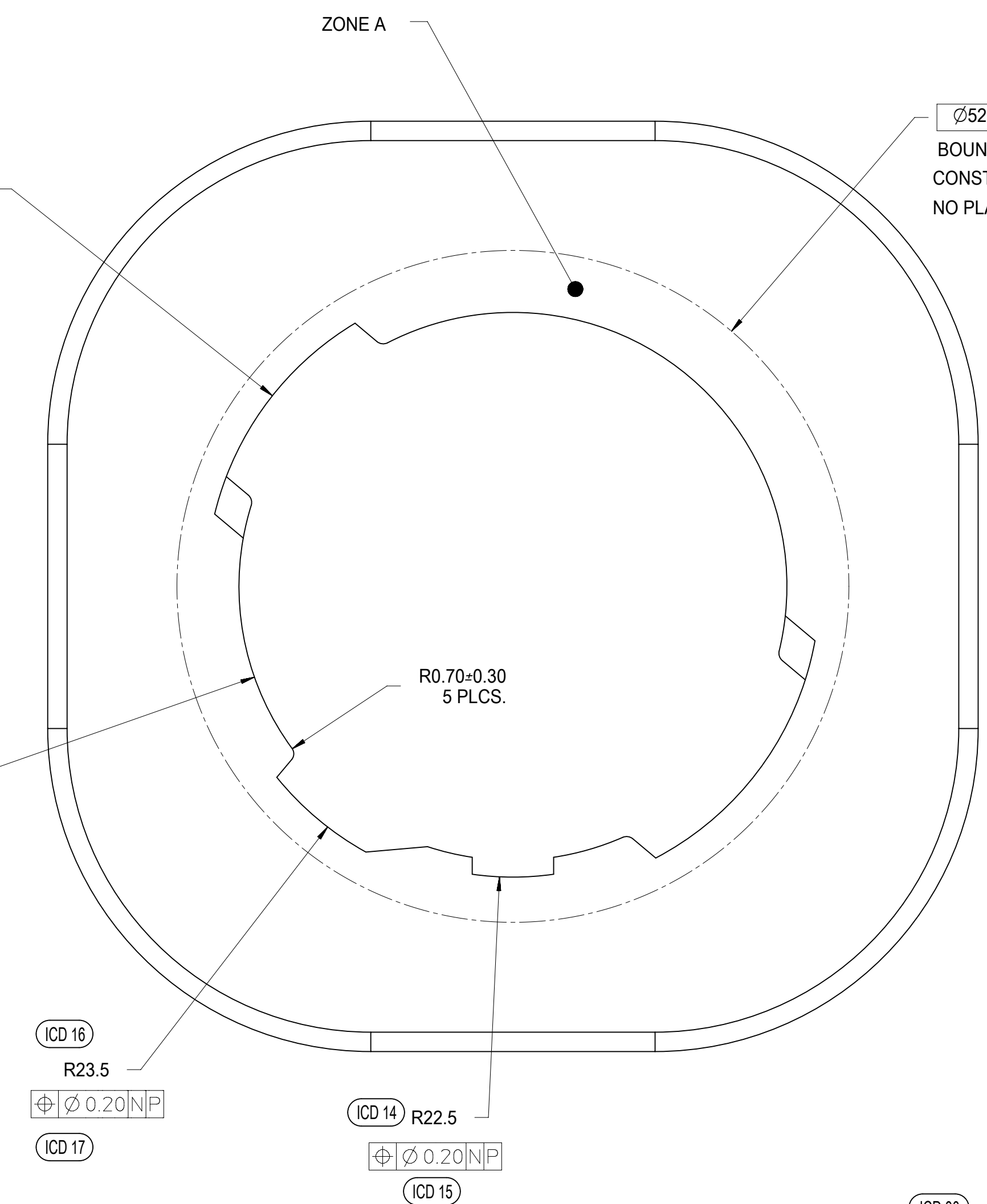
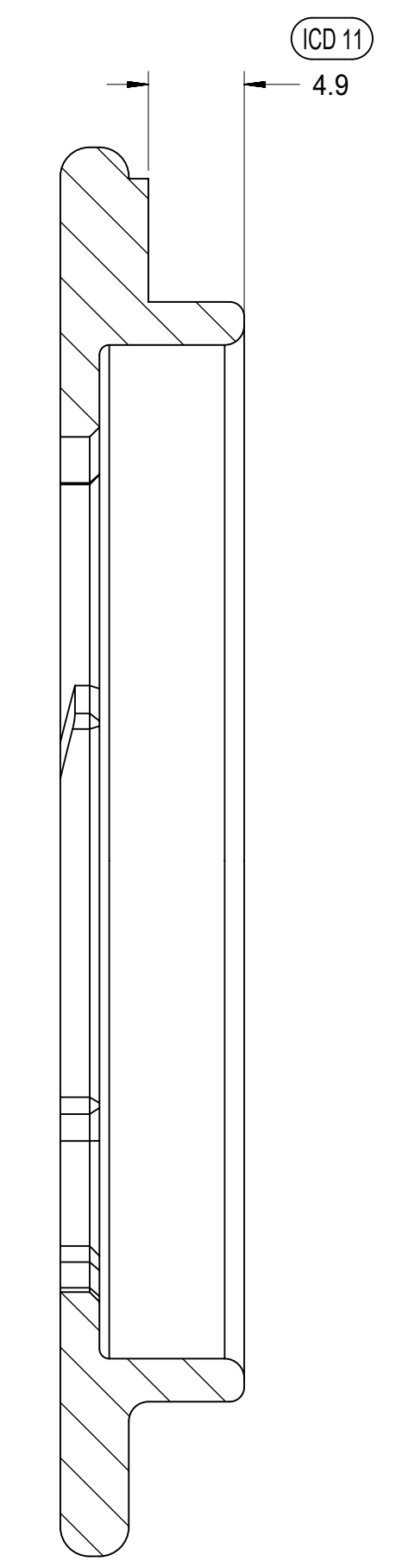
THIS FEATURE IS A LOCKED POSITION INDICATOR IT IS INTENDED TO ASSIST IN THE ASSEMBLY PROCESS SEE NOTE 3e



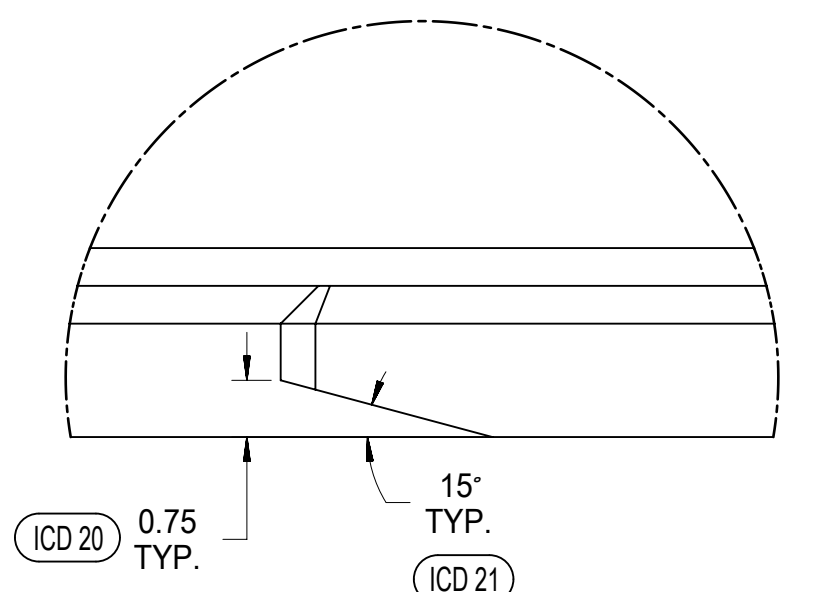
DATUM R IS ESTABLISHED USING DATUMS R1 AND R2

SEE DETAIL 2

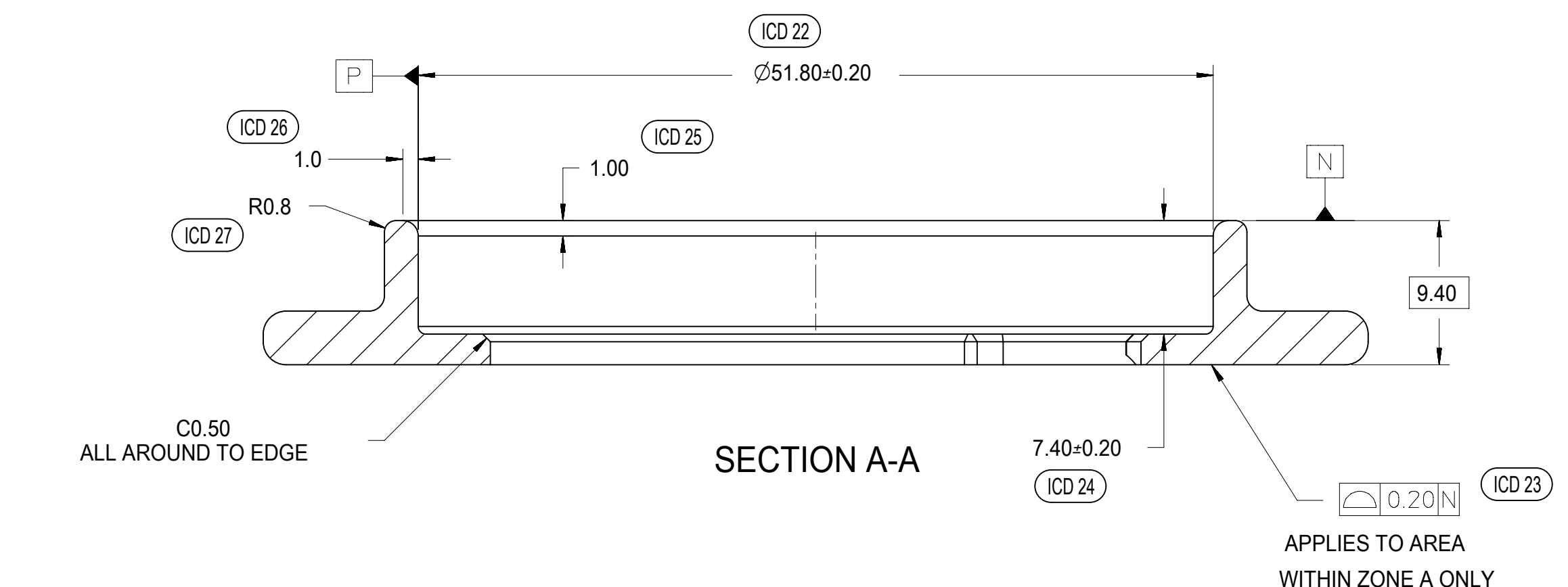
SECTION C-C



Ø52.00  
BOUNDARY OF ZONE A  
CONSTRUCTION OUTSIDE ZONE A IS NOT CONTROLLED.  
NO PLASTIC FEATURE MAY EXTEND INTO ZONE A

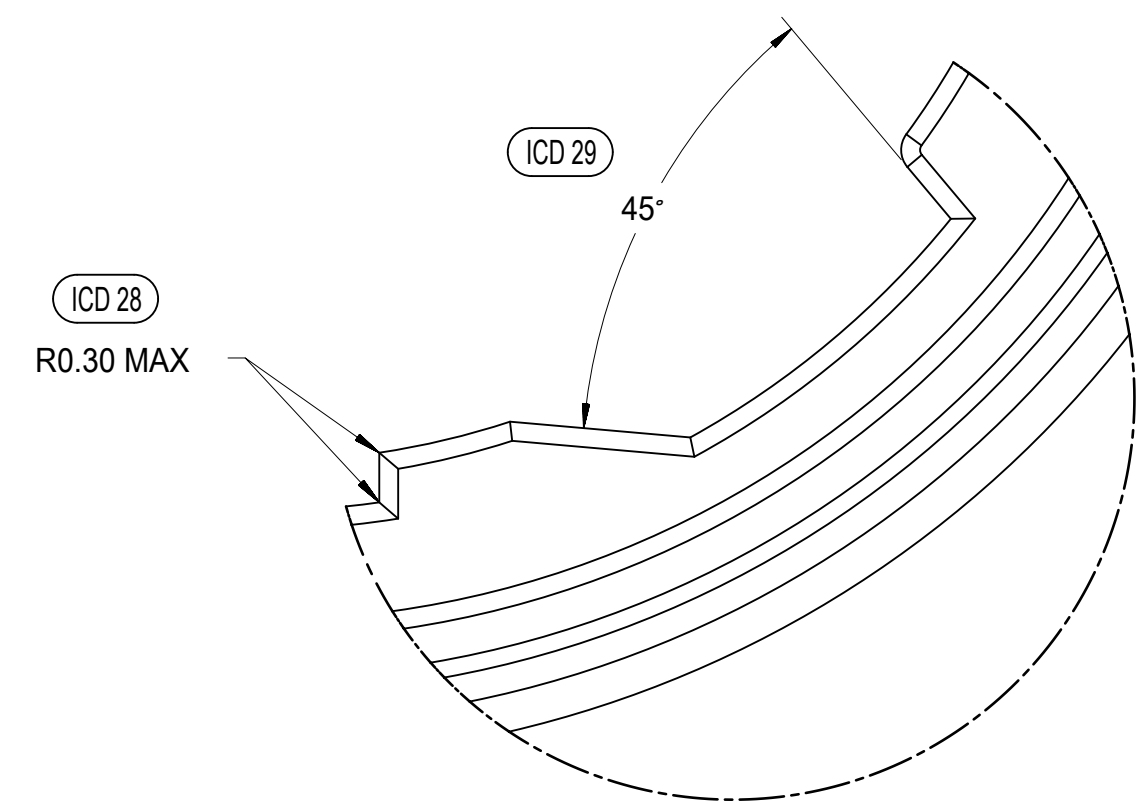


DETAIL 1  
SCALE 10:1

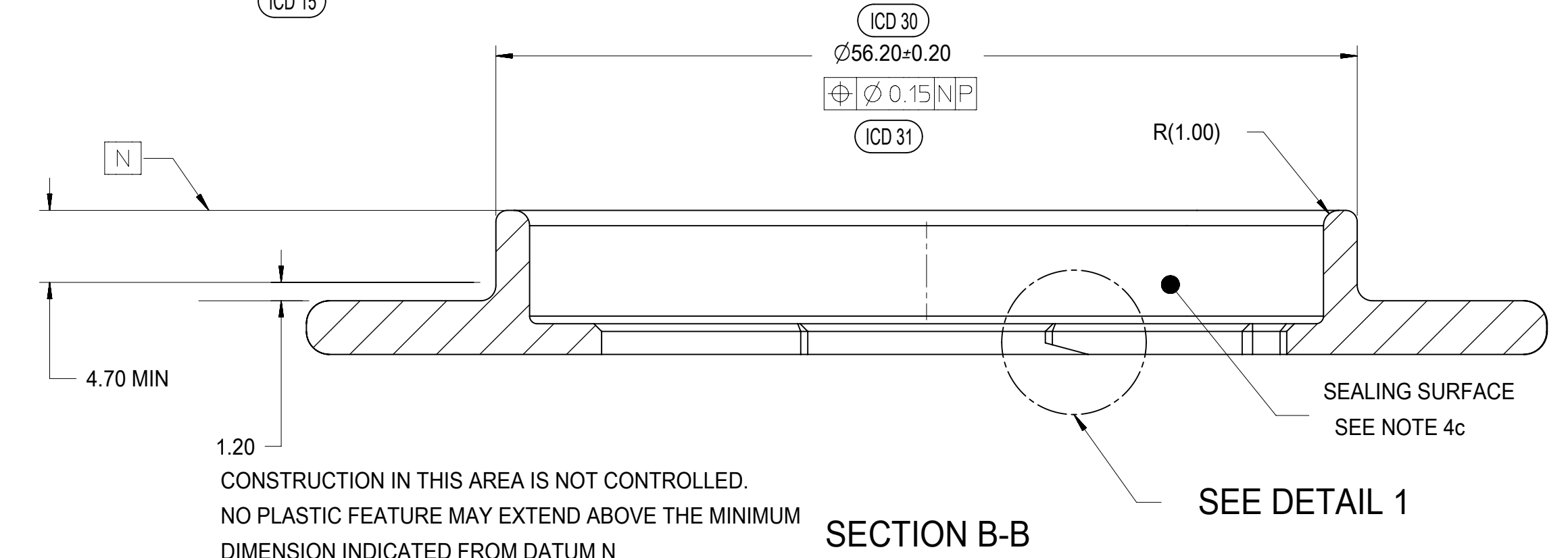


SECTION A-A

APPLIES TO AREA WITHIN ZONE A ONLY



DETAIL 2  
SCALE 5:1



SECTION B-B

SEE DETAIL 1

SYMBOLS		THIS DRAWING CONTAINS INFORMATION THAT IS PROPRIETARY TO MOLEX ELECTRONIC TECHNOLOGIES, LLC AND SHOULD NOT BE USED WITHOUT WRITTEN PERMISSION	
▽ = 0	DIMENSION UNITS	SCALE	CURRENT REV DESC: ??????????????
▽ = 0	mm	2:1	
▽ = 0	GENERAL TOLERANCES (UNLESS SPECIFIED)		
▽ = 0	ANGULAR TOL	± 3.0°	EC NO: 176779
▽ = 0	4 PLACES	±	DRWN: WKHE 2018/05/08
▽ = 0	3 PLACES	±	CHK'D: MVANSLAMBROU 2018/05/18
▽ = 0	2 PLACES	± 0.1	APPR: MVANSLAMBROU 2018/05/18
▽ = 0	1 PLACE	± 0.2	INITIAL REVISION:
▽ = 0	0 PLACES	±	DRWN: MVANSLAMBROU 2010/10/01
▽ = 0	DRAFT WHERE APPLICABLE MUST REMAIN WITHIN DIMENSIONS		2010/10/05
▽ = 0	THIRD ANGLE PROJECTION	DRAWING	SERIES
		D-SIZE	34840
DOCUMENT STATUS		P1	RELEASE DATE
2018/05/18		13:23:51	
DOCUMENT NUMBER		DOC TYPE	DOC PART
SD-34840-001		PSD	001
MATERIAL NUMBER		CUSTOMER	SHEET NUMBER
SEE TABLE		GENERAL MARKET	10 OF 10

**molex**

MX150 DUAL ROW  
BULKHEAD TWIST-LOCK CONNECTOR ASSEMBLY

PRODUCT CUSTOMER DRAWING

DOCUMENT NUMBER: SD-34840-001  
DOC TYPE: PSD  
DOC PART: 001  
REVISION: B6