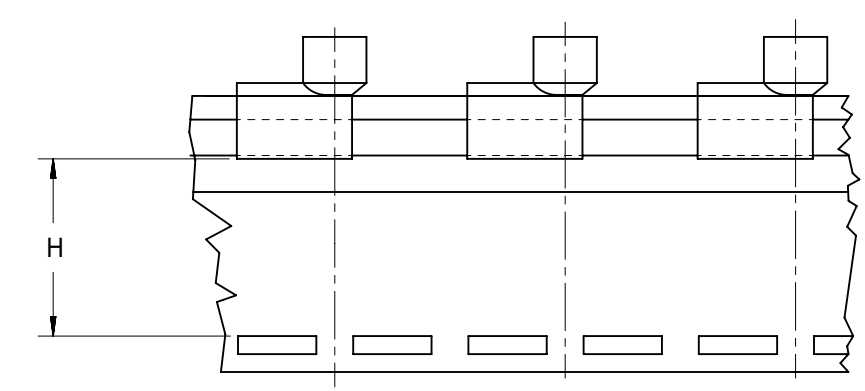
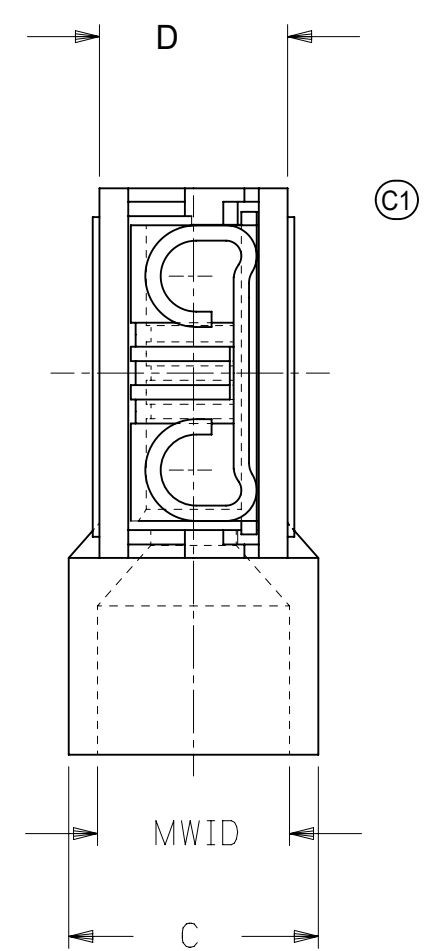
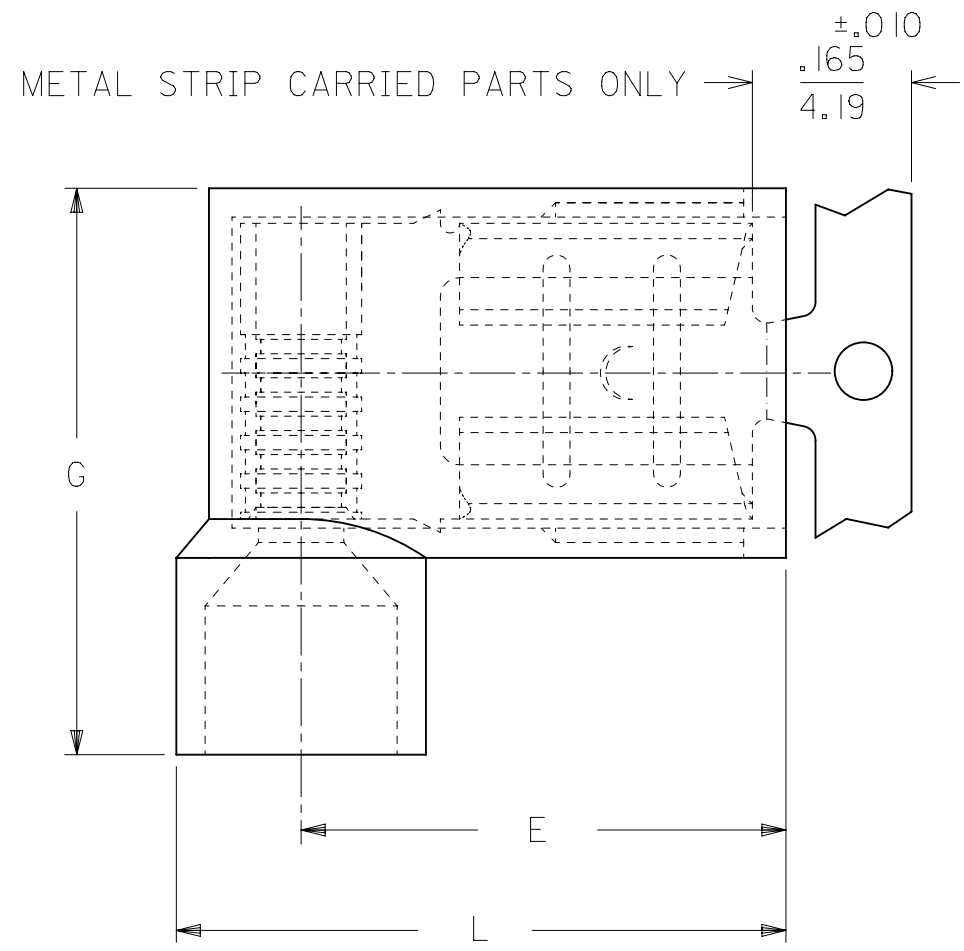


LOOSE PIECE		METAL STRIP CARRIED		MYLAR TAPE CARRIED		FEATURES			DIMENSIONS						
MATERIAL NUMBER	ENGINEERING NUMBER	MATERIAL NUMBER	ENGINEERING NUMBER	MATERIAL NUMBER	ENGINEERING NUMBER	AWG	COLOR	FITS TAB SIZE	MWID	L ± $\frac{.015}{0.38}$	G ± $\frac{.015}{0.38}$	E ± $\frac{.015}{0.38}$	C ± $\frac{.015}{0.38}$	D ± $\frac{.015}{0.38}$	H ± $\frac{.02}{0.5}$
190070001	AA-2220	190070008	AA-2220Z	190070004	AA-2220T	22-18	RED	.250x.032/6.35x0.81	.176/4.47	.630/16.00	.585/14.86	.512/13.00	.236/5.99	.197/5.00	.93/23.6
190070021	BB-2221	190070028	BB-2221Z	190070024	BB-2221T	16-14	BLUE	.250x.032/6.35x0.81	.200/5.08	.630/16.00	.585/14.86	.500/12.70	.260/6.60	.197/5.00	.93/23.6
190070040	C-2211	190070041	C-2211Z	190070053	C-2211T	12-10	YELLOW	.250x.032/6.35x0.81	.260/6.60	.667/16.93	.677/17.20	.511/12.98	.311/7.90	.246/6.25	.97/24.6



PARTS ON TAPE

- NOTES:
1. MWID = MAX. WIRE INSULATION DIA.
  2. ALL DIMENSIONS = INCHES/MM
  3. MATERIAL:  
HOUSING: NYLON  
TERMINAL: TIN PLATED BRASS
  4. ASSEMBLY IS ROHS COMPLIANT.

PRE-RELEASE  
REFERENCE  
USE ONLY

THIS DRAWING CONTAINS INFORMATION THAT IS PROPRIETARY TO MOLEX ELECTRONIC TECHNOLOGIES, LLC AND SHOULD NOT BE USED WITHOUT WRITTEN PERMISSION											
DIMENSION UNITS <b>INCH/MM</b>		SCALE <b>5:1</b>		CURRENT REV DESC: OBSOLETE PART NUMBERS AS PER PCN#508521						<b>molex</b>	
GENERAL TOLERANCES (UNLESS SPECIFIED)				EC NO: 667388		2021/04/15		FLAG QUICK DISCONNECT, FULLY INSULATED, .250 X .032 TAB SIZE			
		MM	INCH	DRWN: SKANDB		2021/07/05					
4 PLACES ±				CHK'D: GGA		2021/07/05		PRODUCT CUSTOMER DRAWING			
3 PLACES ±			± 0.005	APPR: GGA				DOCUMENT NUMBER			
2 PLACES ±		0.13	± 0.01	INITIAL REVISION:		1989/07/26		SD-19007-004			
1 PLACE ±		0.25		DRWN: RCM		1989/07/26		PSD 001 D			
0 PLACES ±				APPR: FP		1989/07/26		REVISION			
ANGULAR TOL ±		0.5°		THIRD ANGLE PROJECTION		DRAWING		MATERIAL NUMBER			
DRAFT WHERE APPLICABLE MUST REMAIN WITHIN DIMENSIONS				B-SIZE		SERIES 19007		CUSTOMER			
								SEE TABLE			
								GENERAL MARKET			
								SHEET NUMBER			
								1 OF 1			