

ASSEMBLY P/N	NO. OF CONTACT
SF8982-9SG-5XX	(9) #26
SF8982-10SG-5XX	(10) #26
SF8982-11SG-5XX	(11) #26
SF8982-12SG-5XX	(12) #26
SF8982-13SG-5XX	(13) #26
SF8982-14SG-5XX	(14) #26
SF8982-15SG-5XX	(15) #26
SF8982-16SG-5XX	(16) #26
SF8982-17SG-5XX	(17) #26
SF8982-18SG-5XX	(18) #26

**NOTES:**

1. FINISHED ASSEMBLIES AND LOOSE PARTS BAGGED WITH AN INSTRUCTION SHEET
2. LABEL WITH CONXALL PART NUMBER, DATE CODE AND P/N BARCODE PLACED ON BAG
3. SEE DRAWING HPSFMISTD FOR HOLE PATTERNS
4. FOR FIELD INSTALLATION, SEE INSTRUCTION SHEET 2 OF 2.
5. ALL DIMENSIONS ARE REFERENCE EXCEPT THOSE WITH A TOLERANCE
6. DIMENSIONS IN BRACKETS [ ] ARE IN MILLIMETERS

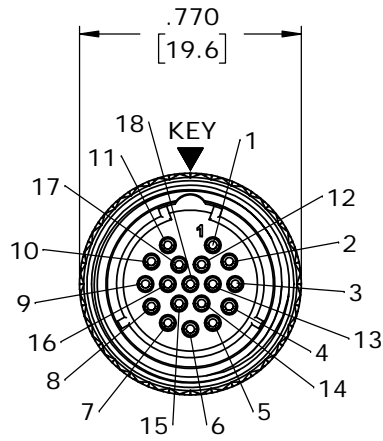
**CUSTOMER APPROVAL**

THIS DOCUMENT CONTAINS CONFIDENTIAL INFORMATION PROPRIETARY TO CONXALL CORPORATION. ANY REPRODUCTION, DISCLOSURE, OR USE OF THIS DOCUMENT /INFORMATION IS EXPRESSLY PROHIBITED UNLESS AUTHORIZED IN WRITING BY CONXALL CORPORATION.

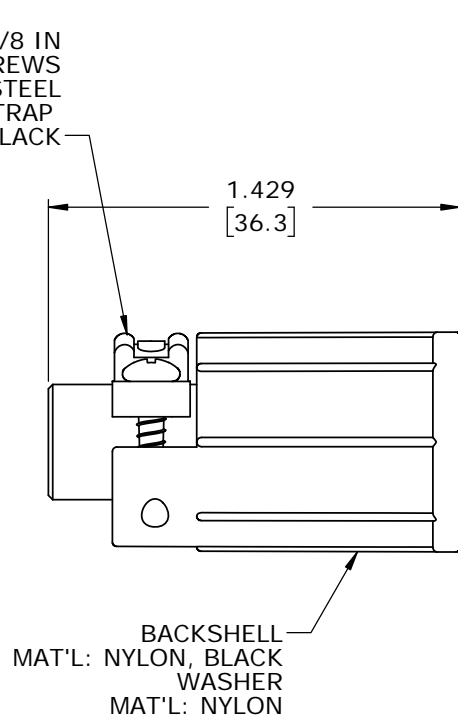
APPROVED BY: \_\_\_\_\_

DATE: \_\_\_\_\_

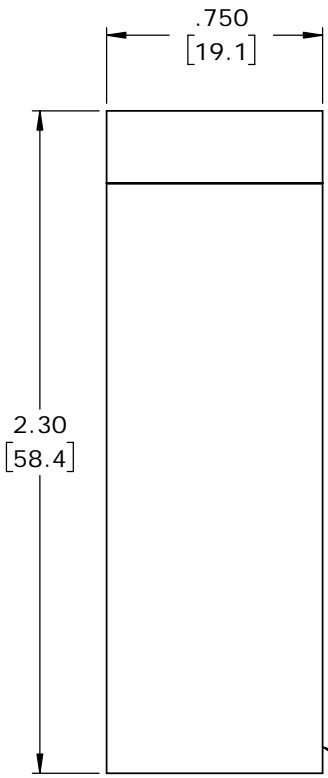
(2) #4x3/8 IN  
SELF TAPPING SCREWS  
MAT'L: STAINLESS STEEL  
CABLE STRAP  
MAT'L: NYLON, BLACK



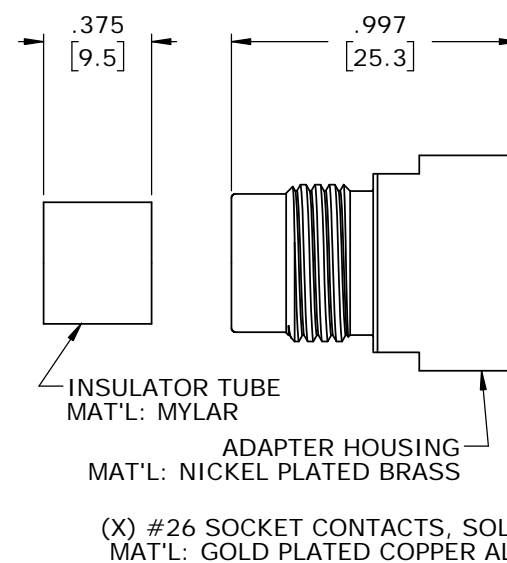
**WIRE VIEW**  
SF8982-18SG-5XX SHOWN  
WITHOUT HARDWARE



BACKSHELL  
MAT'L: NYLON, BLACK  
WASHER  
MAT'L: NYLON

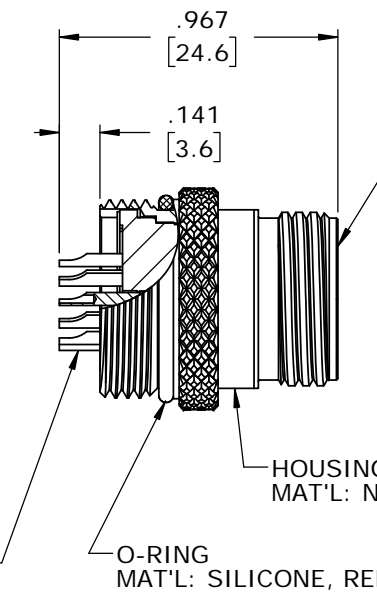


COPPER TAPE

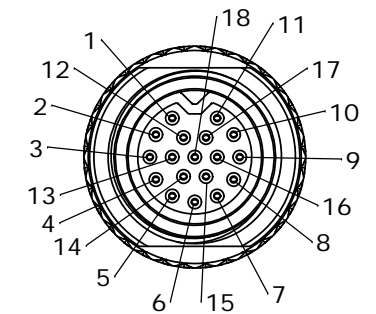


INSULATOR TUBE  
MAT'L: MYLAR  
ADAPTER HOUSING  
MAT'L: NICKEL PLATED BRASS  
(X) #26 SOCKET CONTACTS, SOLDER  
MAT'L: GOLD PLATED COPPER ALLOY

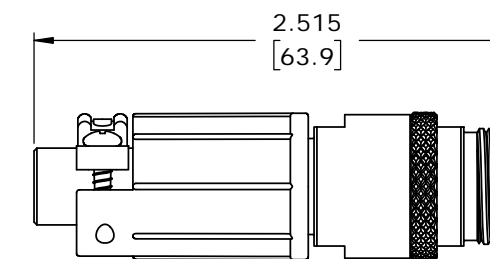
520 = BACKSHELL WITH Ø.220 [5.6] GROMMET I.D.  
530 = BACKSHELL WITH Ø.330 [8.4] GROMMET I.D.



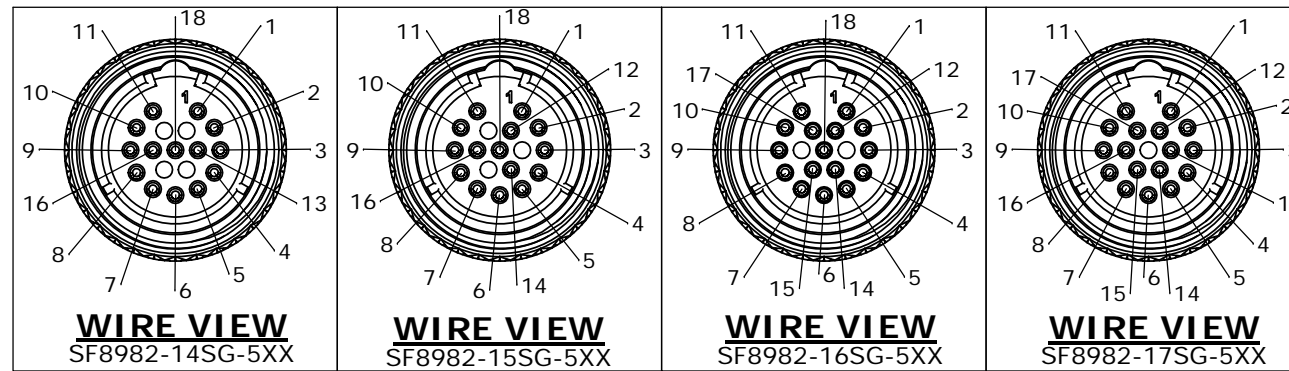
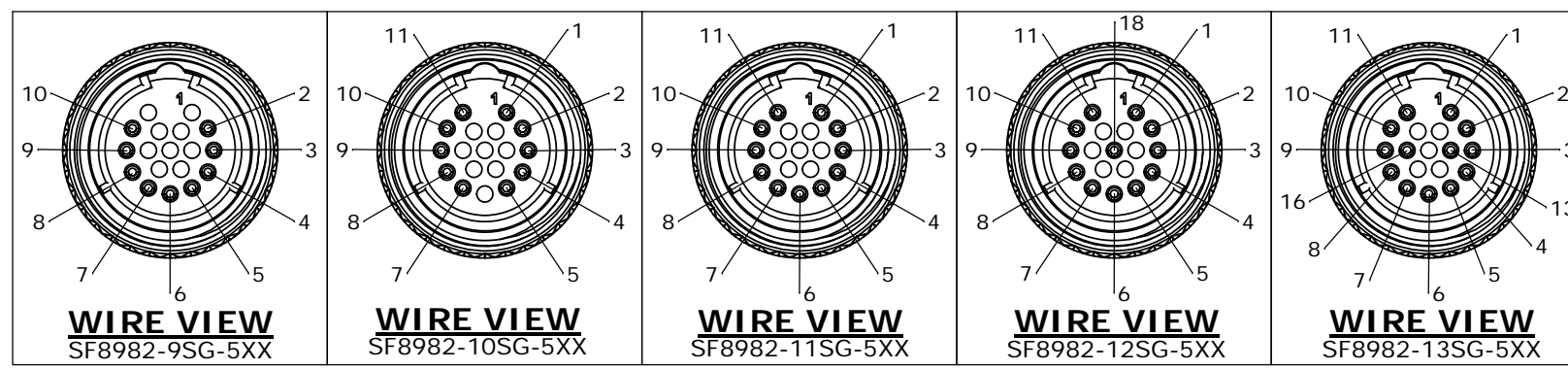
INSERT  
MAT'L: PBT, BLACK  
HOUSING  
MAT'L: NICKEL PLATED BRASS  
O-RING  
MAT'L: SILICONE, RED



**FACE VIEW**  
SF8982-18SG-5XX  
SHOWN



**ASSEMBLED VIEW**  
FOR CUSTOMER REFERENCE

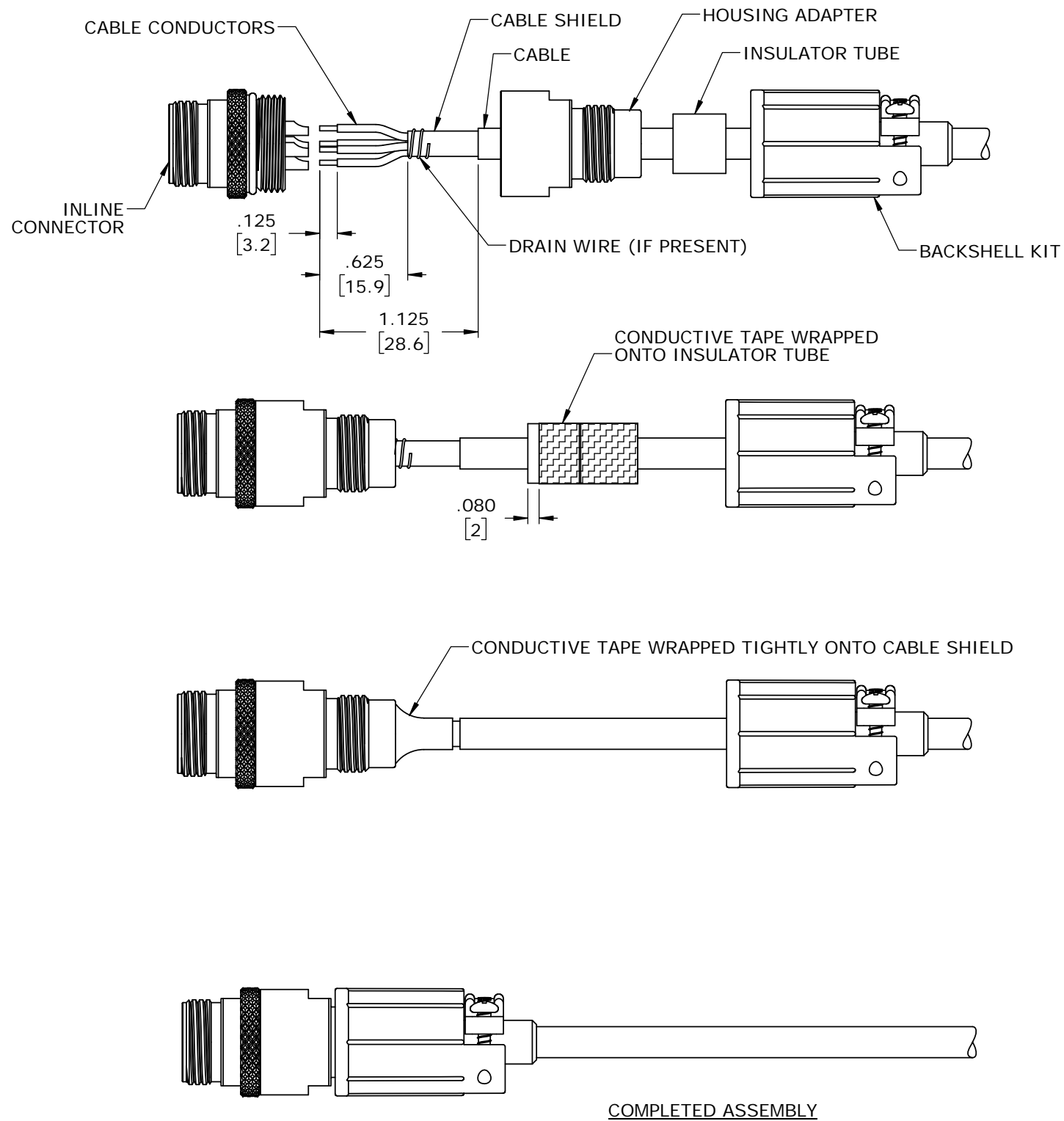


MA	02-01-19	RELEASED PER PDR 17011
A	PNK	9-28-18
	PNK	1-30-18
REV.	INIT.	DATE
ALL INFORMATION ILLUSTRATED IS THE PROPERTY OF "CONXALL CORPORATION". UNAUTHORIZED DUPLICATION OR DISTRIBUTION OF THIS DOCUMENT IS PROHIBITED.		ORIG. DRAWN BY: PNK
ALL UNITS ARE IN FEET, INCHES, FRACTION OF INCHES AND DECIMALS. UNLESS OTHERWISE SPECIFIED TOLERANCES: 3 PLACE DECIMALS ±.005 ANGLES ±1° FRACTIONS ±1/16		DATE: 1-30-18
- CRITICAL CHARACTERISTIC FLAG PER SPEC. XXXX		CHECKED BY:
APPROVED BY:		TITLE: CABLE-TO-CABLE ASSEMBLY (9-18) #26 SOCKET CONTACTS, SOLDER SHIELDED MINI-CON-X STANDARD PRODUCT
SCALE: NTS	SIZE: B	SHEET: 1 OF 2
FILE: SF8982-XSG-5XX	DIRECTORY: SLW	CUSTOMER: STANDARD PRODUCT
PART NUMBER: SF8982-XSG-5XX		REV: A

**RoHS COMPLIANT**

CUSTOMER PRINT

PART NUMBER: SF8982-XSG-5XX



**CABLE WIRING AND ASSEMBLY INSTRUCTIONS:**

**STEP 1.** SLIDE HOUSING ADAPTER, INSULATOR TUBE, AND BACKSHELL KIT, ONTO CABLE IN THE ORDER SHOWN.

**STEP 2.** STRIP CABLE JACKET AND WIRES TO LENGTH. EXCESS CABLE SHIELD MUST BE TRIMMED OR WRAPPED AROUND WIRES. IF PRESENT, USE THE DRAIN WIRE TO WRAP THE CABLE SHIELD IN PLACE.

**STEP 3.** SOLDER WIRES TO CONTACTS.

**STEP 4.** THREAD HOUSING ADAPTER ONTO CONNECTOR AND TIGHTEN TO 5 LB-IN [0.56 N-m] MINIMUM TORQUE.

**STEP 5.** PEEL-OFF THE BACKING OF THE CONDUCTIVE TAPE AND WRAP IT AROUND THE INSULATOR AS SHOWN.

**STEP 6.** SLIDE INSULATOR/CONDUCTIVE TAPE INTO THE BACK OF THE CONNECTOR. FORM FREE END OF CONDUCTIVE TAPE TIGHTLY ONTO THE SHIELD OF THE CABLE.

**STEP 7.** SLIDE AND THREAD THE BACKSHELL KIT ONTO CONNECTOR. TIGHTEN TO 5 LB-IN [0.56 N-m] MINIMUM TORQUE.

**STEP 8.** TIGHTEN THE TWO BACKSHELL SCREWS TO SECURE THE CABLE IN THE BACKSHELL.

A	MA	04-03-19	RELEASED PER PDR 17011
	PNK	9-28-18	RES-79 CHANGED TO RES-78. O-RING 4290S REPLACES SF6290S-1.
	PNK	1-30-18	DRAWING CREATED PER PDR 17011
REV.	INIT.	DATE	DESCRIPTION
ALL INFORMATION ILLUSTRATED IS THE PROPERTY OF CONXALL CORPORATION. UNAUTHORIZED DUPLICATION OR DISTRIBUTION OF THIS DOCUMENT IS PROHIBITED.		ORIG. DRAWN BY: PNK	DATE: 1-30-18
ALL UNITS ARE IN FEET, INCHES, FRACTION OF INCHES AND DECIMALS. UNLESS OTHERWISE SPECIFIED TOLERANCES: 3 PLACE DECIMALS ± .005 ANGLES ± 1° FRACTIONS ± 1/16		CHECKED BY:	 601 E. WILDWOOD VILLA PARK, IL 60181
△ - CRITICAL CHARACTERISTIC FLAG PER SPEC. XXXX		APPROVED BY:	
SCALE: NTS	SIZE: B	SHEET: 2 OF 2	TITLE: CABLE-TO-CABLE ASSEMBLY (9-18) #26 SOCKET CONTACTS, SOLDER SHIELDED MINI-CON-X STANDARD PRODUCT
FILE: FILE NAME	DIRECTORY: SLW	PART NUMBER: SF8982-XSG-5XX	REV: A