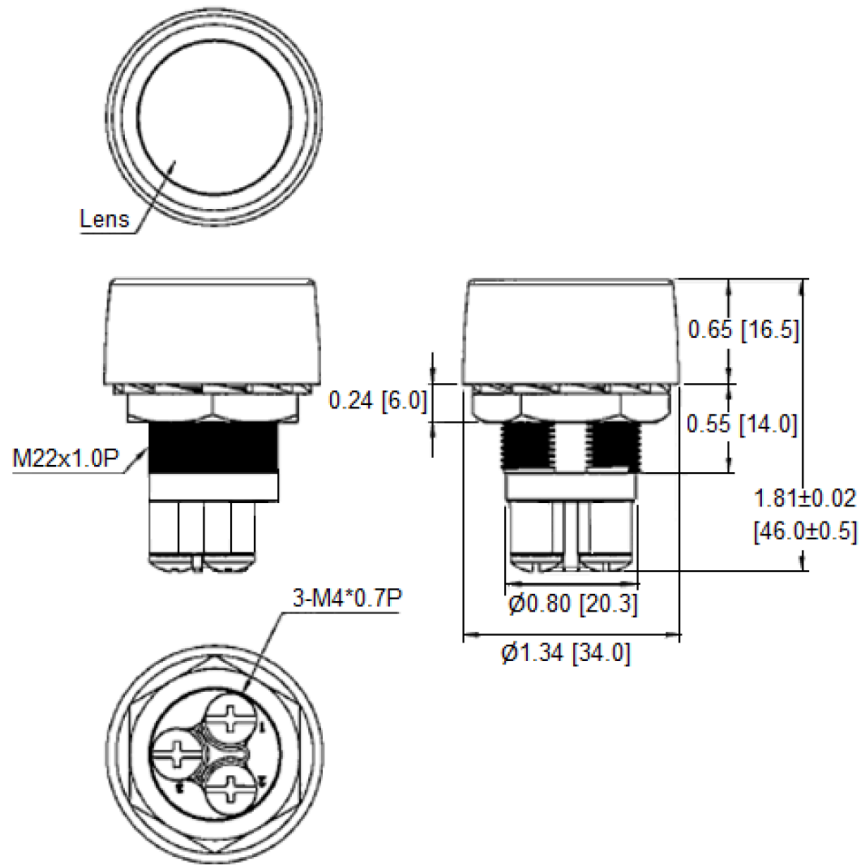
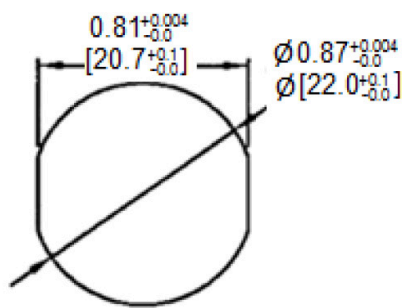


**Mechanical Dimensions: Inches [mm]**

Tolerances  $\pm 0.012$  [0.3] Unless Otherwise Specified



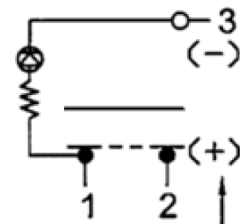
**Mounting Hole**



Thickness: 0.3 [9.0] max

**Circuit Diagram**

3P SPST OFF-(ON) (LED-D)



**Electrical Specifications**

Rating	50A 12V DC
Contact Resistance	50m ohm Max
Insulation Resistance	DC 500V 100M ohm Min
Dielectric Strength	AC 1500V 1 minute
Operation Temperature	-25°C ~ 85°C

**Material Specifications**

Frame	Black, Nylon 66 (94V-2)
Cover	Black, ABS (94HB)
Terminals	Copper alloy (Brass)
LED	$\phi 5.0$ White diffused
Actuator	Red, PC (94V-2)

**Rev      Date of issue      Revision Notes**

**Designed      Approved**

A	02-11-2019	Initial Drawing	RC	OH
---	------------	-----------------	----	----