

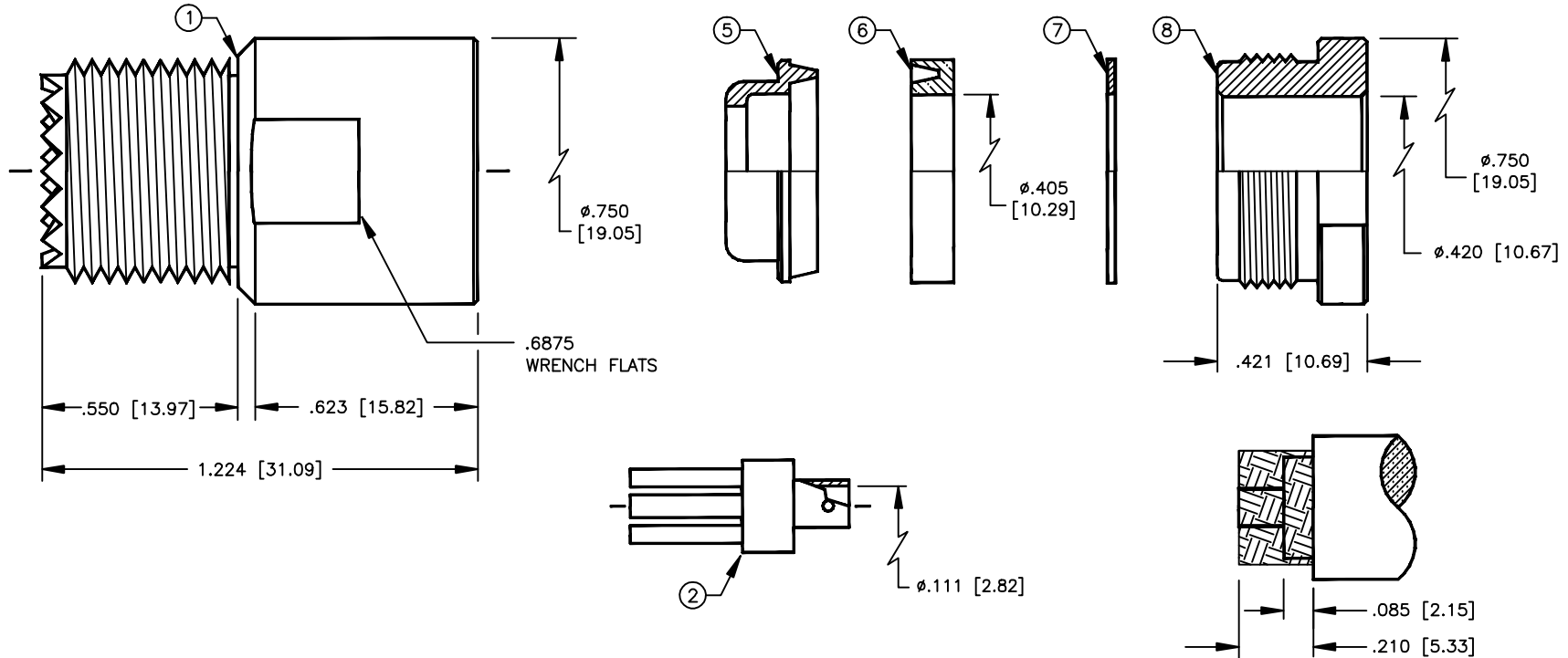
SPECIFICATION CONTROL DRAWING

THIS DRAWING CONTAINS INFORMATION PROPRIETARY TO RF INDUSTRIES, LTD. ANY UNAUTHORIZED USE OF THIS DRAWING IS EXPRESSLY PROHIBITED. ANY VIOLATION IS PUNISHABLE UNDER U.S. COPYRIGHT LAWS.

REV	DESCRIPTION	DWN	DATE	APPROVED
A	ENGINEERING RELEASE	CZS	4/20/98	R. RICE

000000

ALL DIMENSIONS ARE REFERENCE ONLY



SPECIFICATIONS:

IMPEDANCE: NON CONSTANT
 WORKING VOLTAGE: 500 VRMS @ SEA LEVEL
 FREQUENCY RANGE: 0-300 MHz
 FOR BELDEN 8214, 9913, 9913F, 9914, RG-8/U TYPE, RG-393/U,
 CAROL C1180, TIMES AA-5886 & LMR-400 CABLE

CONTACT TO BE SOLDERED - NOT CRIMPED

SUGGESTED STRIPPING INSTRUCTIONS

ITEM	DESCRIPTION	QTY	MATERIAL	FINISH
8	END NUT	1	BRASS	NICKEL
7	WASHER	1	BRASS	NICKEL
6	GASKET (FOR E/I CBL)	1	S.I.RUBBER	RED
5	CLAMP	1	BRASS	NICKEL
4	PRESS-FIT WASHER	1	BRASS	NICKEL
3	DIELECTRIC	1	PTFE	NONE
2	CONTACT	1	BRASS	SILVER
1	BODY	1	BRASS	NICKEL

DIMENSIONS ARE IN INCHES AND [MILLIMETERS]

UNLESS OTHERWISE NOTED TOLERANCES ARE:

DECIMALS DIAMETER

DRAWN C. ZUNIGA 4/20/98

CHECKED

ORJ DRAWN C. ZUNIGA 4/20/98

APPROVALS DATE

RFconnectors
 DIVISION OF RF INDUSTRIES, LTD.

7610 MIRAMAR RD
 SAN DIEGO, CA 92126
 (619)549-6340
 (619)549-6345 FAX

RFU-520-I

UHF FEMALE CLAMP

SIZE	CABLE GROUP	DWG NO.	REV
A	I	RFU-520-I	A
SCALE: 2:1		CAD FILE 13ARC B	SHEET 1 OF 1