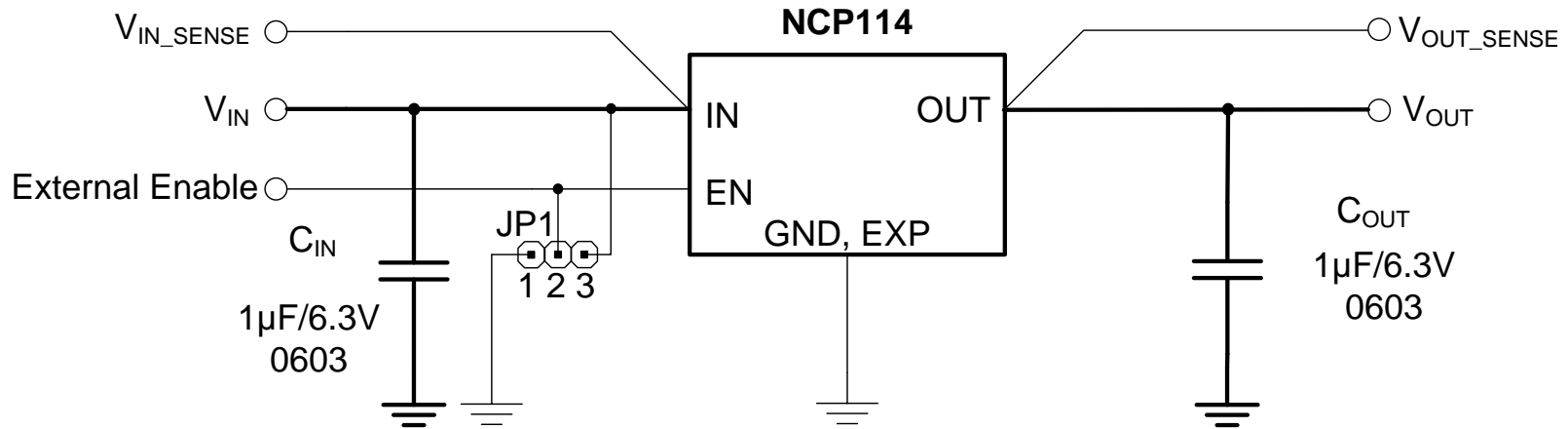


Schematic for the NCP114MXTCGEVB Evaluation Board



JP1 positions:

- 2-- -->EXTERNAL ENABLE pin is select
- 2 – 3 ->LDO is **ENABLED**
- 2 – 1-> LDO is **DISABLED**

The NCP114 is 300mA high performance LDO with low quiescent current and high PSRR. The NCP114 also offers excellent load/line transients.