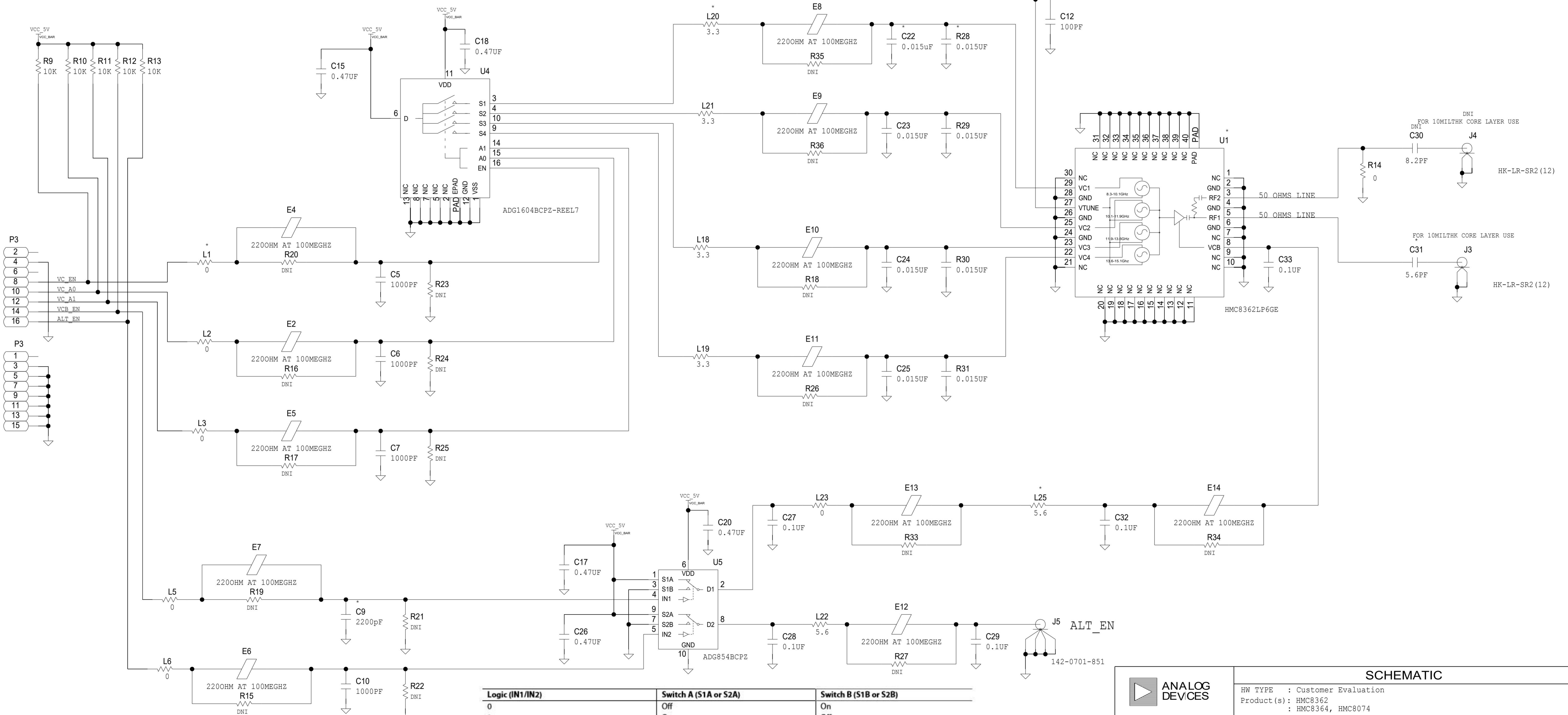
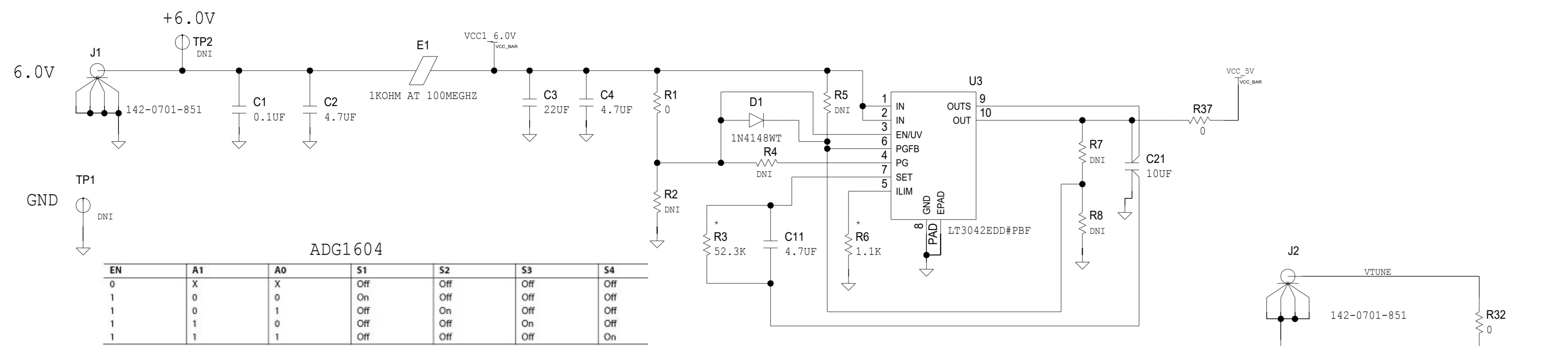


REVISIONS			
REV	DESCRIPTION	DATE	APPROVED



ANALOG DEVICES

SCHMATIC

HW TYPE : Customer Evaluation
 Product(s) : HMC8362, HMC8364, HMC8074

DESIGN VIEW : <DESIGN_VIEW>
 PTD ENGINEER : <PTD_ENGINEER>

DRAWING NO. : 02_064075-02
 SCALE : 1:1
 SHEET 2 OF 2

REV : A

ADG854