

EDS-728/828

Award-winning Product



reddot design award
honourable mention 2008



24+4G-port Layer 2/Layer 3 Gigabit modular managed Ethernet switches



- > 4 Gigabit plus 24 Fast Ethernet ports for copper and fiber
- > Turbo Ring and Turbo Chain (recovery time < 20 ms @ 250 switches), RSTP/STP, and MSTP for network redundancy
- > TACACS+, SNMPv3, IEEE 802.1X, HTTPS, and SSH to enhance network security
- > Easy network management by web browser, CLI, Telnet/serial console, Windows utility, and ABC-01
- > Layer 3 routing interconnects multiple LAN segments (EDS-828)



IndustrialIT
▶▶▶enabled



Introduction

The EDS-728/828 modular Gigabit Ethernet switch features a versatile modular design that allows different combinations of fiber and copper modules, creating a wide array of connection options ideal for any automation network. The modular design lets you install up to 4 Gigabit ports and 24 Fast Ethernet ports. The EDS-728/828 is specially designed for redundant Gigabit network backbones and uses a modular configuration to provide a high degree of flexibility for network expansion. Top network performance, security, and reliability is assured through the EDS-728/828's advanced management and

security features. The EDS-728/828 also features industrial-grade construction, a console port for automatic configuration backup, and an angled LED troubleshooting panel that can be conveniently viewed from both horizontal and vertical orientations. In addition to Layer 2 features, the EDS-828 is a high-performance Layer 3 Ethernet switch designed for network routing. The improved hardware technology built into the EDS-828 replaces the software logic used by traditional routers, offering better performance, and making the switch ideal for large-scale local area networks.

Features and Benefits

- Layer 3 switching functionality to move data and information across networks (EDS-828)
- Command Line Interface (CLI) for quickly configuring major managed functions
- Supports advanced VLAN capability with Q-in-Q tagging
- Software-based IEEE 1588 PTPv2 (Precision Time Protocol) for precise time synchronization of networks
- DHCP Option 82 for IP address assignment with different policies
- Support EtherNet/IP and Modbus/TCP protocols for device management and monitoring
- Compatible with PROFINET protocol for transparent data transmission
- Turbo Ring and Turbo Chain (recovery time < 20 ms @ 250 switches), RSTP/STP, and MSTP for network redundancy
- IGMP snooping and GMRP for filtering multicast traffic
- IEEE 802.1Q VLAN and GVRP protocol to ease network planning
- QoS (IEEE 802.1p/1Q and TOS/DiffServ) to increase determinism
- Port Trunking for optimum bandwidth utilization
- Access Control Lists (ACL) increase the flexibility and security of network management (EDS-828)
- TACACS+, SNMPv3, IEEE 802.1X, HTTPS, and SSH to enhance network security
- SNMPv1/v2c/v3 for different levels of network management
- RMON for efficient network monitoring and proactive capability
- Bandwidth management prevents unpredictable network status
- Lock port function for blocking unauthorized access based on MAC address
- Port mirroring for online debugging
- Automatic warning by exception through e-mail, relay output
- Digital inputs for integrating sensors and alarms with IP networks
- Redundant, dual DC power inputs
- Configurable by Web browser, Telnet/serial console, CLI, Windows utility, and ABC-01 automatic backup configurator

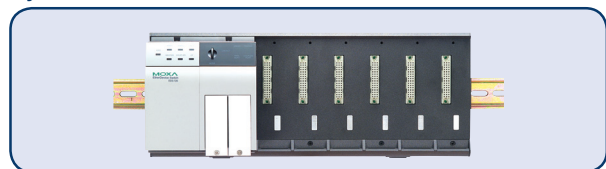
Specifications

Technology

Standards:

- IEEE 802.3 for 10BaseT
- IEEE 802.3u for 100BaseT(X) and 100BaseFX
- IEEE 802.3ab for 1000BaseT(X)
- IEEE 802.3z for 1000BaseX
- IEEE 802.3x for Flow Control
- IEEE 802.1D-2004 for Spanning Tree Protocol
- IEEE 802.1w for Rapid Spanning Tree Protocol
- IEEE 802.1s for Multiple Spanning Tree Protocol
- IEEE 802.1Q for VLAN Tagging
- IEEE 802.1p for Class of Service
- IEEE 802.1X for Authentication
- IEEE 802.3ad for Port Trunk with LACP

Layer 2/Layer 3 Modular Managed Ethernet Switch System, EDS-72810G/82810G



Protocols: IGMPv1/v2, GMRP, GVRP, SNMPv1/v2c/v3, DHCP Server/Client, BootP, TFTP, SNTP, SMTP, RARP, RMON, HTTP, HTTPS, Telnet, Syslog, DHCP Option 66/67/82, SSH, LLDP, IEEE 1588 PTPv2, EtherNet/IP, Modbus/TCP, SNMP Inform, NTP Server/Client

Layer 3 Switching: Static routing, RIP V1/V2, OSPF, DVMRP, PIM-DM (EDS-828)

Layer 3 Switching Redundancy: VRRP (EDS-828)

MIB: MIB-II, Ethernet-like MIB, P-BRIDGE MIB, Q-BRIDGE MIB, Bridge MIB, RSTP MIB, RMON MIB Groups 1, 2, 3, 9

Flow Control: IEEE 802.3x flow control, back pressure flow control

Switch Properties

- Priority Queues:** 4
- Max. Number of Available VLANs:** 64
- VLAN ID Range:** VID 1 to 4094
- IGMP Groups:** 256
- MAC Table Size:** 16 K
- Packet Buffer Size:** 32 MB

Interface

Fast Ethernet: 6 slots for any combination of 4-port interface modules, 10/100BaseT(X) or 100BaseFX

Gigabit Ethernet: 2 slots for any combination of 2-port interface modules, 10/100/1000BaseT(X) or 1000BaseSFP slot

Console Port: RS-232 (RJ45 connector)

System LED Indicators: STAT, PWR1, PWR2, FAULT, MSTR/HEAD, CPLR/TAIL, T.RING

Mode LED Indicators: LNK/ACT, FDX/HDX, RING PORT, COUPLER PORT, SPEED

Alarm Contact: 2 relay outputs with current carrying capacity of 1 A @ 24 VDC

Digital Inputs: 2 inputs with the same ground, but electrically isolated from the electronics.

- +13 to +30V for state "1"
- -30 to +3V for state "0"
- Max. input current: 8 mA

Power Requirements

Input Voltage: 24 VDC (12 to 45 VDC), redundant dual inputs

Input Current: 0.96 A @ 24 V

Overload Current Protection: Present

Connection: 2 removable 6-contact terminal blocks

Reverse Polarity Protection: Present

Physical Characteristics

Housing: IP30 protection

Dimensions: 362.4 x 142.5 x 128 mm (14.27 x 5.61 x 5.04 in)

Weight: 1950 g

Installation: DIN-rail mounting, wall mounting (with optional kit)

Environmental Limits

Operating Temperature: 0 to 60°C (32 to 140°F)

Storage Temperature: -40 to 85°C (-40 to 185°F)

Ambient Relative Humidity: 5 to 95% (non-condensing)

Standards and Certifications

Safety: UL 508, UL 60950-1, CSA C22.2 No. 60950-1, EN 60950-1

EMI: FCC Part 15 Subpart B Class A, EN 55022 Class A

EMS:

EN 61000-4-2 (ESD) Level 3, EN 61000-4-3 (RS) Level 3,

EN 61000-4-4 (EFT) Level 4, EN 61000-4-5 (Surge) Level 4,

EN 61000-4-6 (CS) Level 3, EN 61000-4-8, EN 61000-4-12

Marine: DNV, GL, LR, ABS, NK

Shock: IEC 60068-2-27

Freefall: IEC 60068-2-32

Vibration: IEC 60068-2-6

Note: Please check Moxa's website for the most up-to-date certification status.

MTBF (mean time between failures)

Time: 191,203 hrs

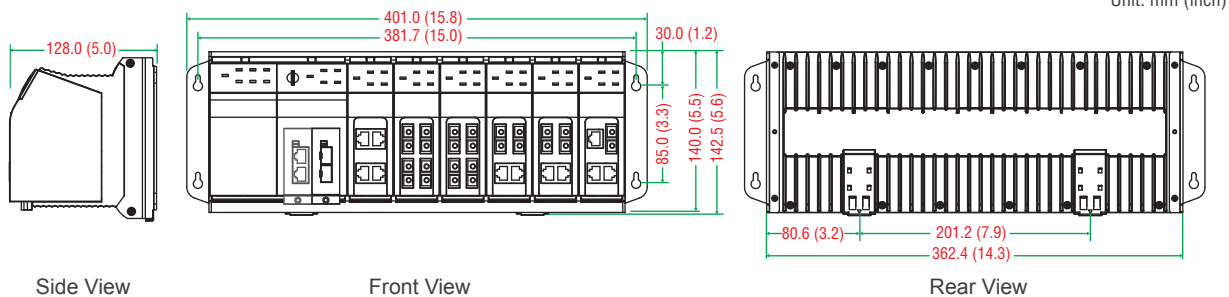
Database: Telcordia (Bellcore), GB

Warranty

Warranty Period: 5 years

Details: See www.moxa.com/warranty

Dimensions



Ordering Information

Step 1: Select Ethernet switch system

EDS-72810G/82810G

Step 2: Select interface modules

IM series
(Gigabit or Fast Ethernet)

Note: The EDS-72810G/82810G switch system is delivered without interface modules. See the IM series and SFP-1G datasheets for Gigabit and Fast Ethernet interface module product information.

Available Models

EDS-72810G/82810G: Layer 2/Layer 3 modular managed Ethernet switch system with 6 slots for 4-port Fast Ethernet interface modules and 2 slots for 2-port Gigabit interface modules, for up to 24+4G ports

Optional Accessories (can be purchased separately)

Mxview: Moxa industrial network management software with 50, 100, 250, 500, 1000, or 2000 nodes

EDS-SNMP OPC Server Pro: OPC server software that works with all SNMP devices

ABC-01: Configuration backup and restoration tool for managed Ethernet switches, 0 to 60°C operating temperature

DR-4524/75-24/120-24: 45/75/120 W DIN-rail 24 VDC power supplies

MDR-40-24/60-24: 40/60 W DIN-rail 24 VDC power supplies, -20 to 70°C operating temperature

WK-32: Wall mounting kit for the EDS-728/828 series

RK-4U: 4U-high 19" rack mounting kit

Package Checklist

- EDS-728/828 switch
- RJ45 to DB9 console port cable
- Documentation and software CD
- Hardware installation guide (printed)
- Warranty card

IM Series

2-port Gigabit Ethernet and 4-port Fast Ethernet interface modules for EDS-728/828 series Ethernet switches

Specifications

Gigabit Ethernet Interface Modules, IM-2G Series



IM-2GTX

IM-2GSFP

Interface

Fiber Ports: 1000BaseSFP slot

RJ45 Ports: 10/100/1000BaseT(X) auto negotiation speed and auto MDI/MDI-X connection

LED Indicators: Port status

Note: See the SFP-1G datasheet for Gigabit Ethernet SFP module product information.

Power Requirements

Power Consumption (@ 24 V):

IM-2GTX: 2.96 W

IM-2GSFP: 3.04 W

Physical Characteristics

Dimensions: 24 x 65.9 x 101.1 mm (0.94 x 2.59 x 3.98 in)

Weight:

IM-2GTX: 150 g

IM-2GSFP: 148 g

Time:

IM-2GTX: 417,521 hrs

IM-2GSFP: 424,955 hrs

Database: Telcordia (Bellcore), GB

Fast Ethernet Interface Modules, IM Series



IM-4TX

IM-2MSC/2TX
IM-2SSC/2TX

IM-2MST/2TX

IM-1LSC/3TX

IM-4MSC
IM-4SSC

IM-4MST

Interface

Fiber Ports: 100BaseFX ports (SC/ST connector)

RJ45 Ports: 10/100BaseT(X) auto negotiation speed, Full/Half duplex mode, and auto MDI/MDI-X connection

LED Indicators: PWR, P1, P2, P3, P4 port status

Optical Fiber

	100BaseFX	
	Multi Mode	Single Mode
Wavelength	1300 nm	1310 nm
Max. TX	-10 dBm	0 dBm
Min. TX	-20 dBm	-5 dBm
RX Sensitivity	-32 dBm	-34 dBm
Link Budget	12 dB	29 dB
Typical Distance	5 km ^a 4 km ^b	40 km ^c
Saturation	-6 dBm	-3 dBm

a. 50/125 μm, 800 MHz*km fiber optic cable

b. 62.5/125 μm, 500 MHz*km fiber optic cable

c. 9/125 μm single-mode fiber optic cable

d. 9/125 μm single-mode fiber optic cable (80 km)

Power Requirements

Power Consumption (@ 24 V):

IM-4TX: 1.52 W

IM-2MSC/2TX: 2.43 W

IM-2MST/2TX: 2.43 W

IM-2SSC/2TX: 2.43 W

IM-1LSC/3TX: 2.5 W

IM-4MSC: 6.6 W

IM-4MST: 6.6 W

IM-4SSC: 6.6 W

Physical Characteristics

Housing: IP30 protection

Dimensions: 40 x 127.8 x 100 mm (1.57 x 5.03 x 3.94 in)

Weight:

IM-4TX: 215 g

IM-2MSC/2TX: 245 g

IM-2MST/2TX: 250 g

IM-2SSC/2TX: 245 g

IM-1LSC/3TX: 235 g

IM-4MSC: 250 g

IM-4MST: 270 g

IM-4SSC: 270 g

MTBF (mean time between failures)

Time:

IM-4TX: 4,403,579 hrs
 IM-2MSC/2TX, IM-2MST/2TX, IM-2SSC/2TX: 1,011,453 hrs
 IM-1LSC/3TX: 3,924,924 hrs
 IM-4MSC, IM-4MST, IM-4SSC: 696,138 hrs

Database: Telcordia (Bellcore), GB

Warranty

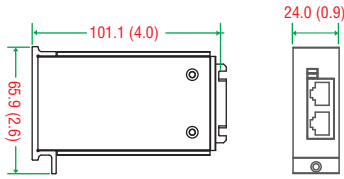
Warranty Period: 5 years

Details: See www.moxa.com/warranty

Dimensions

Unit: mm (inch)

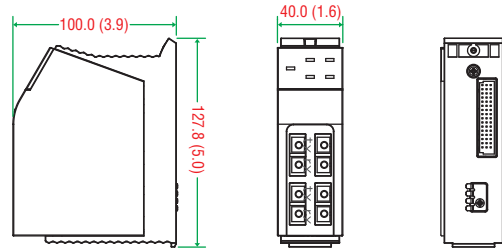
Gigabit Ethernet Interface Modules



Side View

Front View

Fast Ethernet Interface Modules



Side View

Front View

Rear View

Ordering Information

Available Models (0 to 60°C)	Port Interface						
	Gigabit Ethernet		Fast Ethernet				
	10/100/1000BaseT(X)	1000BaseSFP*	10/100BaseT(X)	100BaseFX			
Multi-mode, SC Connector				Multi-mode, ST Connector	Single-mode, SC Connector	Single-mode, SC Connector, 80 km	
IM-2G Series							
IM-2GTX	2	–	–	–	–	–	–
IM-2GSFP	–	2	–	–	–	–	–
IM Series							
IM-4TX	–	–	4	–	–	–	–
IM-4MSC	–	–	–	4	–	–	–
IM-4MST	–	–	–	–	4	–	–
IM-2MSC/2TX	–	–	2	2	–	–	–
IM-2MST/2TX	–	–	2	–	2	–	–
IM-4SSC	–	–	–	–	–	4	–
IM-2SSC/2TX	–	–	2	–	–	2	–
IM-1LSC/3TX	–	–	3	–	–	–	1

*See the SFP-1G datasheet for Gigabit Ethernet SFP module product information.

Package Checklist

- IM series interface modules
- Warranty card

SFP-1G Series

1-port Gigabit Ethernet SFP modules



- > IEEE 802.3z compliant
- > Differential LVPECL inputs and outputs
- > TTL signal detect indicator
- > Hot pluggable LC duplex connector
- > Class 1 laser product, complies with EN 60825-1



Specifications

Interface

Ethernet Ports: 1

Connectors: Duplex LC Connector or Simplex LC Connector (WDM-type only)

Note: WDM-type SFP modules must be used in pairs (e.g., SFP-1G10ALC and SFP-1G10BLC)

Note: When connecting long distance SFP (SFP-ZX, EZX or EZX-120), please ensure at least 5 dB attenuation between both ends. Without attenuation, excessive optical power may damage the transceivers.

Optical Fiber

	Gigabit Ethernet													
	SFP-SX	SFP-LSX	SFP-LX	SFP-LH	SFP-LHX	SFP-ZX	SFP-EZX	SFP-EZX-120	SFP-10A	SFP-10B	SFP-20A	SFP-20B	SFP-40A	SFP-40B
Wavelength	850 nm	1310 nm	1310 nm	1310 nm	1310 nm	1550 nm	1550 nm	1550 nm	TX 1310 nm, RX 1550 nm	TX 1550 nm, RX 1310 nm	TX 1310 nm, RX 1550 nm	TX 1550 nm, RX 1310 nm	TX 1310 nm, RX 1550 nm	TX 1550 nm, RX 1310 nm
Max. TX	-4 dBm	-1 dBm	-3 dBm	-2 dBm	1 dBm	5 dBm	5 dBm	3 dBm	-3 dBm		-2 dBm		2 dBm	
Min. TX	-9.5 dBm	-9 dBm	-9.5 dBm	-8 dBm	-4 dBm	0 dBm	0 dBm	-2 dBm	-9 dBm		-8 dBm		-3 dBm	
RX Sensitivity	-18 dBm	-19 dBm	-20 dBm	-23 dBm	-24 dBm	-24 dBm	-30 dBm	-33 dBm	-21 dBm		-23 dBm		-23 dBm	
Link Budget	8.5 dB	10 dB	10.5 dB	15 dB	20 dB	24 dB	30 dB	31 dB	12 dB		15 dB		20 dB	
Typical Distance	550 m ^a	2 km ^b	10 km ^c	30 km ^c	40 km ^c	80 km ^c	110 km ^c	120 km ^c	10 km ^c		20 km ^c		40 km ^c	
Saturation	0 dBm	-3 dBm	-3 dBm	-3 dBm	-3 dBm	-3 dBm	-3 dBm	-8 dBm	-1 dBm		-1 dBm		-1 dBm	

a. 50/125 μm, 400 MHz-km or 62.5/125 μm, 500 MHz-km @ 850 nm multi-mode fiber optic cable

b. 62.5/125 μm, 750 MHz-km @ 1310 nm multi-mode fiber optic cable

c. 9/125 μm single-mode fiber optic cable

Note: The actual communication distance depends on many factors, including connector loss, cable deployment, and the age of the cabling system. We recommend doing a link budget analysis and reserving a 3 dB margin for such factors.

Environmental Limits

Operating Temperature:

Standard Models: 0 to 60°C (32 to 140°F)

Wide Temp. Models: -40 to 85°C (-40 to 185°F)

Storage Temperature: -40 to 85°C (-40 to 185°F)

Ambient Relative Humidity: 5 to 95% (non-condensing)

Standards and Certifications

Safety: UL 60950-1, TÜV

Warranty

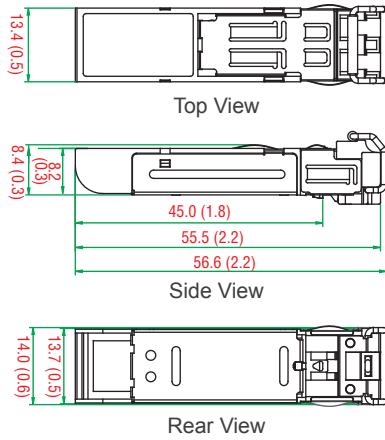
Warranty Period: 5 years

Details: See www.moxa.com/warranty

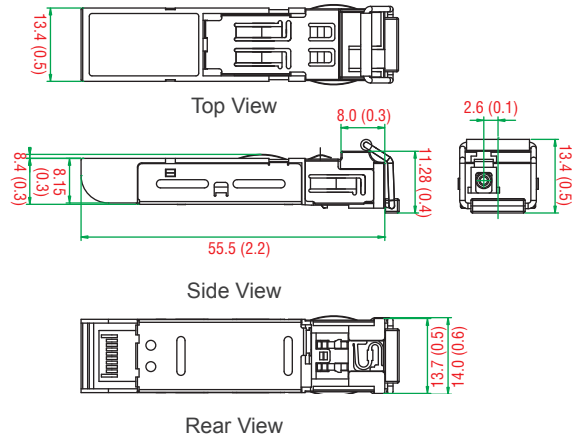
Dimensions

Unit: mm (inch)

SFP-1G Series



SFP-1G Series (WDM Type)



: Ordering Information

SFP Modules

Available Models		Port Interface							
Standard Temperature (0 to 60°C)	Wide Temperature (-40 to 85°C)	1000BaseSX, LC Connector, 0.5 km	1000BaseLSX, LC Connector, 2 km	1000BaseLX, LC Connector, 10 km	1000BaseLH, LC Connector, 30 km	1000BaseLHX, LC Connector, 40 km	1000BaseZX, LC Connector, 80 km	1000BaseEZ, LC Connector, 110 km	1000BaseEZ, LC Connector, 120 km
SFP-1GSXLC	SFP-1GSXLC-T*	1	-	-	-	-	-	-	-
SFP-1GLSXL	SFP-1GLSXL-T	-	1	-	-	-	-	-	-
SFP-1GLXL	SFP-1GLXL-T	-	-	1	-	-	-	-	-
SFP-1GLHL	SFP-1GLHL-T	-	-	-	1	-	-	-	-
SFP-1GLHLX	SFP-1GLHLX-T	-	-	-	-	1	-	-	-
SFP-1GZXL	SFP-1GZXL-T	-	-	-	-	-	1	-	-
SFP-1GEZXL	-	-	-	-	-	-	-	1	-
SFP-1GEZXL-120	-	-	-	-	-	-	-	-	1

*SFP-1GSXLC-T: -20 to 75°C operating temperature

WDM-type (BiDi) SFP Modules

Available Models		Port Interface					
Standard Temperature (0 to 60°C)	Wide Temperature (-40 to 85°C)	1000BaseSFP, LC Connector, 10 km		1000BaseSFP, LC Connector, 20 km		1000BaseSFP, LC Connector, 40 km	
		TX 1310 nm, RX 1550 nm	TX 1550 nm, RX 1310 nm	TX 1310 nm, RX 1550 nm	TX 1550 nm, RX 1310 nm	TX 1310 nm, RX 1550 nm	TX 1550 nm, RX 1310 nm
SFP-1G10ALC	SFP-1G10ALC-T	1	-	-	-	-	-
SFP-1G10BLC	SFP-1G10BLC-T	-	1	-	-	-	-
SFP-1G20ALC	SFP-1G20ALC-T	-	-	1	-	-	-
SFP-1G20BLC	SFP-1G20BLC-T	-	-	-	1	-	-
SFP-1G40ALC	SFP-1G40ALC-T	-	-	-	-	1	-
SFP-1G40BLC	SFP-1G40BLC-T	-	-	-	-	-	1

Available Models

The SFP-1G series modules can be used with the following products:

ICS-G7850A/G7852A series, ICS-G7850/G7852 series, ICS-G7750A/G7752A series, ICS-G7750/G7752 series, IM-G7000A-4GSFP, IM-G7000-4GSFP, ICS-G7826A/G7828A series, ICS-G7826/G7828 series, ICS-G7526A/G7528A series, ICS-G7526/G7528 series, IKS-G6524A/G6824A series, IKS-G6524/G6824 series, IKS-6726A/6728A series, IKS-6726/6728 series, IM-2GSFP, EDS-611/619 series, EDS-G516E series, EDS-G512E series, EDS-G509 series, EDS-518A series, EDS-510A series, EDS-510E series, EDS-G308 series, EDS-210A series, IKS-6728A-8PoE series, IKS-6728-8PoE series, EDS-P510A-8PoE series, EDS-P510 series, EDS-G205A-4PoE series, PM-7200-2G/4G series, PT-G7509 series, IMC-101G series, EDR-G903/G902 series, EDR-810 series

Package Checklist

- SFP-1G module
- Warranty card