

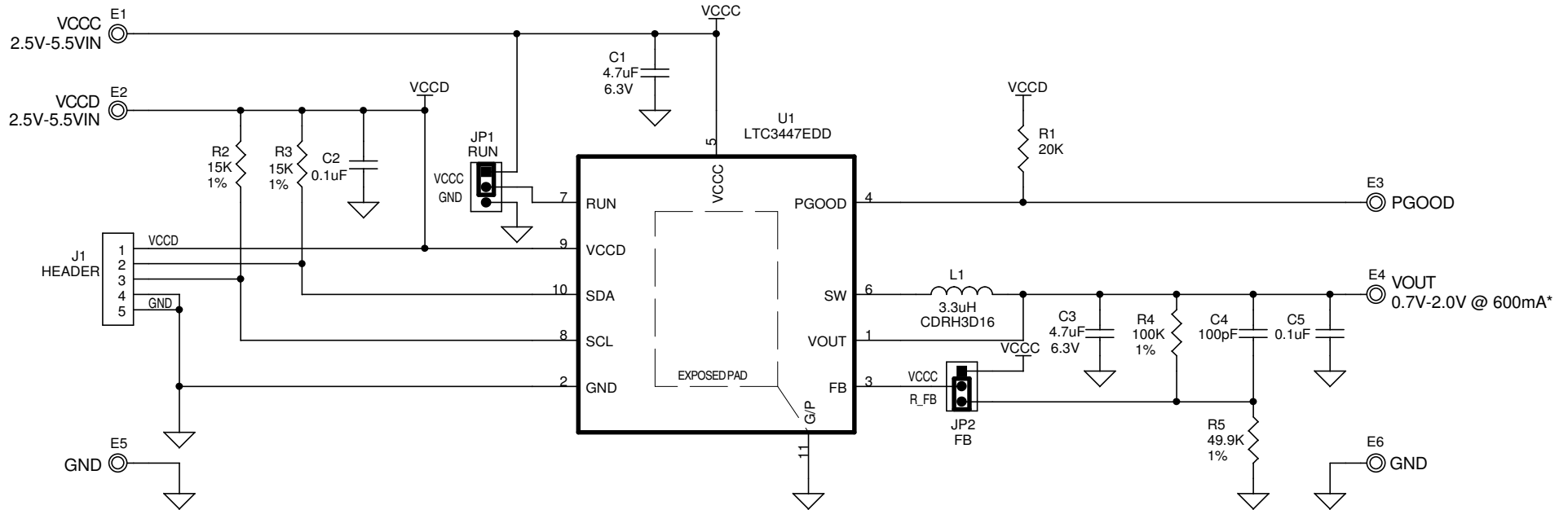
**PROPRIETARY DATA:**

This circuit is proprietary to Linear Technology and supplied for use with Linear Technology parts.

**CUSTOMER NOTICE:** Linear Technology has made a best effort to design a circuit that meets customer-supplied specifications; however, it remains the customer's responsibility to verify proper and reliable operation in the actual application. Component substitution and printed circuit board layout may significantly affect circuit performance or reliability. Contact Linear Technology Applications Engineering for assistance.


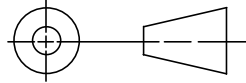
**REVISION HISTORY**

ECO	REV	DESCRIPTION	DATE	APPROVED
-	1	PROTOTYPE	02/04/04	-
	2	CHG IC PINOUT	5/24/04	



\* 600mA @ Vin = 3.0V, Vout = 1.3V

**LTC CONFIDENTIAL - For Customer Use Only**

UNLESS OTHERWISE SPECIFIED DIMENSIONS ARE IN INCHES TOLERANCE ON ANGLE --- 2 PLACES --- 3 PLACES --- INTERPRET DIM AND TOL PER ASME Y14.5M -1994	CONTRACT NO.		 1630 McCarthy Blvd. Milpitas, CA 95035 Phone: (408)432-1900 Fax: (408)434-0507	
	APPROVALS	DATE		
	DRAWN mei	02/04/04		
	CHECKED -	-		
THIRD ANGLE PROJECTION	APPROVED		TITLE	
	ENGINEER D. CANNY	02/04/04	SCH, I2C CONTROLLED BUCK REGULATOR, POWER GOOD INDICATOR	
	DESIGNER E. BARBER	02/04/04		
DO NOT SCALE DRAWING	Monday, June 27, 2005	SIZE <b>A</b>	CAGE CODE DWG NO <b>DC767A</b>	REV <b>2</b>
		SCALE: NONE	FILENAME: 767Ar2.DSN	SHEET 1 OF 1