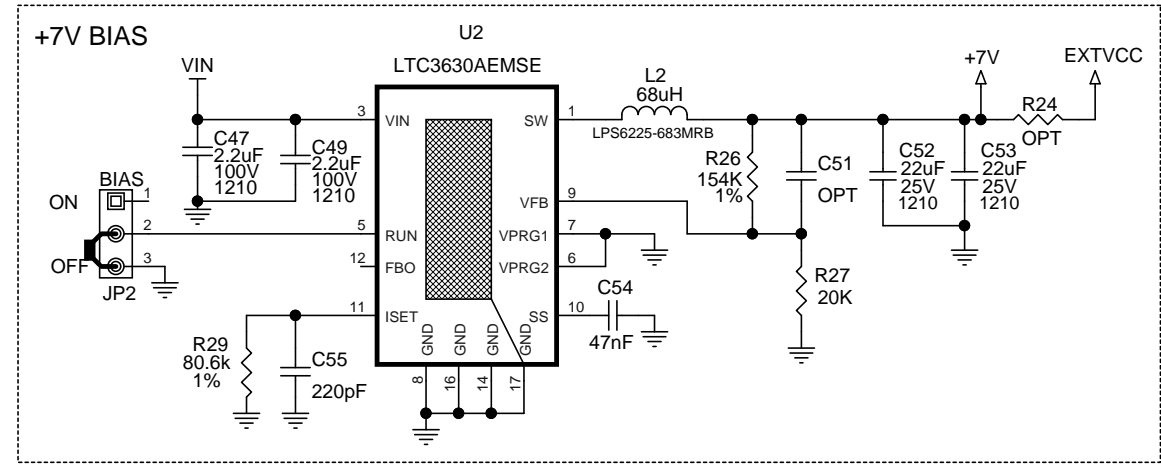
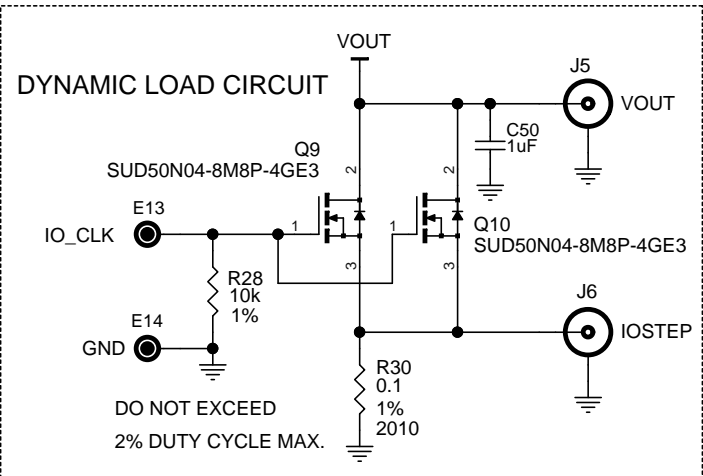
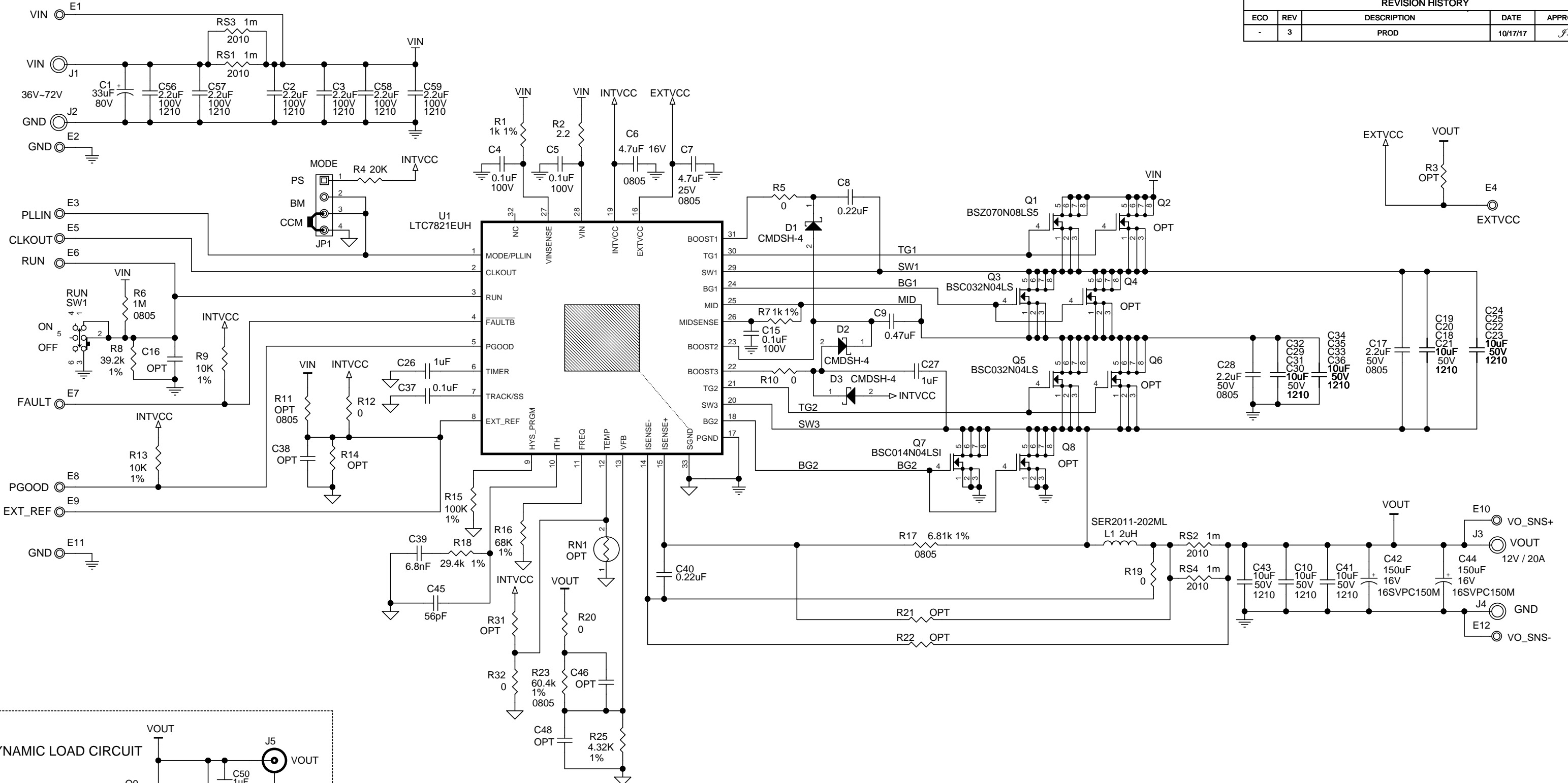


REVISION HISTORY				
ECO	REV	DESCRIPTION	DATE	APPROVED
-	3	PROD	10/17/17	JL



NOTES: UNLESS OTHERWISE SPECIFIED,
1. CAPACITORS AND RESISTORS ARE 0603.

CUSTOMER NOTICE
LINEAR TECHNOLOGY HAS MADE A BEST EFFORT TO DESIGN A CIRCUIT THAT MEETS CUSTOMER-SUPPLIED SPECIFICATIONS; HOWEVER, IT REMAINS THE CUSTOMER'S RESPONSIBILITY TO VERIFY PROPER AND RELIABLE OPERATION IN THE ACTUAL APPLICATION. COMPONENT SUBSTITUTION AND PRINTED CIRCUIT BOARD LAYOUT MAY SIGNIFICANTLY AFFECT CIRCUIT PERFORMANCE OR RELIABILITY. CONTACT LINEAR TECHNOLOGY APPLICATIONS ENGINEERING FOR ASSISTANCE.

APPROVALS			1630 McCarthy Blvd. Milpitas, CA 95035 www.linear.com Phone: (408)432-1900 Fax: (408)434-0507 LTC CONFIDENTIAL - FOR CUSTOMER USE ONLY	
PCB DES.	JL		TITLE: SCHEMATIC	SIZE
APP ENG.	JL	HIGH DENSITY HYBRID STEP-DOWN POWER SUPPLY	N/A	LTC7821EUH
			SCALE = NONE	DEMO CIRCUIT 2513A
			DATE: Friday, October 27, 2017	REV. 3
				SHEET 1 OF 1