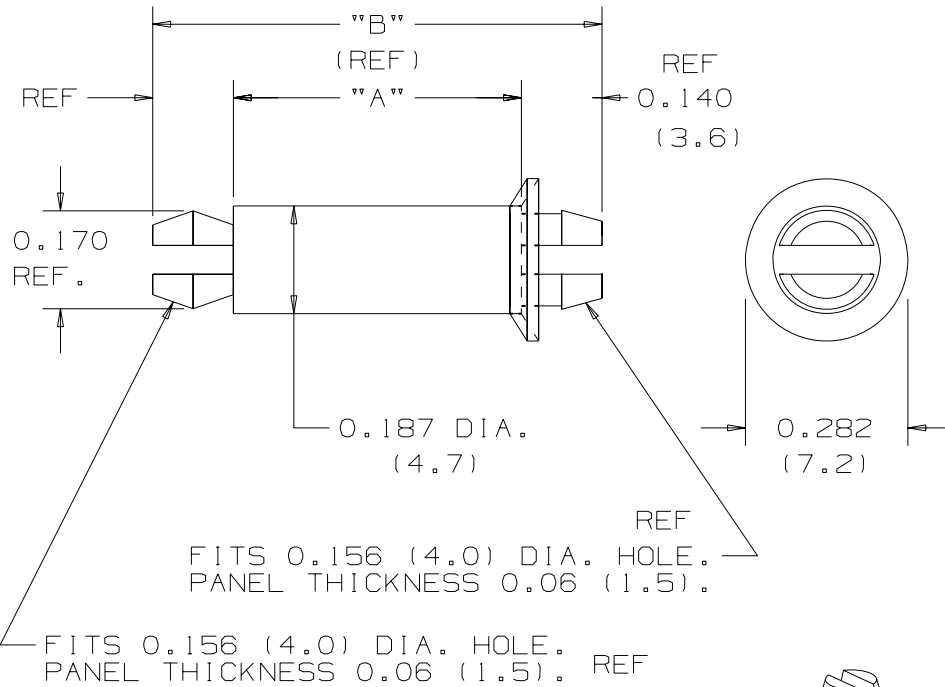


THIS COPY IS PROVIDED ON A RESTRICTED BASIS AND IS NOT TO BE USED IN ANY WAY DETRIMENTAL TO THE INTERESTS OF PANDUIT CORP.



*PANDUIT PART NO.	A (REF) in/(mm) STANDOFF HEIGHT	B in/(mm) (REF)	WEIGHT lbs (g)/100pcs
CBP12	0.12 (3.0)	0.40 (10.2)	0.029 (13)
CBP25	0.25 (6.4)	0.53 (13.5)	0.042 (19)
CBP31	0.31 (7.9)	0.59 (15.0)	0.048 (22)
CBP37	0.37 (9.4)	0.62 (15.7)	0.055 (25)
CBP50	0.50 (12.7)	0.78 (19.8)	0.068 (31)
CBP62	0.62 (15.7)	0.90 (22.9)	0.081 (37)
CBP75	0.75 (19.1)	1.03 (26.2)	0.090 (41)
CBP87	0.87 (22.1)	1.15 (29.2)	0.106 (48)
CBP100	1.00 (25.4)	1.28 (32.5)	0.119 (54)

NOTE:

*1. SEE CURRENT PRICE SHEET FOR PART NUMBER SUFFIX DESIGNATION FOR PACKAGE SIZE AND PART NUMBER.

(DIMENSIONS IN PARENTHESES ARE IN METRIC.)

CAD FILENAME/LAYERS G00239BK_PB_CBP_04



CBP - CIRCUIT BOARD POST

UNLESS OTHERWISE SPECIFIED, DIMENSIONAL TOLERANCES ARE:
 (.X) ±0.05 (1.3) (.XXX) ±0.010 (0.25)
 (.XX) ±0.02 (.5) ANGLES ± 5°

UNLESS OTHERWISE SPECIFIED, ALL DIMENSIONS ARE GIVEN IN INCHES, THIRD ANGLE PROJECTION.

DRAWN BY JRL

MAT'L:

SCALE NONE

DATE 1/8/93

NYLON 6/6

DRAWING NO. G00239BK DWG SIZE A

CHK'D

REV	DATE	BY	CHK	DESCRIPTION	ECN	R	CUST	SUP
4	1-11-06	TMSA		CHANGED (.XX) TOLERANCE FROM ±.050 (1.3)	GB0239BK	4		
3	5-2-02	LGG		ADDED HEIGHT AND REFERENCE TO DIM 'A' TABLE	GB0239BK	3		
2	6-26-01	LGG		ADDED REF TO DIM UPDATED FOR WEB	GB0239BK	2		
1	6-26-96	CJG		ADDED .170 REF. DIM.	GB0239BK	1		
R	1-9-93	JRL		INITIAL RELEASE	GB0239BK	R		