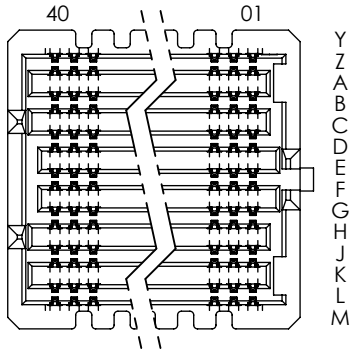
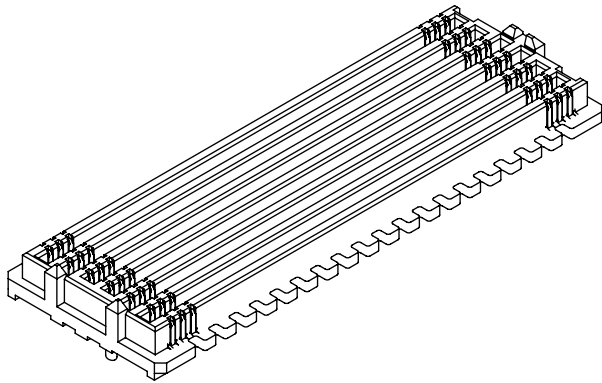


DO NOT SCALE FROM THIS PRINT

NOTES:

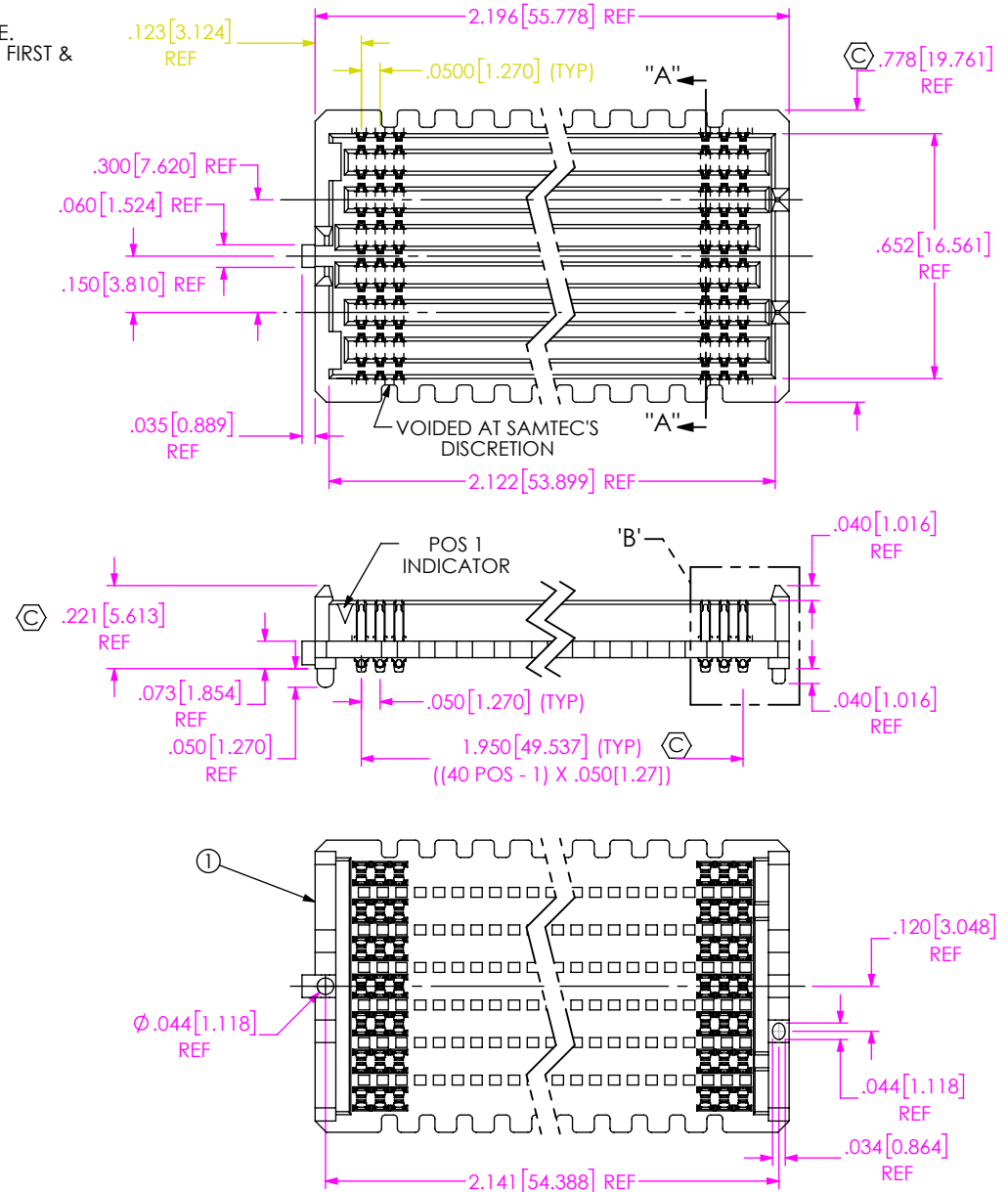
1. VITA 57.4 CONNECTOR.
2.  $\text{\textcircled{C}}$  REPRESENTS A CRITICAL DIMENSION.
3. MINIMUM PUSHOUT FORCE: 0.50 LBS.
4. ATTACH LABEL "SEAX-0001" TO EACH TAPE & REEL PACKAGE.
5. MAXIMUM ROW TO ROW VARIATION .003[0.08], MEASURED FIRST & LAST POSITIONS ONLY, ALL ROWS.
6. PARTS TO BE PACKAGED IN TAPE AND REEL.

**Pb** THIS PRODUCT MANUFACTURED WITH LEAD-FREE PROCESSING



-14 ROW DETAIL

ANY REV MADE TO THIS PRINT MUST HAVE AN UPDATED MKT PRINT

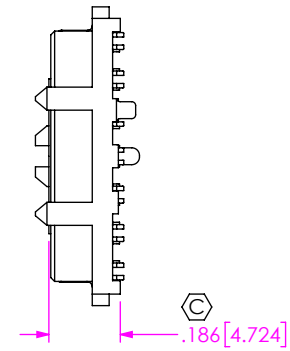
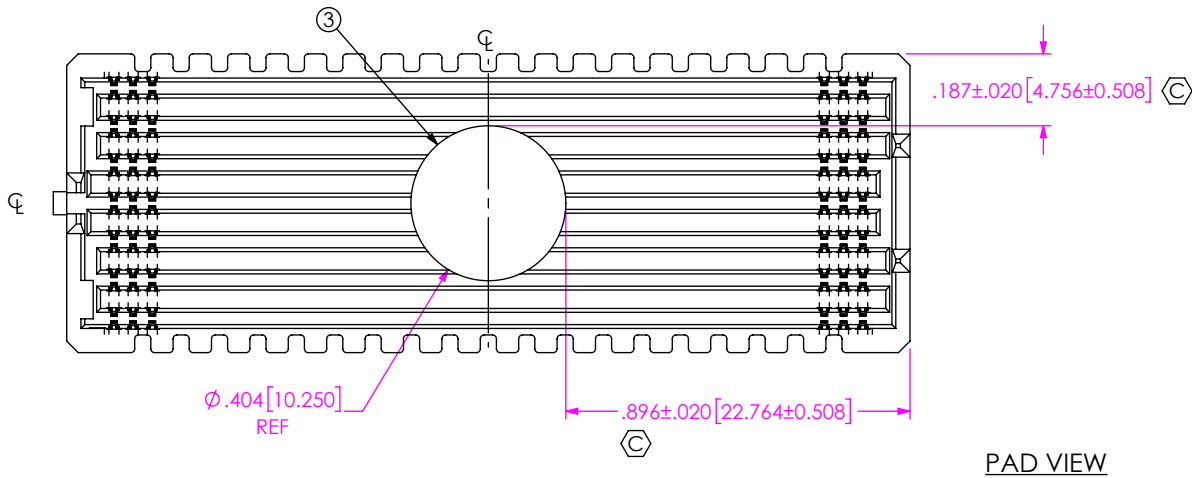
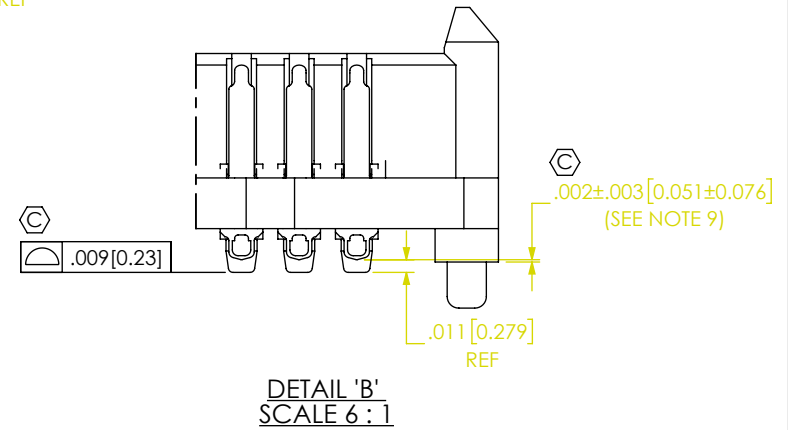
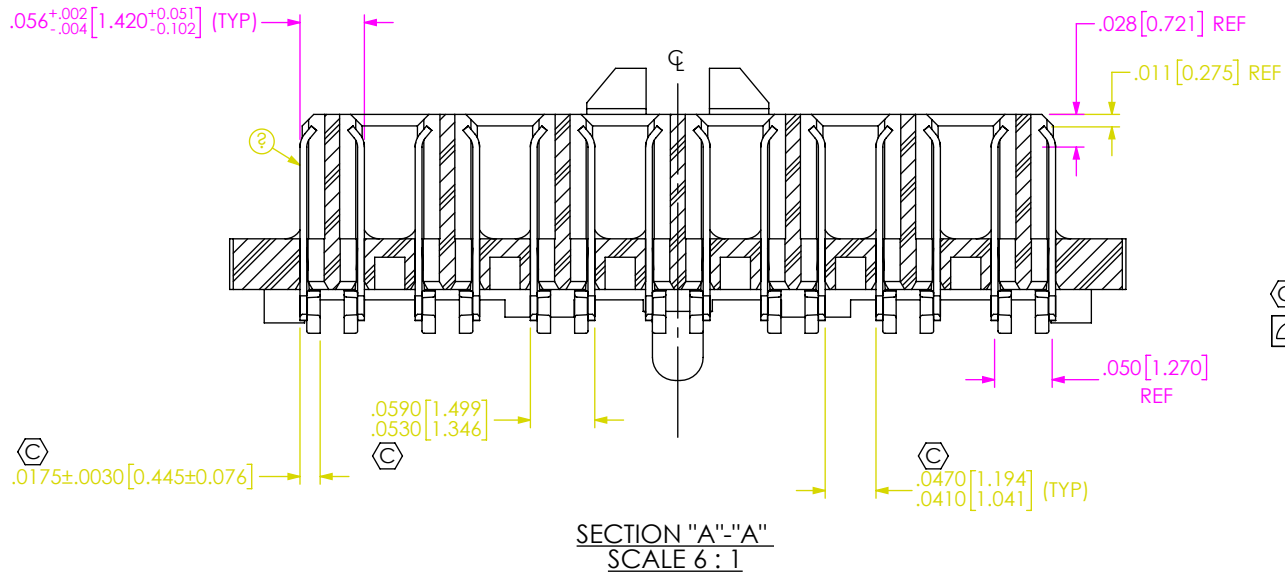



BY SIGNING THIS DOCUMENT YOU ARE ACCEPTING THE CONDITIONS SET WITHIN. YOUR REQUIREMENTS MUST BE LISTED WITHIN THIS DRAWING. WHERE NO DIRECTION FROM THE CUSTOMER IS IDENTIFIED SAMTEC'S PROCESS REQUIREMENTS WILL BE USED.

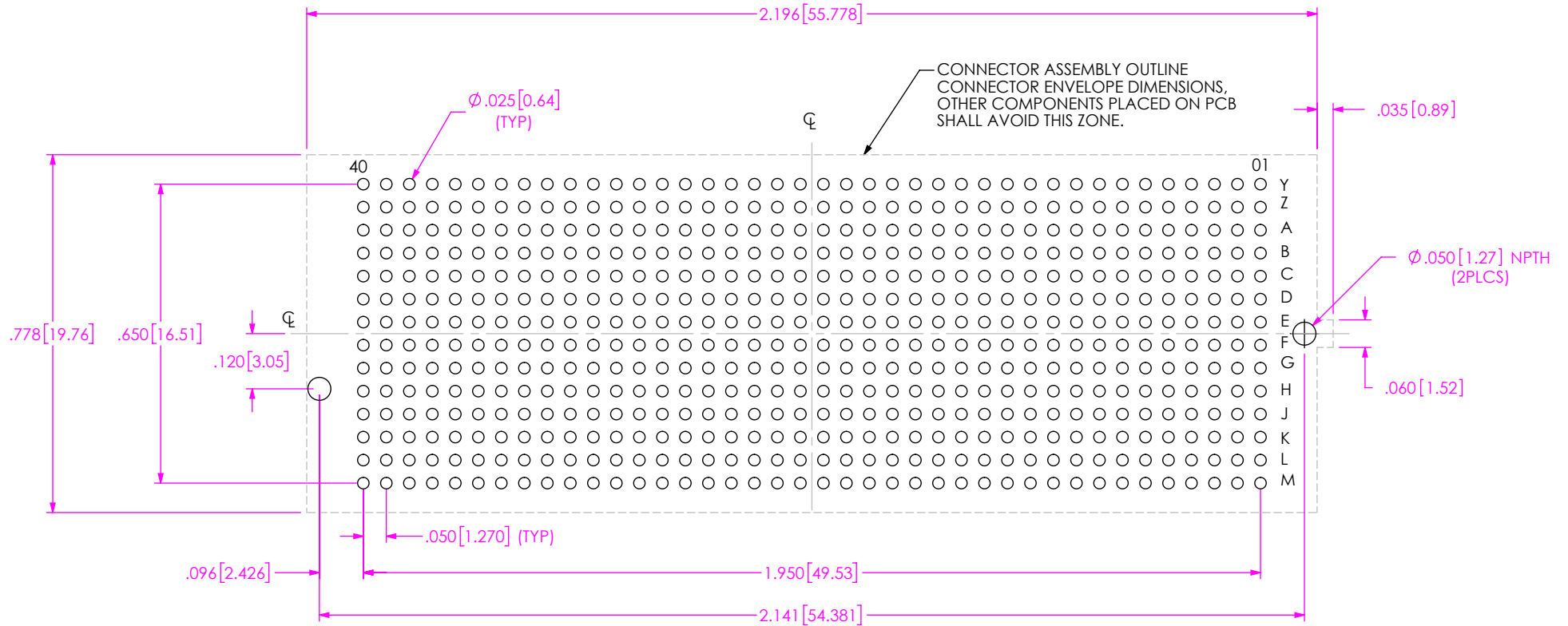
DATE: \_\_\_\_\_  
 COMPANY: \_\_\_\_\_  
 CUSTOMER SIGNATURE: \_\_\_\_\_  
 PRINTED NAME: \_\_\_\_\_  
 PHONE NO: \_\_\_\_\_  
 EXCEPTIONS: \_\_\_\_\_

ITEM NO.	PART NUMBER	QUANTITY	MATERIAL
1	SEAM-40-02.0-14-A	1.0000	LCP, UL 94 VO, COLOR: BLACK
2	NEW-SUB-T-1M36-02.0-S-2	560.00	COPPER ALLOY / LEAD FREE SOLDER $\text{\textcircled{C}}$
3	K-DOT-.404-.500-.005	1.0000	POLYIMIDE FILM
4	CT-SEAM185MS	1.0000	CONDUCTIVE POLYMER

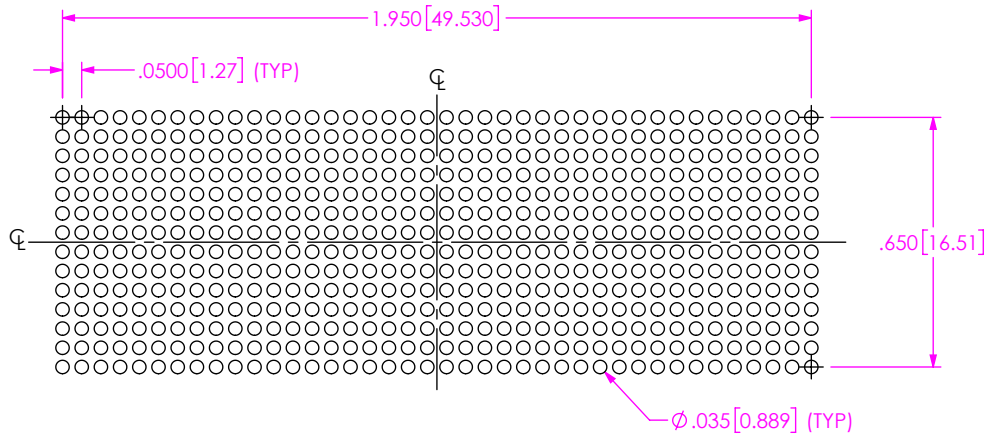
UNLESS OTHERWISE SPECIFIED, DIMENSIONS ARE IN INCHES. TOLERANCES ARE: DECIMALS ANGLES .XX: ±.01 [0.3] 2° .XXX: ±.005 [0.13] .XXXX: ±.0020 [0.051]	* PROPRIETARY NOTE THIS DOCUMENT CONTAINS CONFIDENTIAL AND PROPRIETARY INFORMATION AND ALL DESIGN, MANUFACTURING, REPRODUCTION, USE, PATENT RIGHTS AND SALES RIGHTS ARE EXPRESSLY RESERVED BY SAMTEC, INC. THIS DOCUMENT SHALL NOT BE DISCLOSED, IN WHOLE OR PART, TO ANY UNAUTHORIZED PERSON OR ENTITY NOR REPRODUCED, TRANSFERRED OR INCORPORATED IN ANY OTHER PROJECT IN ANY MANNER WITHOUT THE EXPRESS WRITTEN CONSENT OF SAMTEC, INC.	520 PARK EAST BLVD, NEW ALBANY, IN 47150 PHONE: 812-944-6733 FAX: 812-948-5047 e-Mail: info@SAMTEC.com code 55322
	DO NOT SCALE DRAWING SHEET SCALE: 2:1	
PLATING: CONTACT AREA: .00030 GOLD OVER .00050 NICKEL REMAINDER: .000200 REF TIN OVER .00050 NICKEL	DWG. NO. ASP-188588-01	BY: BEE LI 06/12/2016 SHEET 1 OF 4
F:\DWG\MISC\MKTG\ASP-188588-01-MKT.SLDDRW		



<p><b>PROPRIETARY NOTE</b></p> <p>THIS DOCUMENT CONTAINS CONFIDENTIAL AND PROPRIETARY INFORMATION AND ALL DESIGN, MANUFACTURING, REPRODUCTION, USE, PATENT RIGHTS AND SALES RIGHTS ARE EXPRESSLY RESERVED BY SAMTEC, INC. THIS DOCUMENT SHALL NOT BE DISCLOSED, IN WHOLE OR PART, TO ANY UNAUTHORIZED PERSON OR ENTITY NOR REPRODUCED, TRANSFERRED OR INCORPORATED IN ANY OTHER PROJECT IN ANY MANNER WITHOUT THE EXPRESS WRITTEN CONSENT OF SAMTEC, INC.</p> <p>DO NOT SCALE DRAWING</p> <p>SHEET SCALE: 2:1</p>	 <p>520 PARK EAST BLVD, NEW ALBANY, IN 47150 PHONE: 812-944-6733 FAX: 812-948-5047 e-Mail info@SAMTEC.com code 55322</p>
<p>F:\DWG\MISC\MKTG\ASP-188588-01-MKT.SLDDRW</p>	<p>BY: BEE LI      06/12/2016      SHEET 2 OF 4</p>



RECOMMENDED PCB LAYOUT  
ALL DIMENSIONS ARE SYMMETRIC ABOUT THE CENTERLINE



RECOMMENDED STENCIL LAYOUT  
ALL DIMENSIONS ARE SYMMETRIC ABOUT THE CENTERLINE  
STENCIL TO BE .0060 [1.52] THICK

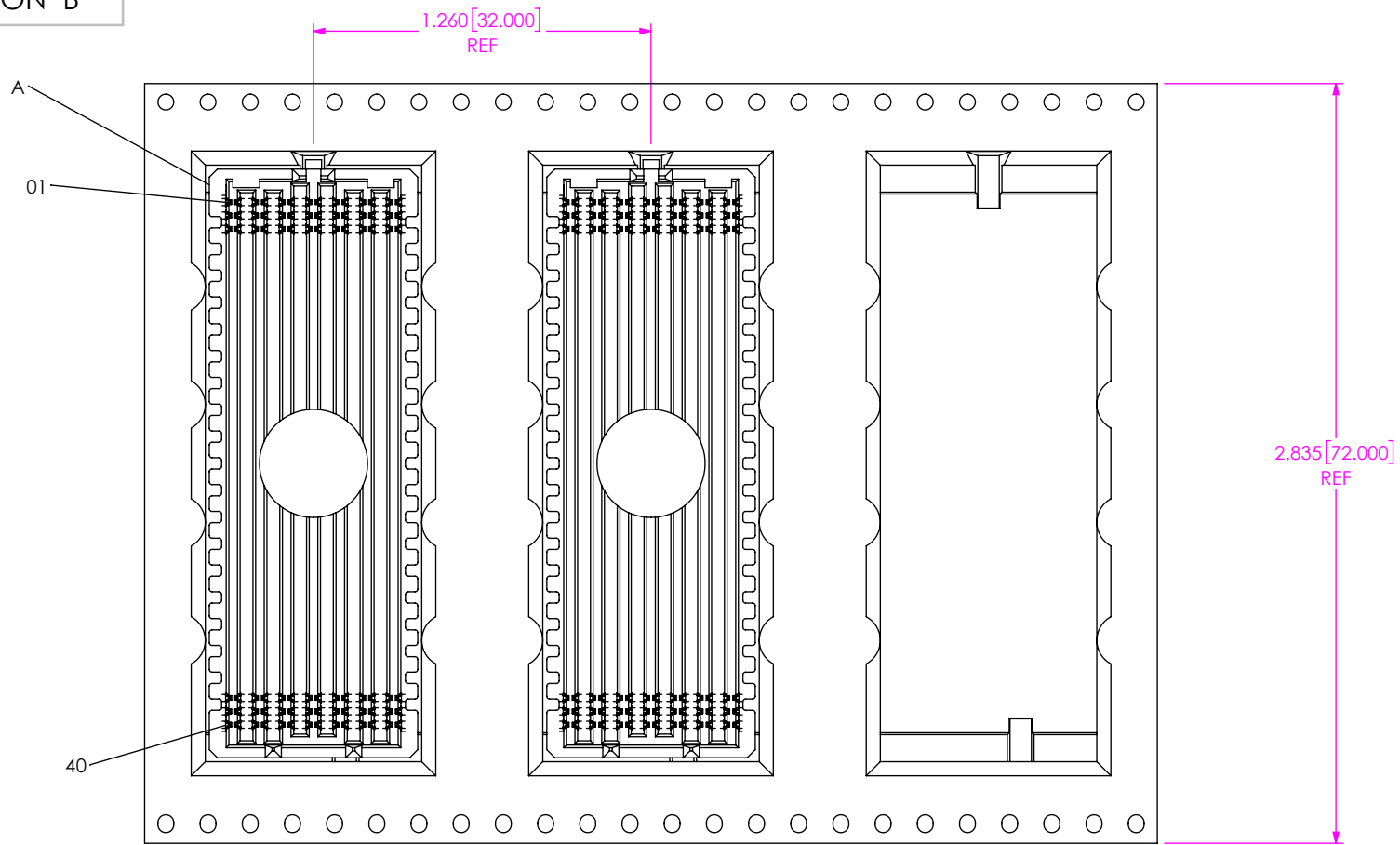
**PROPRIETARY NOTE**  
THIS DOCUMENT CONTAINS CONFIDENTIAL AND PROPRIETARY INFORMATION AND ALL DESIGN, MANUFACTURING, REPRODUCTION, USE, PATENT RIGHTS AND SALES RIGHTS ARE EXPRESSLY RESERVED BY SAMTEC, INC. THIS DOCUMENT SHALL NOT BE DISCLOSED, IN WHOLE OR PART, TO ANY UNAUTHORIZED PERSON OR ENTITY NOR REPRODUCED, TRANSFERRED OR INCORPORATED IN ANY OTHER PROJECT IN ANY MANNER WITHOUT THE EXPRESS WRITTEN CONSENT OF SAMTEC, INC.

**samtec**  
520 PARK EAST BLVD., NEW ALBANY, IN 47150  
PHONE: 812-944-6733 FAX: 812-948-5047  
e-Mail info@SAMTEC.com code 55322

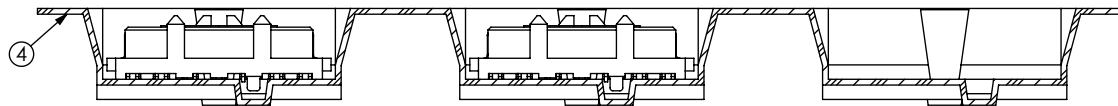
SHEET SCALE: 3:1

DESCRIPTION:  
MODIFIED SEAM ASSEMBLY

DWG. NO.  
ASP-188588-01



USER DIRECTION OF UN-REELING →  
POCKET NOT DETAILED



PACKAGING VIEW

**PROPRIETARY NOTE**  
 \* THIS DOCUMENT CONTAINS CONFIDENTIAL AND PROPRIETARY INFORMATION AND ALL DESIGN, MANUFACTURING, REPRODUCTION, USE, PATENT RIGHTS AND SALES RIGHTS ARE EXPRESSLY RESERVED BY SAMTEC, INC. THIS DOCUMENT SHALL NOT BE DISCLOSED, IN WHOLE OR PART, TO ANY UNAUTHORIZED PERSON OR ENTITY NOR REPRODUCED, TRANSFERRED OR INCORPORATED IN ANY OTHER PROJECT IN ANY MANNER WITHOUT THE EXPRESS WRITTEN CONSENT OF SAMTEC, INC. \*



520 PARK EAST BLVD., NEW ALBANY, IN 47150  
 PHONE: 812-944-6733 FAX: 812-948-5047  
 e-Mail: info@SAMTEC.com code 55322

SHEET SCALE: 3:1

DESCRIPTION: MODIFIED SEAM ASSEMBLY

DWG. NO. ASP-188588-01