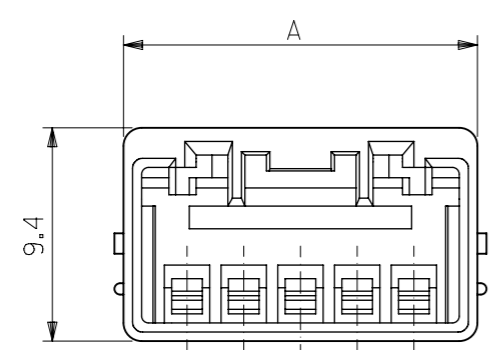
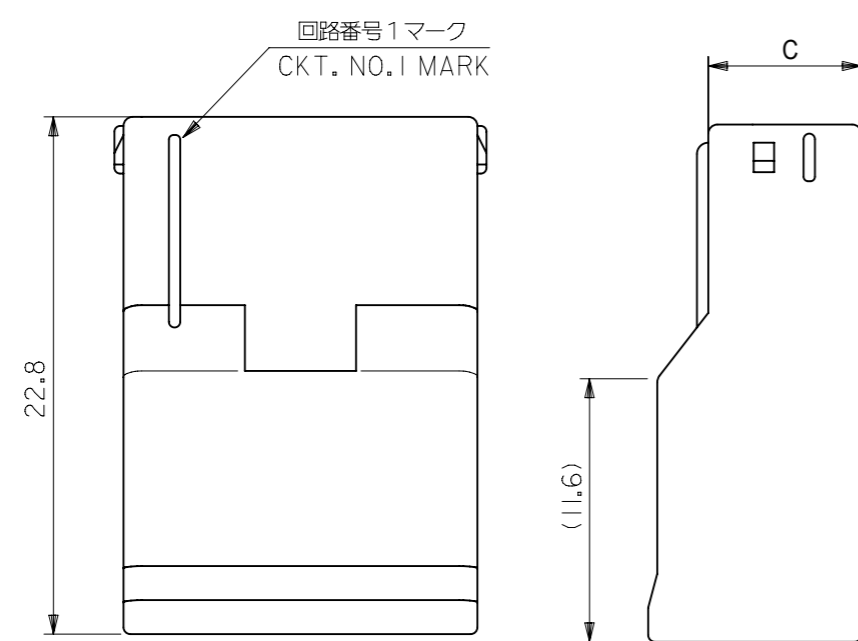
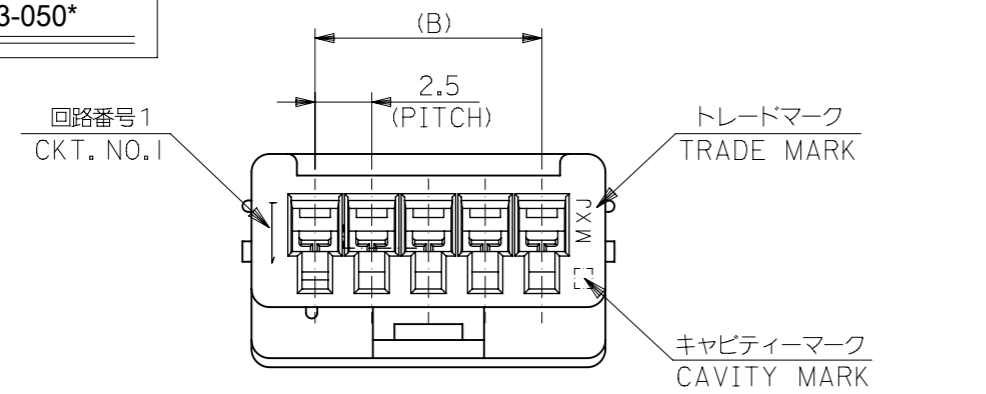
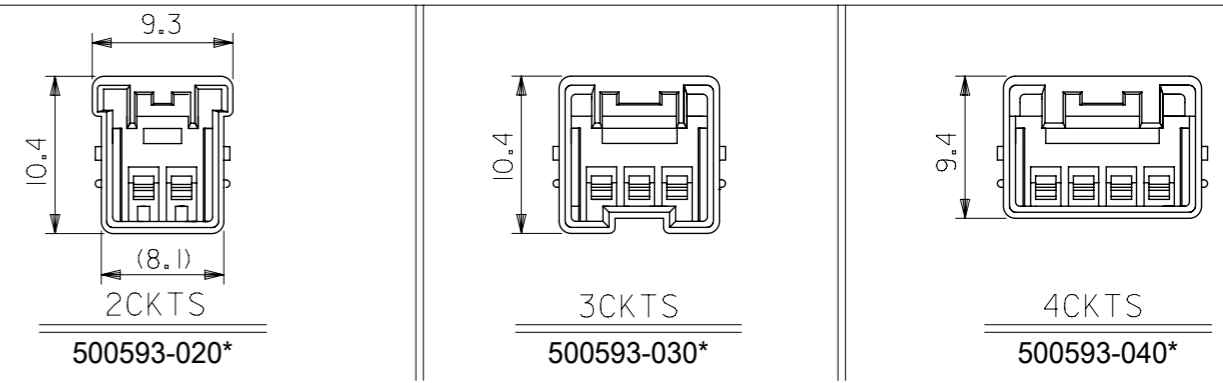


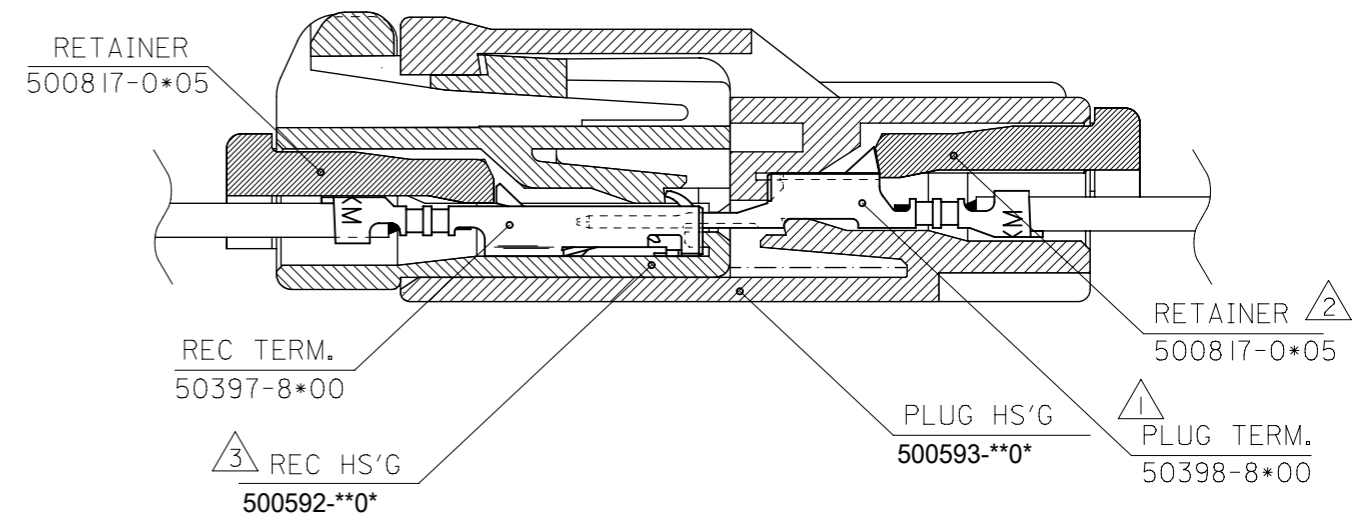
SHAPE OF  
500593-050\*



4極以下の極数レイアウト図  
LAYOUT OF 2/3/4CKTS.



ターミナル装着状態図  
TERMINAL ASSEMBLY DRAWING



注記  
NOTES

- ① 適合ターミナル：50398シリーズ  
APPLICABLE TERMINAL：50398 SERIES
- ② 適合リテーナー：500817シリーズ  
APPLICABLE RETAINER：500817 SERIES
- ③ 嵌合相手：500592シリーズ  
MATE WITH：500592 SERIES
- 4. 材質：PBT (UL94V-0)  
MATERIAL：PBT(UL94V-0)

5. MATERIAL NO.は以下の内容を示す。  
MATERIAL NO.:

500593-\*\*0\*

極数 CKT	色 COLOR
0	自然色 NATURAL
1	黒 BLACK
2	赤 RED
3	黄色 YELLOW
4	青 BLUE
6	緑 GREEN

FUNCTIONAL SYMBOLS		THIS DRAWING CONTAINS INFORMATION THAT IS PROPRIETARY TO MOLEX ELECTRONIC TECHNOLOGIES, LLC AND SHOULD NOT BE USED WITHOUT WRITTEN PERMISSION		500593-**0*		MODEL NO.	
▽A = 0	MM	SCALE	1:1	<p style="text-align: center; font-size: 2em; font-weight: bold;">molex</p> <p style="text-align: center;">2.5MM WIRE TO WIRE CONN. PLUG HOUSING</p> <p style="text-align: center;">PRODUCT CUSTOMER DRAWING</p>			
▽E = 0	GENERAL TOLERANCES (UNLESS SPECIFIED)		EC NO: 726454				
▽F = 0	ANGULAR TOL ± 3.0°		DRWN: LIKITV 2022/10/20				
DIVISIONAL SYMBOLS		CURRENT REV DESC: OBSOLETE PART NUMBERS AS PER PCN#510807		3 PLACES ± 0.25		2022/11/30	
4 PLACES ± 0.2		CHK'D: GGA		2 PLACES ± 0.3		2022/11/30	
1 PLACE ±		INITIAL REVISION:		1 PLACE ±		2005/04/07	
0 PLACES ±		DRWN: U.MUMEDA		2 PLACES ±		2015/04/27	
DRAFT WHERE APPLICABLE MUST REMAIN WITHIN DIMENSIONS		THIRD ANGLE PROJECTION		DRAWING		SERIES	
		A3-SIZE		500593		MATERIAL NUMBER	
		SEE CHART		CUSTOMER		GENERAL MARKET	
		1 OF 2		DOCUMENT NUMBER		DOC TYPE   DOC PART   REVISION	
		SD-500593-001		PSD		001   C1	



500592-080*	500817-0805	6.75	17.5	23.1	8	— // —	— // —	— // —	500593-0800	500593-**0*
↙ -070*	↙ -0705	↙	15	20.6	7	— // —	— // —	— // —	↙ -0700	
↙ -060*	↙ -0605	↙	12.5	18.1	6	— // —	— // —	— // —	↙ -0600	
↙ -050*	↙ -0505		10	15.6	5	— // —	— // —	— // —	↙ -0500	
↙ -040*	↙ -0405	6.75	7.5	13.1	4	— // —	— // —	— // —	↙ -0400	
↙ -030*	↙ -0305	7.75	5	10.6	3	500593-0304	— // —	500593-0301	↙ -0300	
500592-020*	500817-0205	7.75	2.5	8.1	2	500593-0204	500593-0202	500593-0201	500593-0200	MODEL NO.
MATE WITH	CONFORTABLE-RETAINER	C	B	A	CKT.	BLUE	RED	BLACK	NATURAL	

THIS DRAWING CONTAINS INFORMATION THAT IS PROPRIETARY TO MOLEX ELECTRONIC TECHNOLOGIES, LLC AND SHOULD NOT BE USED WITHOUT WRITTEN PERMISSION									
FUNCTIONAL SYMBOLS	DIMENSION UNITS	SCALE	CURRENT REV DESC: OBSOLETE PART NUMBERS AS PER PCN#510807						
▽/A = 0	MM	3:1	<b>molex</b> 2.5MM WIRE TO WIRE CONN. PLUG HOUSING PRODUCT CUSTOMER DRAWING						
▽/E = 0	GENERAL TOLERANCES (UNLESS SPECIFIED)								
▽/V = 0	ANGULAR TOL ± 3.0 °								
DIVISIONAL SYMBOLS	4 PLACES	± 0.2	EC NO: 726454	2022/10/20	DOCUMENT NUMBER: SD-500593-001 DOC TYPE: PSD DOC PART: 001 REVISION: C1				
	3 PLACES	± 0.25	DRWN: LIKITV	2022/11/30					
	2 PLACES	± 0.3	CHK'D: GGA	2022/11/30					
	1 PLACE	±	APPR: GGA	2022/11/30	INITIAL REVISION:		2005/04/07 2015/04/27		
	0 PLACES	±	DRWN: U.MUMEDA	2015/04/27	APPR: KASAKAWA				
DRAFT WHERE APPLICABLE MUST REMAIN WITHIN DIMENSIONS			THIRD ANGLE PROJECTION	DRAWING	SERIES	MATERIAL NUMBER	CUSTOMER	SHEET NUMBER	
				A3-SIZE	500593	SEE CHART	GENERAL MARKET	2 OF 2	

DOCUMENT STATUS	P1	RELEASE DATE	2022/11/30	11:33:22
-----------------	----	--------------	------------	----------