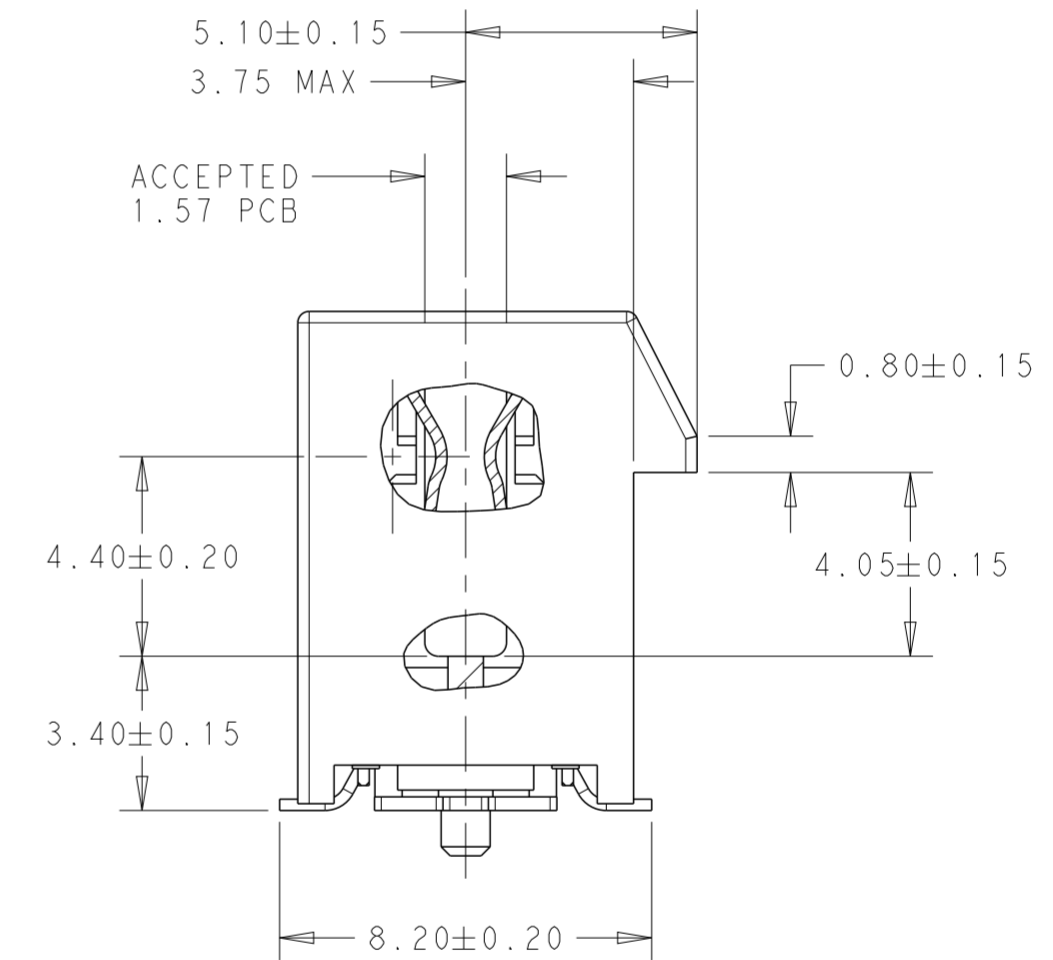
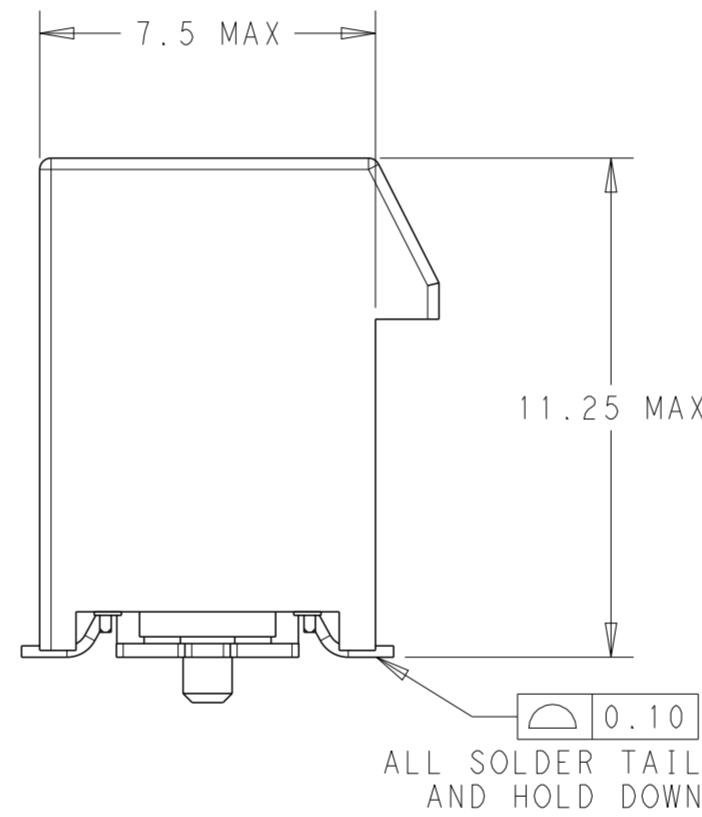
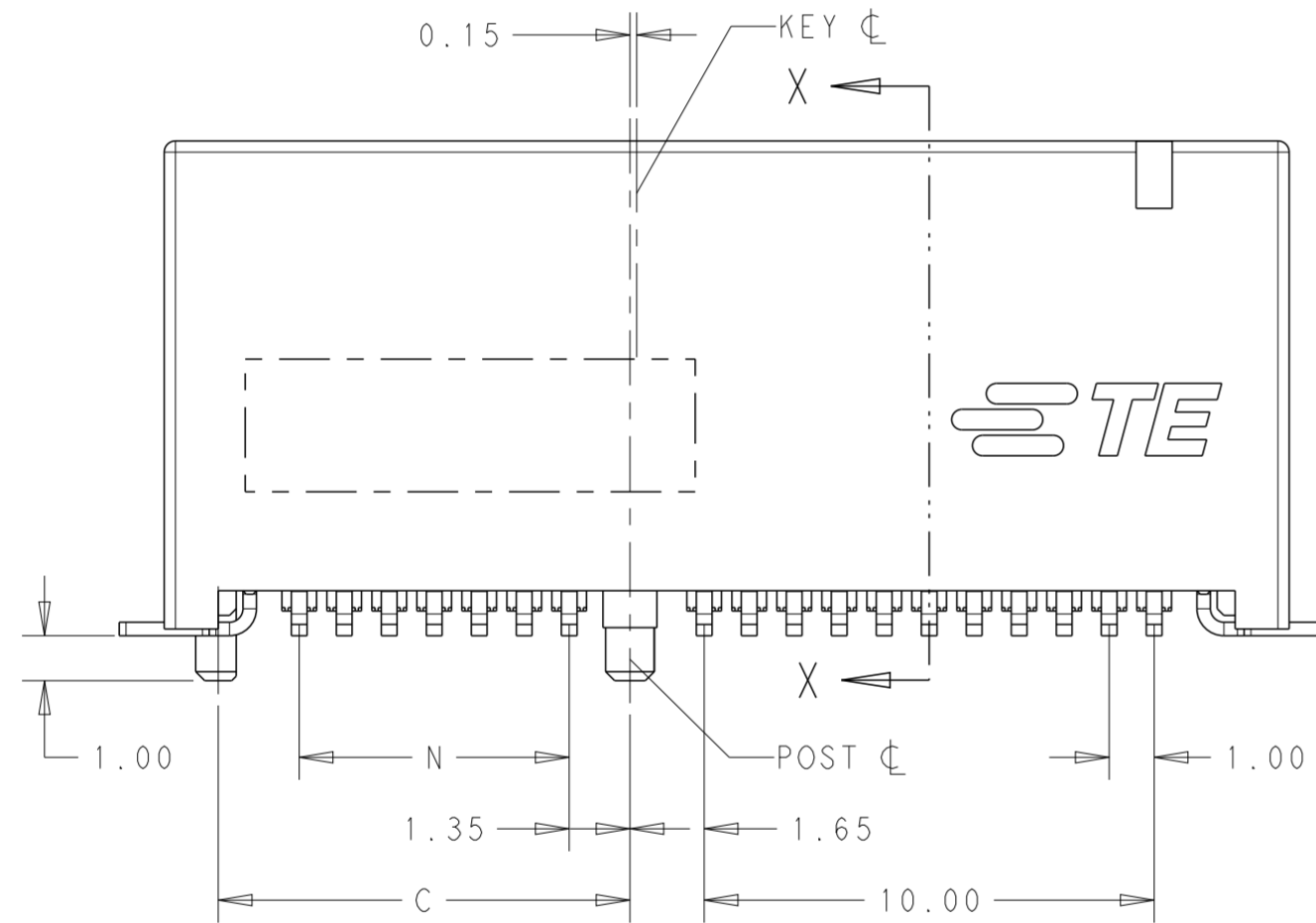
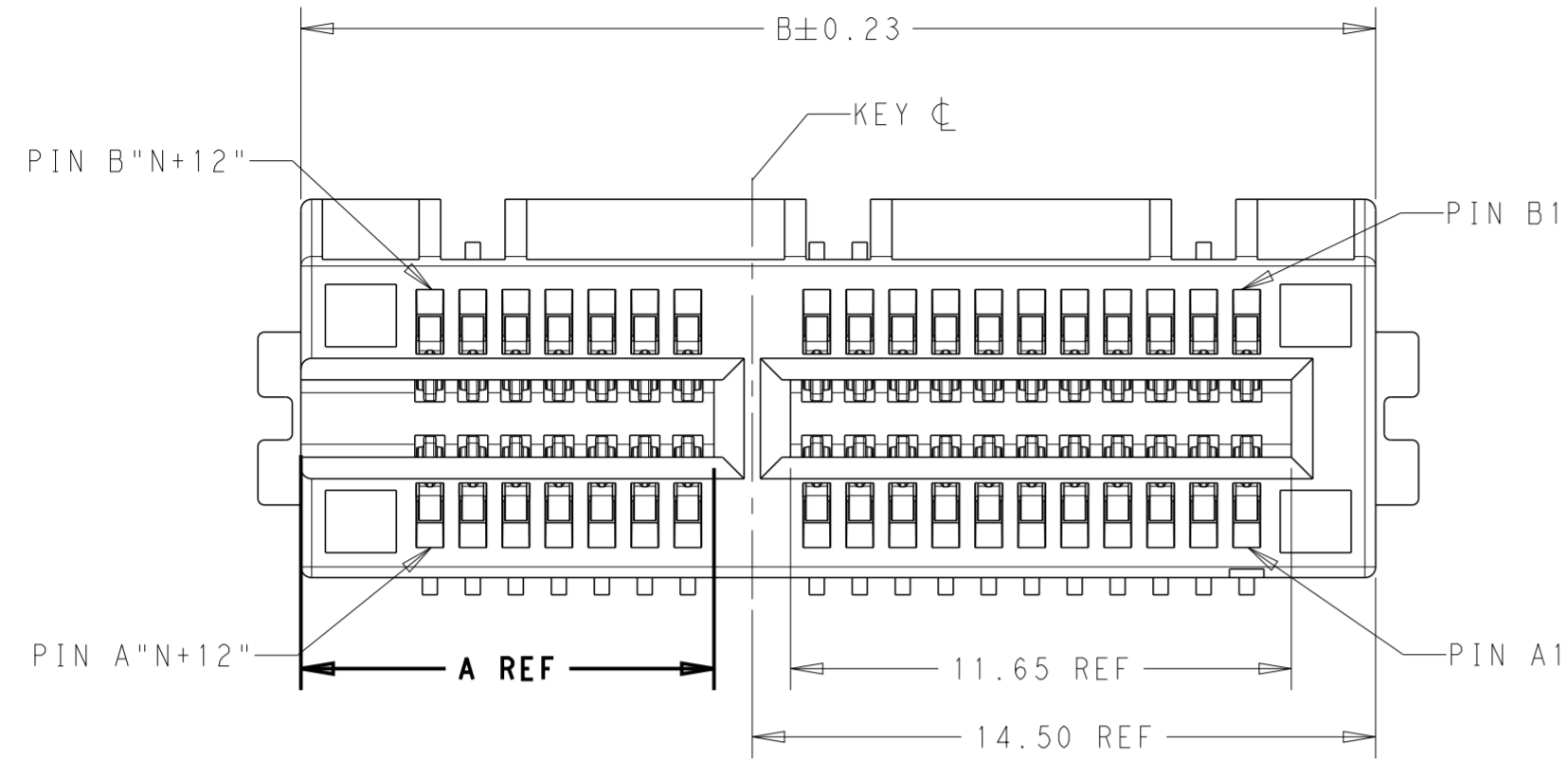


THIS DRAWING IS UNPUBLISHED. RELEASED FOR PUBLICATION 20  
 © COPYRIGHT 20 BY - ALL RIGHTS RESERVED.

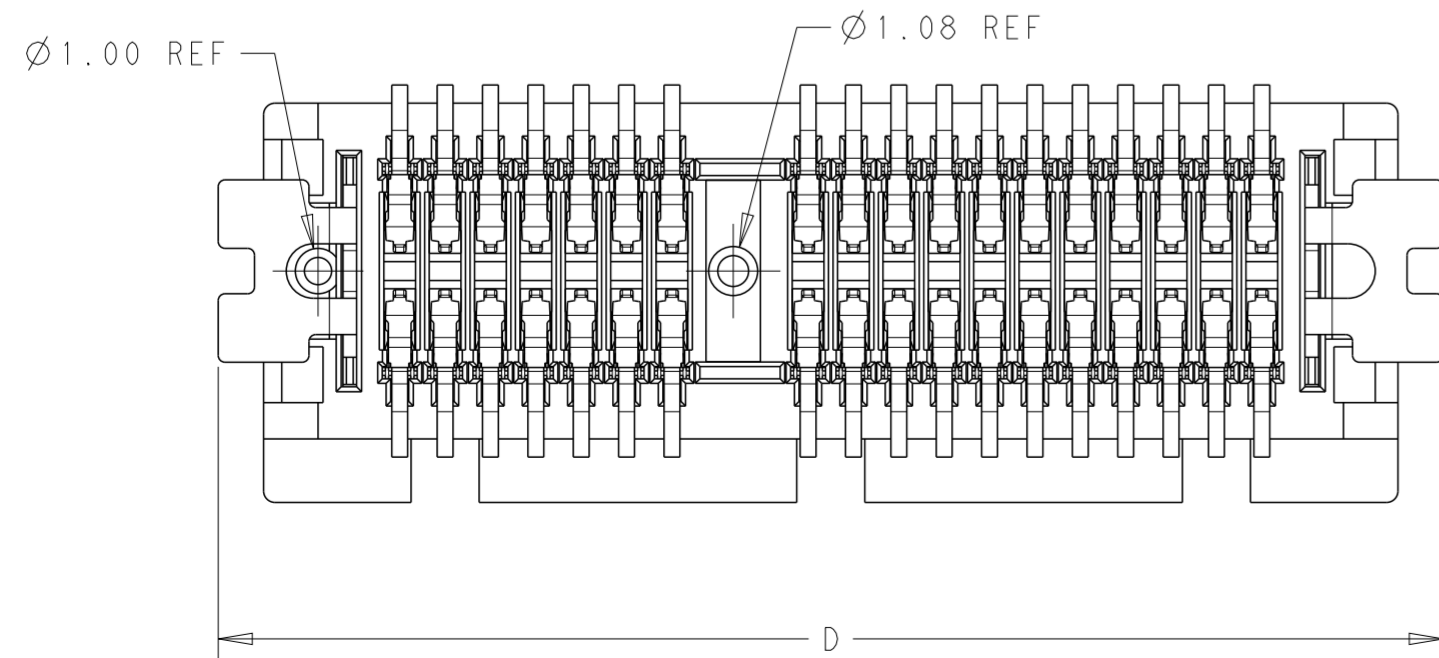
| REVISIONS |     |               |           |     |      |
|-----------|-----|---------------|-----------|-----|------|
| P         | LTR | DESCRIPTION   | DATE      | DWN | APVD |
| C         |     | ECR-21-119335 | 26JUN2022 | TL  | HL   |
|           |     |               |           |     |      |
|           |     |               |           |     |      |

NOTES:

- 1 MATERIAL:  
HOUSING: LCP UL94V-0; BLACK  
CONTACT: COPPER ALLOY  
HOLD DOWN: BRASS
- 2 FINISH:  
(SEE TABLE)um GOLD PLATING ON CONTACT AREA.  
2.54um MATTE-TIN PLATING ON SOLDER TAIL AREA.  
1.27um NICKEL UNDERPLATING OVERALL.



SECTION X-X  
SCALE 6:1




|  |  |                             |   |  |
|--|--|-----------------------------|---|--|
| THIS DRAWING IS A CONTROLLED DOCUMENT. |  | DWN SANDERS YAN 08 JAN 2019 | TE Connectivity   |  |
| DIMENSIONS: mm                         |  | CHK HOPE LU 08 JAN 2019     |   |  |
| TOLERANCES UNLESS OTHERWISE SPECIFIED: |  | APVD HOPE LU 08 JAN 2019    | NAME PCI EXPRESS GEN4 CARD EDGE CONNECTOR ONE SIDE OPEN |  |
| 0 PLC ±                                |  | PRODUCT SPEC -              | SIZE CAGE CODE DRAWING NO RESTRICTED TO                 |  |
| 1 PLC ±0.3                             |  | APPLICATION SPEC -          | A200779 C-2349820                                       |  |
| 2 PLC ±0.20                            |  | WEIGHT -                    | SCALE 3:1 SHEET 1 OF 6 REV C                            |  |
| 3 PLC ±0.050                           |  | CUSTOMER DRAWING            |   |  |
| 4 PLC ±                                |  |                             |   |  |
| ANGLES ±                               |  |                             |   |  |
| FINISH                                 |  |                             |   |  |

THIS DRAWING IS UNPUBLISHED. RELEASED FOR PUBLICATION 20  
 © COPYRIGHT 20 BY - ALL RIGHTS RESERVED.

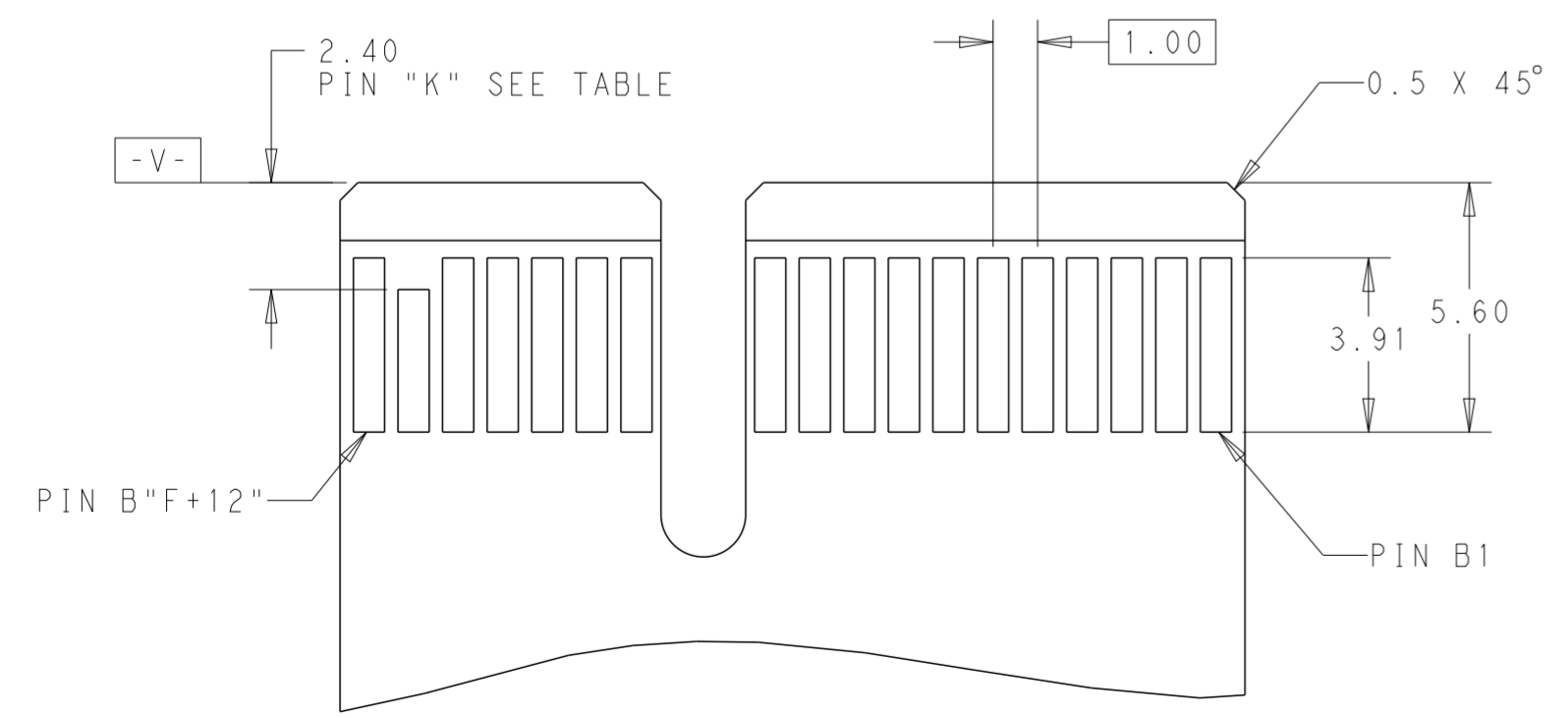
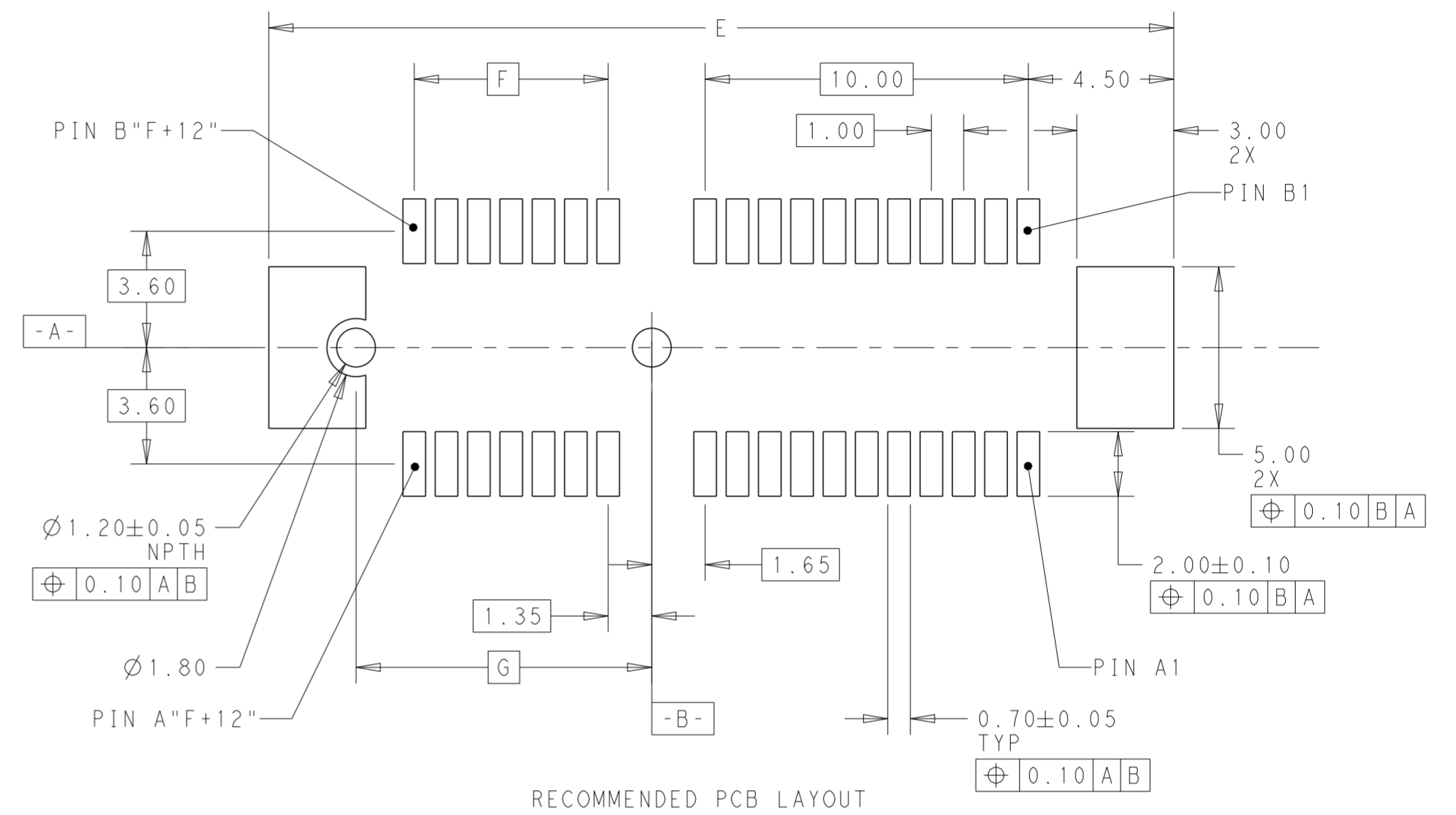
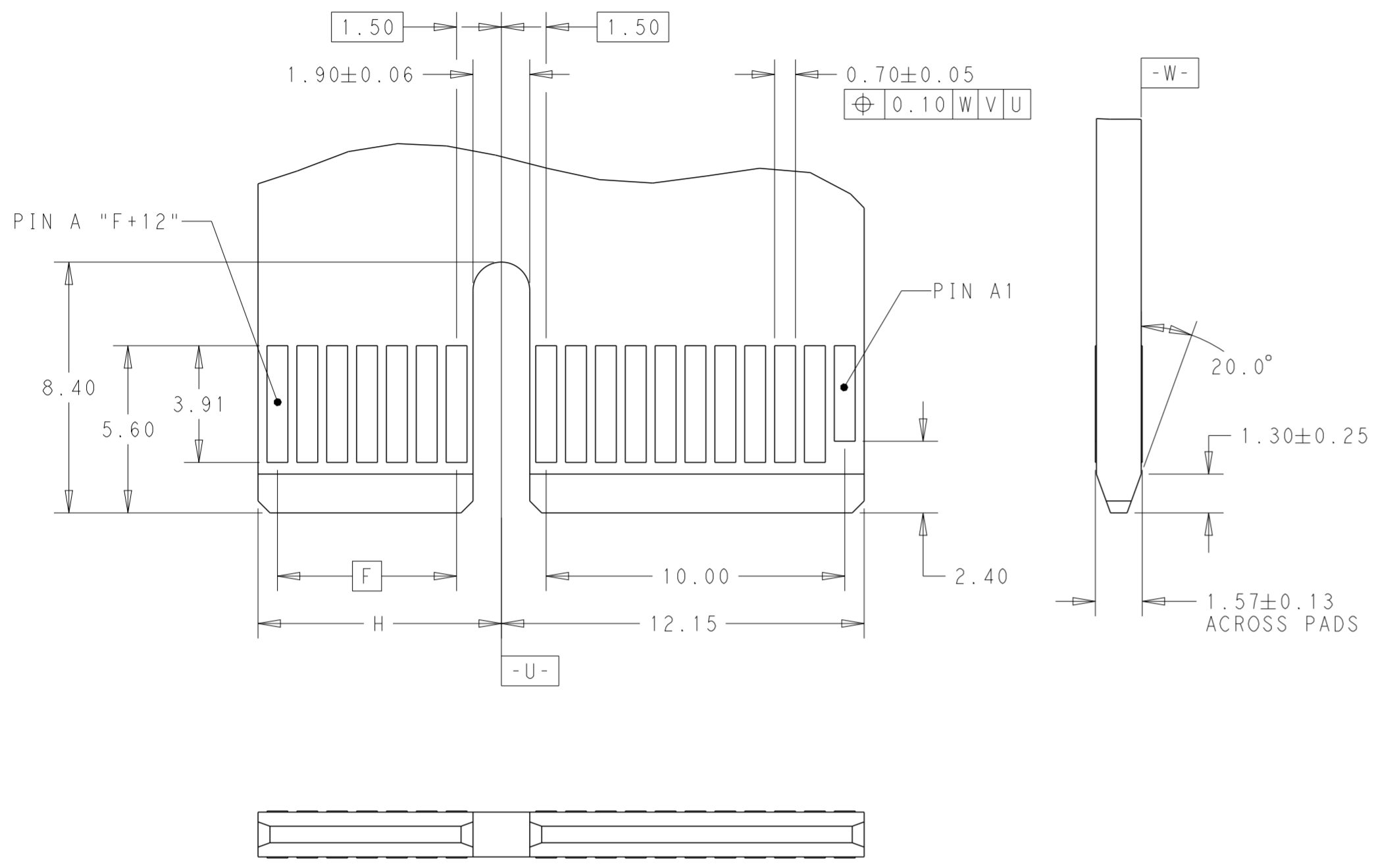
| REVISIONS |     |             |      |      |
|-----------|-----|-------------|------|------|
| P         | LTR | DESCRIPTION | DATE | APVD |
| -         |     | SEE SHEET 1 | -    | -    |
|           |     |             |      |      |
|           |     |             |      |      |

|              |              |              |                     |     |      |    |    |       |    |       |      |             |
|--------------|--------------|--------------|---------------------|-----|------|----|----|-------|----|-------|------|-------------|
| PACKAGE 4    | 108-60121    | 30u"         | 53.5                | 8.0 | 28   | 58 | 37 | 40.15 | 56 | 40.61 | 98   | 7-2349820-7 |
| PACKAGE 1    |              | 30u"         | 86.5                |     | 44.5 | 91 | 70 | 73.15 | 89 | 73.61 | 164  | 5-2349820-8 |
| PACKAGE 2    |              | 30u"         | 53.5                |     | 28   | 58 | 37 | 40.15 | 56 | 40.61 | 98   | 5-2349820-7 |
| PACKAGE 3    |              | 30u"         | 36.5                |     | 19.5 | 41 | 20 | 23.15 | 39 | 23.61 | 64   | 5-2349820-6 |
| TBD          |              | 30u"         | 22.5                |     | 12.5 | 27 | 6  | 9.15  | 25 | 9.61  | 36   | 5-2349820-5 |
| PACKAGE 1    |              | 30u"         | 10.0                |     | 44.5 | 91 | 70 | 73.15 | 89 | 73.61 | 164  | 5-2349820-4 |
| PACKAGE 2    |              | 30u"         | 10.0                |     | 28   | 58 | 37 | 40.15 | 56 | 40.61 | 98   | 5-2349820-3 |
| PACKAGE 3    |              | 30u"         | 10.0                |     | 19.5 | 41 | 20 | 23.15 | 39 | 23.61 | 64   | 5-2349820-2 |
| TBD          |              | 30u"         | 10.0                |     | 12.5 | 27 | 6  | 9.15  | 25 | 9.61  | 36   | 5-2349820-1 |
| PACKAGE 1    | 108-60121-1  | 15u"         | 86.5                | 8.0 | 44.5 | 91 | 70 | 73.15 | 89 | 73.61 | 164  | 4-2349820-8 |
| PACKAGE 2    |              | 15u"         | 53.5                |     | 28   | 58 | 37 | 40.15 | 56 | 40.61 | 98   | 4-2349820-7 |
| PACKAGE 3    |              | 15u"         | 36.5                |     | 19.5 | 41 | 20 | 23.15 | 39 | 23.61 | 64   | 4-2349820-6 |
| TBD          |              | 15u"         | 22.5                |     | 12.5 | 27 | 6  | 9.15  | 25 | 9.61  | 36   | 4-2349820-5 |
| PACKAGE 1    |              | 15u"         | 10.0                |     | 44.5 | 91 | 70 | 73.15 | 89 | 73.61 | 164  | 4-2349820-4 |
| PACKAGE 2    |              | 15u"         | 10.0                |     | 28   | 58 | 37 | 40.15 | 56 | 40.61 | 98   | 4-2349820-3 |
| PACKAGE 3    |              | 15u"         | 10.0                |     | 19.5 | 41 | 20 | 23.15 | 39 | 23.61 | 64   | 4-2349820-2 |
| TBD          |              | 15u"         | 10.0                |     | 12.5 | 27 | 6  | 9.15  | 25 | 9.61  | 36   | 4-2349820-1 |
| PACKAGE 1    |              | G/F          | 86.5                |     | 44.5 | 91 | 70 | 73.15 | 89 | 73.61 | 164  | 3-2349820-8 |
| PACKAGE 2    |              | G/F          | 53.5                |     | 28   | 58 | 37 | 40.15 | 56 | 40.61 | 98   | 3-2349820-7 |
| PACKAGE 3    |              | G/F          | 36.5                |     | 19.5 | 41 | 20 | 23.15 | 39 | 23.61 | 64   | 3-2349820-6 |
| TBD          |              | G/F          | 22.5                |     | 12.5 | 27 | 6  | 9.15  | 25 | 9.61  | 36   | 3-2349820-5 |
| PACKAGE 1    |              | G/F          | 10.0                |     | 44.5 | 91 | 70 | 73.15 | 89 | 73.61 | 164  | 3-2349820-4 |
| PACKAGE 2    |              | G/F          | 10.0                |     | 28   | 58 | 37 | 40.15 | 56 | 40.61 | 98   | 3-2349820-3 |
| PACKAGE 3    |              | G/F          | 10.0                |     | 19.5 | 41 | 20 | 23.15 | 39 | 23.61 | 64   | 3-2349820-2 |
| TBD          |              | G/F          | 10.0                |     | 12.5 | 27 | 6  | 9.15  | 25 | 9.61  | 36   | 3-2349820-1 |
| PACKAGE 1    | 108-60121    | 30u"         | NA                  |     | 44.5 | 91 | 70 | 73.15 | 89 | 73.61 | 164  | 2-2349820-4 |
| PACKAGE 2    |              | 30u"         | NA                  |     | 28   | 58 | 37 | 40.15 | 56 | 40.61 | 98   | 2-2349820-3 |
| PACKAGE 3    |              | 30u"         | NA                  |     | 19.5 | 41 | 20 | 23.15 | 39 | 23.61 | 64   | 2-2349820-2 |
| TBD          |              | 30u"         | NA                  |     | 12.5 | 27 | 6  | 9.15  | 25 | 9.61  | 36   | 2-2349820-1 |
| PACKAGE 1    | 108-60121-1  | 15u"         | NA                  |     | 44.5 | 91 | 70 | 73.15 | 89 | 73.61 | 164  | 6-2349820-4 |
| PACKAGE 2    |              | 15u"         | NA                  |     | 28   | 58 | 37 | 40.15 | 56 | 40.61 | 98   | 6-2349820-3 |
| PACKAGE 3    |              | 15u"         | NA                  |     | 19.5 | 41 | 20 | 23.15 | 39 | 23.61 | 64   | 6-2349820-2 |
| TBD          |              | 15u"         | NA                  |     | 12.5 | 27 | 6  | 9.15  | 25 | 9.61  | 36   | 6-2349820-1 |
| PACKAGE 1    |              | G/F          | NA                  |     | 44.5 | 91 | 70 | 73.15 | 89 | 73.61 | 164  | 2349820-4   |
| PACKAGE 2    |              | G/F          | NA                  |     | 28   | 58 | 37 | 40.15 | 56 | 40.61 | 98   | 2349820-3   |
| PACKAGE 3    |              | G/F          | NA                  |     | 19.5 | 41 | 20 | 23.15 | 39 | 23.61 | 64   | 2349820-2   |
| TBD          |              | G/F          | NA                  |     | 12.5 | 27 | 6  | 9.15  | 25 | 9.61  | 36   | 2349820-1   |
| PACKAGE SPEC | PRODUCT SPEC | GOLD PLATING | W                   | V   | J    | D  | N  | C     | B  | A     | POS. | PART NUMBER |
|              |              |              | MYLAR SIZE (PAGE 4) |     |      |    |    |       |    |       |      |             |

|   |  |                             |   |  |
|---|--|-----------------------------|---|--|
| THIS DRAWING IS A CONTROLLED DOCUMENT.  |  | DWN SANDERS YAN 08 JAN 2019 |  TE Connectivity |  |
| DIMENSIONS: mm  |  | CHK HOPE LU 08 JAN 2019     |   |  |
| TOLERANCES UNLESS OTHERWISE SPECIFIED:  |  | APVD HOPE LU 08 JAN 2019    | NAME PCI EXPRESS GEN4 CARD EDGE CONNECTOR ONE SIDE OPEN   |  |
| 0 PLC ±<br>1 PLC ±0.3<br>2 PLC ±0.20<br>3 PLC ±0.050<br>4 PLC ±<br>ANGLES ±<br>FINISH |  | PRODUCT SPEC                | SIZE CAGE CODE DRAWING NO RESTRICTED TO   |  |
| MATERIAL  |  | APPLICATION SPEC            | A200779 C-2349820   |  |
|   |  | WEIGHT                      | SCALE 3:1 SHEET 2 OF 6 REV C  |  |
|   |  | CUSTOMER DRAWING            |   |  |

THIS DRAWING IS UNPUBLISHED. RELEASED FOR PUBLICATION 20  
 © COPYRIGHT 20 BY - ALL RIGHTS RESERVED.

| REVISIONS |     |             |      |     |      |
|-----------|-----|-------------|------|-----|------|
| P         | LTR | DESCRIPTION | DATE | DWN | APVD |
| -         | -   | SEE SHEET 1 | -    | -   | -    |
|           |     |             |      |     |      |
|           |     |             |      |     |      |



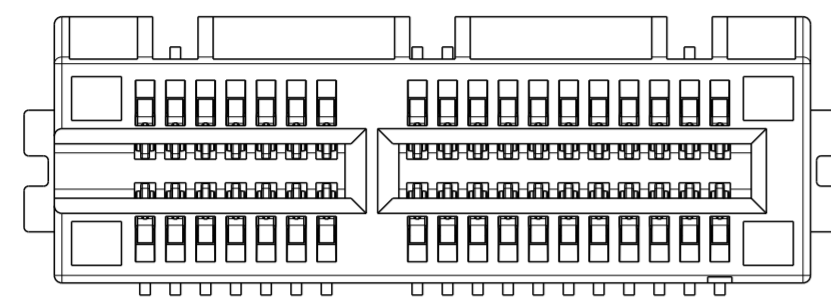
| POS. | DIM. E | DIM. F | DIM. G | DIM. H | "K"                |
|------|--------|--------|--------|--------|--------------------|
| 164  | 92.00  | 70     | 73.15  | 72.15  | A1,B17,B31,B48,B81 |
| 98   | 59.00  | 37     | 40.15  | 39.15  | A1,B17,B31,B48     |
| 64   | 42.00  | 20     | 23.15  | 22.15  | A1,B17,B31         |
| 36   | 28.00  | 6      | 9.15   | 8.15   | A1,B17             |

THIS DRAWING IS A CONTROLLED DOCUMENT.

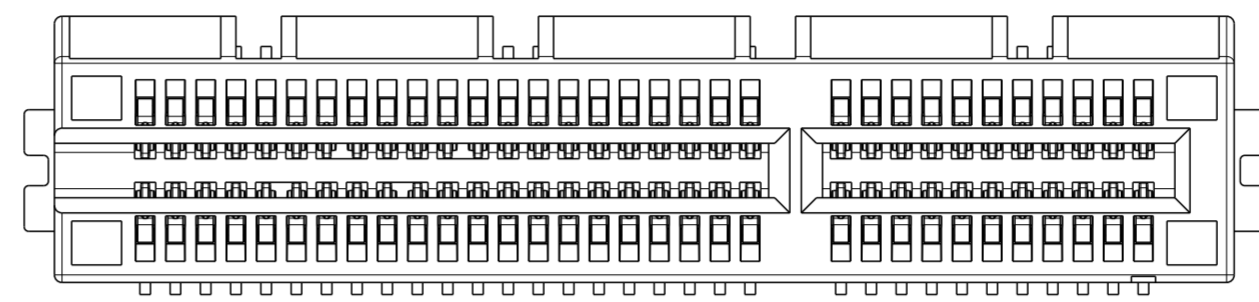
|                           |                     |  |                              |               |
|---------------------------|---------------------|--|------------------------------|---------------|
| DWN SANDERS YAN 08JAN2019 | <br>TE Connectivity | NAME   |                              |               |
| CHK HOPE LU 08JAN2019     |                     | PCI EXPRESS GEN4 CARD EDGE CONNECTOR ONE SIDE OPEN |                              |               |
| APVD HOPE LU 08JAN2019    |                     | SIZE   | CAGE CODE                    | DRAWING NO    |
| PRODUCT SPEC              |                     | A200779  | C-2349820                    | RESTRICTED TO |
| APPLICATION SPEC          | CUSTOMER DRAWING    |  | SCALE 3:1 SHEET 3 OF 6 REV C |               |

THIS DRAWING IS UNPUBLISHED. RELEASED FOR PUBLICATION 20  
 © COPYRIGHT 20 BY - ALL RIGHTS RESERVED.

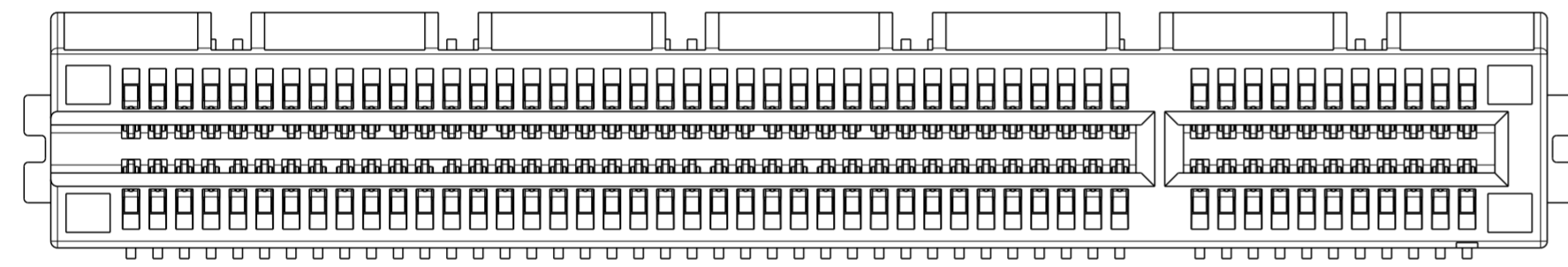
| REVISIONS |     |             |      |      |
|-----------|-----|-------------|------|------|
| P         | LTR | DESCRIPTION | DATE | APVD |
| -         | -   | SEE SHEET 1 | -    | -    |
|           |     |             |      |      |
|           |     |             |      |      |



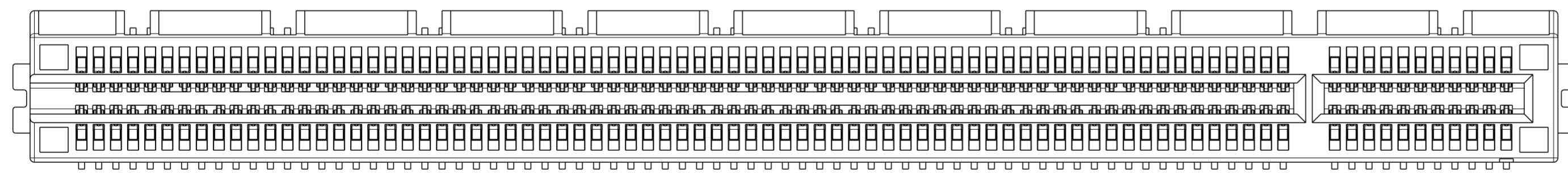
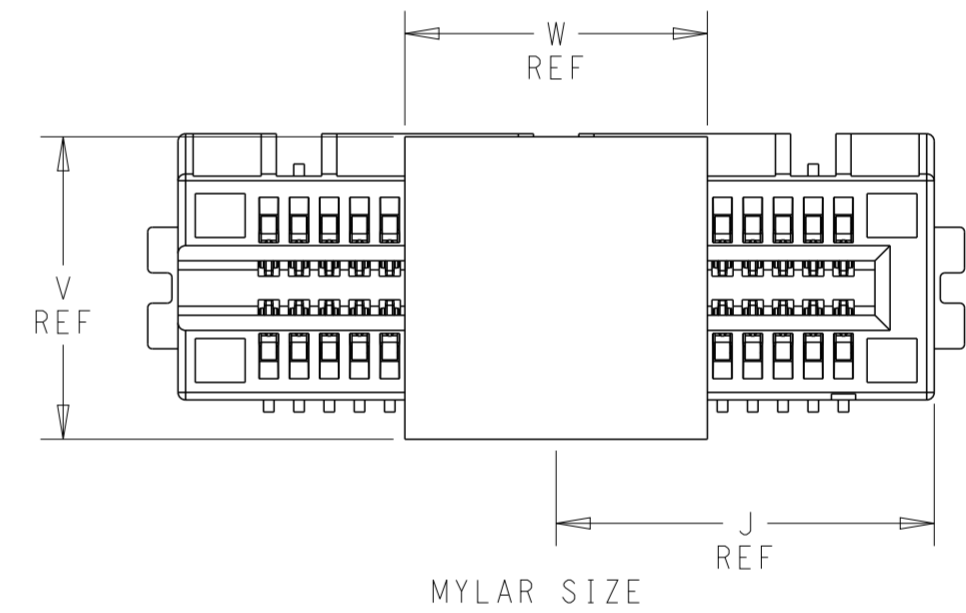
36POS AS SHOWN




64POS AS SHOWN



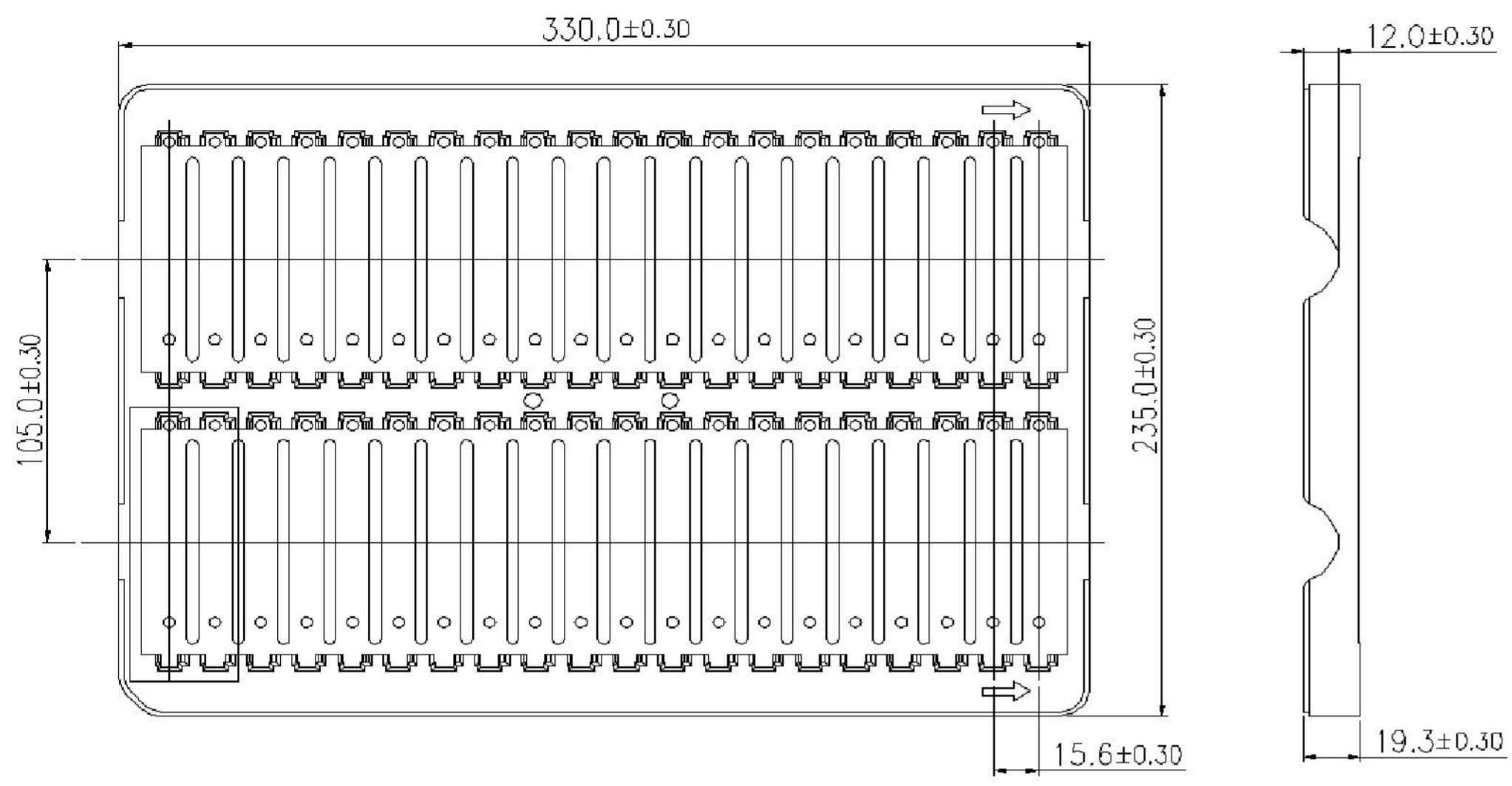
98POS AS SHOWN



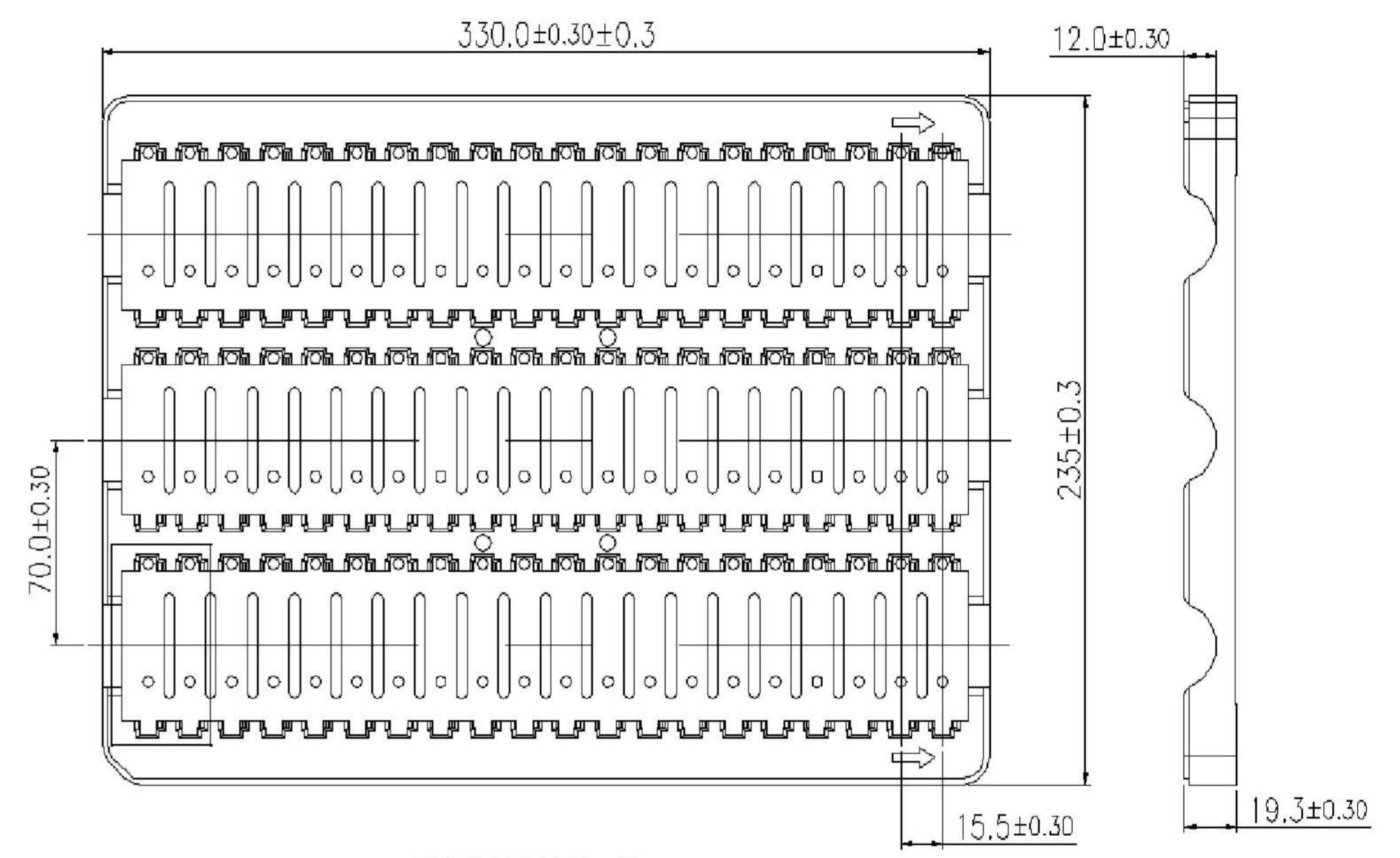
164POS AS SHOWN

|   |  |                             |   |                 |
|---|--|-----------------------------|---|-----------------|
| THIS DRAWING IS A CONTROLLED DOCUMENT.  |  | DWN SANDERS YAN 08 JAN 2019 |  TE Connectivity |                 |
| DIMENSIONS: mm  |  | CHK HOPE LU 08 JAN 2019     |   |                 |
| TOLERANCES UNLESS OTHERWISE SPECIFIED:  |  | APVD HOPE LU 08 JAN 2019    | NAME PCI EXPRESS GEN4 CARD EDGE CONNECTOR ONE SIDE OPEN   |                 |
| 0 PLC ±<br>1 PLC ±0.3<br>2 PLC ±0.20<br>3 PLC ±0.050<br>4 PLC ±<br>ANGLES ±<br>FINISH ± |  | PRODUCT SPEC -              | SIZE A2   | CAGE CODE 00779 |
| MATERIAL -  |  | APPLICATION SPEC -          | DRAWING NO C-2349820  | RESTRICTED TO - |
| -   |  | WEIGHT -                    | SCALE 3:1 SHEET 4 OF 6 REV C  |                 |
|   |  | CUSTOMER DRAWING            |   |                 |

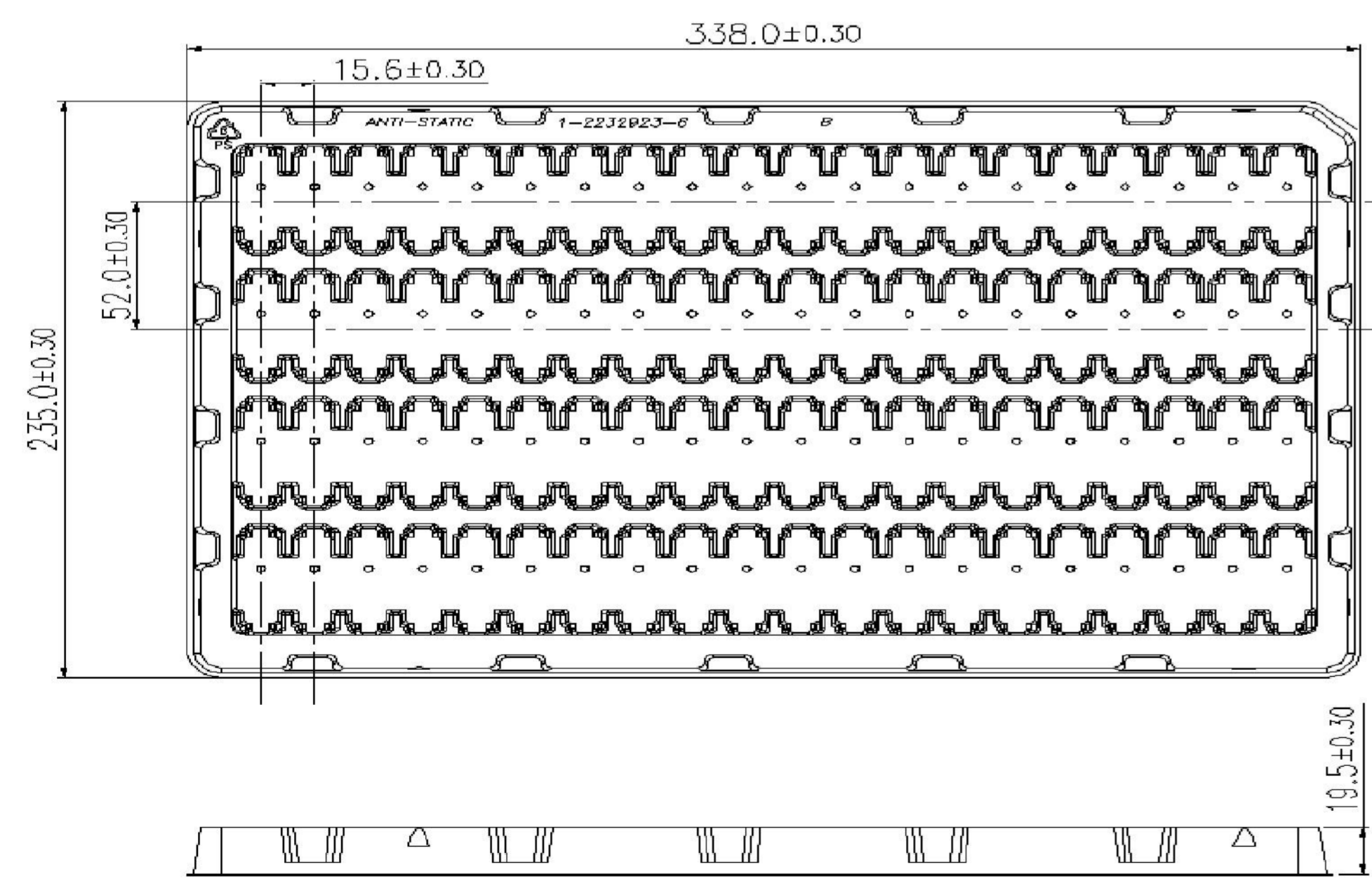
| REVISIONS |     |             |      |      |
|-----------|-----|-------------|------|------|
| P         | LTR | DESCRIPTION | DATE | APVD |
| -         | -   | SEE SHEET 1 | -    | -    |
|           |     |             |      |      |
|           |     |             |      |      |




PACKAGE 1



PACKAGE 2

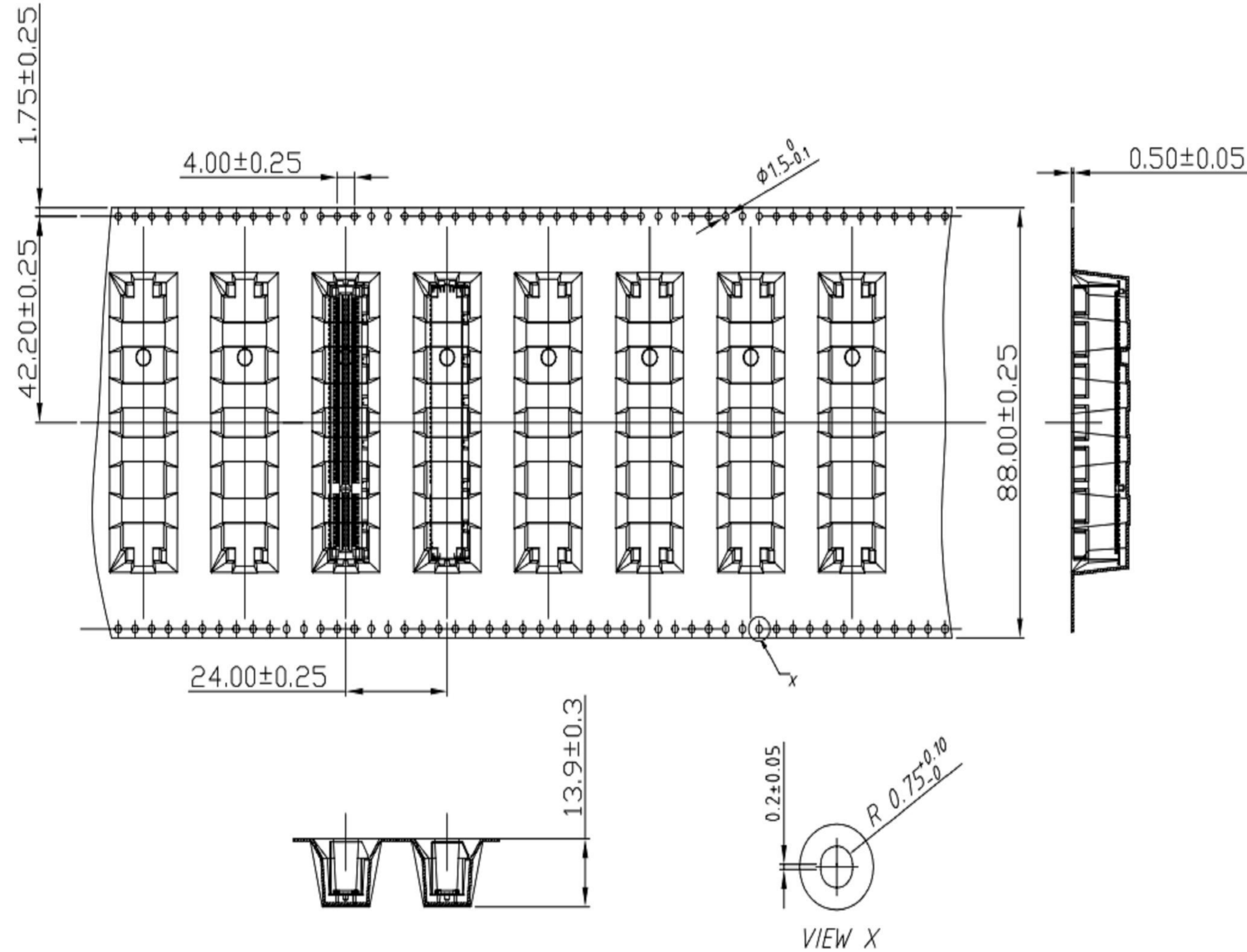


PACKAGE 3


|  |              |                             |   |                 |
|--|--------------|-----------------------------|---|-----------------|
| THIS DRAWING IS A CONTROLLED DOCUMENT. |              | DWN SANDERS YAN 08 JAN 2019 |  TE Connectivity |                 |
| DIMENSIONS: mm                         |              | CHK HOPE LU 08 JAN 2019     |   |                 |
| TOLERANCES UNLESS OTHERWISE SPECIFIED: |              | APVD HOPE LU 08 JAN 2019    | NAME PCI EXPRESS GEN4 CARD EDGE CONNECTOR ONE SIDE OPEN   |                 |
| 0 PLC ±                                | 1 PLC ±0.3   | PRODUCT SPEC -              | SIZE A2   | CAGE CODE 00779 |
| 2 PLC ±0.20                            | 3 PLC ±0.050 | APPLICATION SPEC -          | DRAWING NO C-2349820  | RESTRICTED TO - |
| 4 PLC ±                                | ANGLES ±     | WEIGHT -                    | SCALE 3:1   | SHEET 5 OF 6    |
| MATERIAL -                             | FINISH -     | CUSTOMER DRAWING            | REV C   |                 |

THIS DRAWING IS UNPUBLISHED. RELEASED FOR PUBLICATION 20  
 © COPYRIGHT 20 BY - ALL RIGHTS RESERVED.

| REVISIONS |     |             |      |      |
|-----------|-----|-------------|------|------|
| P         | LTR | DESCRIPTION | DATE | APVD |
| -         | -   | SEE SHEET 1 | -    | -    |
|           |     |             |      |      |
|           |     |             |      |      |



PACKAGE 4

|   |  |                                 |   |                        |
|---|--|---------------------------------|---|------------------------|
| THIS DRAWING IS A CONTROLLED DOCUMENT.  |  | DWN 08 JAN 2019<br>SANDERS, YAN |  TE Connectivity |                        |
| DIMENSIONS: mm  |  | CHK 08 JAN 2019<br>HOPE, LU     |   |                        |
| TOLERANCES UNLESS OTHERWISE SPECIFIED:  |  | APVD 08 JAN 2019<br>HOPE, LU    | NAME<br>PCI EXPRESS GEN4 CARD EDGE CONNECTOR<br>ONE SIDE OPEN   |                        |
| 0 PLC ±<br>1 PLC ±0.3<br>2 PLC ±0.20<br>3 PLC ±0.050<br>4 PLC ±<br>ANGLES ±<br>FINISH ± |  | PRODUCT SPEC<br>-               | SIZE<br>A200779   | CAGE CODE<br>C-2349820 |
| MATERIAL<br>-   |  | APPLICATION SPEC<br>-           | DRAWING NO<br>-   | RESTRICTED TO<br>-     |
| -   |  | WEIGHT<br>-                     | SCALE<br>3:1  | SHEET<br>6 OF 6        |
| -   |  | CUSTOMER DRAWING                | REV<br>C  |                        |