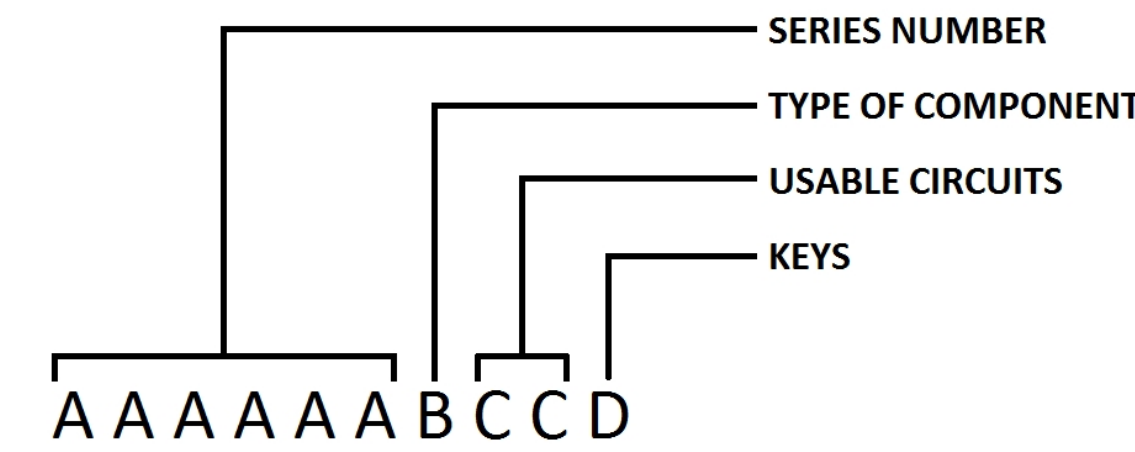


# CONNTAK50 DUAL ROW RIGHT ANGLE SMT HEADERS

## 10CKT HEADER:

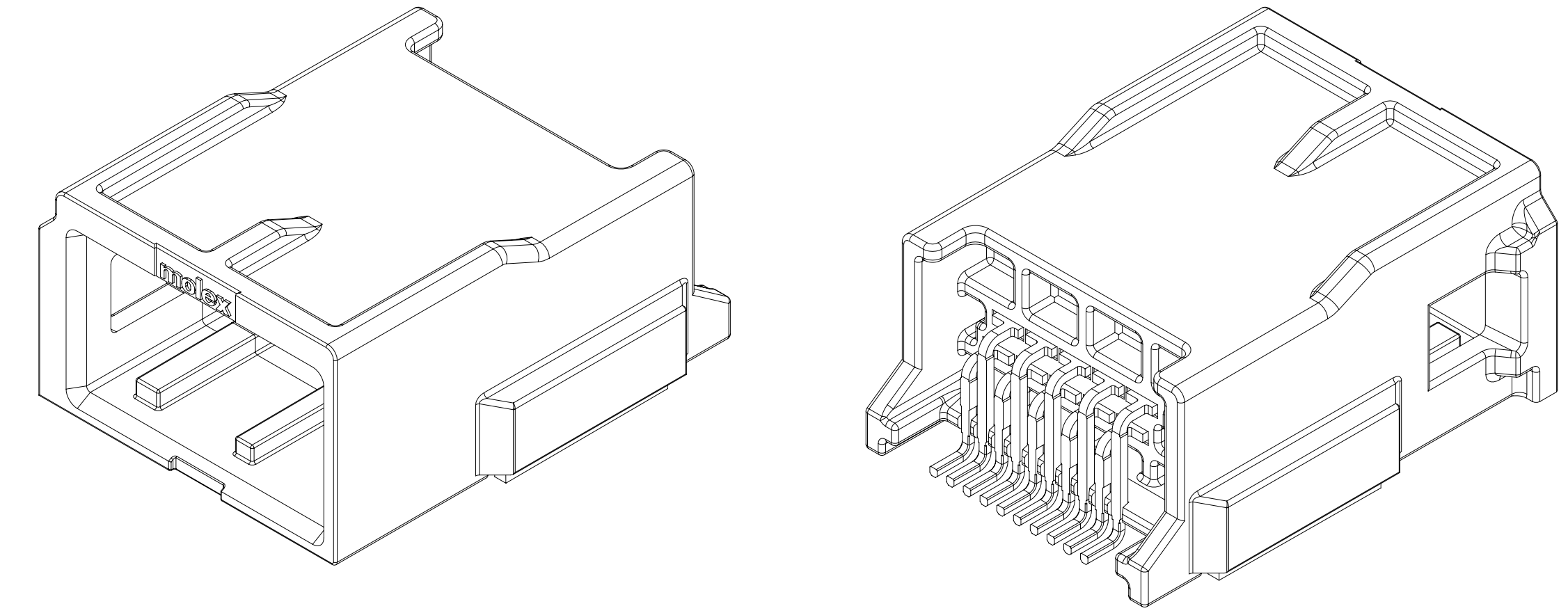


### PART NUMBER EXAMPLE:

PN 2069583101  
 206958 - SERIES NUMBER: DUAL ROW RIGHT ANGLE SMT HEADER - STANDARD PERF  
 3 - TYPE OF COMPONENT: STANDARD MATERIAL; FULLY POPULATED  
 10 - 10 USABLE CIRCUITS  
 1 - KEY A

FINAL PART: 10CKT DUAL ROW RIGHT ANGLE FULLY POPULATED STANDARD PERFORMANCE SMT HEADER - KEY A

	SERIES NUMBERS (AAAAAA)	TYPE OF COMPONENT (B)	USABLE CIRCUITS (CC)	KEY (D)
MATING COMPONENT	205825 - DR TANG RECEPTACLE	2 - STD MATL; FULLY POPULATED (APPLIES TO RECEPTACLE P/N ONLY)	02 - 2 Circuits	1 - KEY A
ON DRAWING	205826 - DR TANG RECEPTACLE WITH CPA	3 - V0 MATL; FULLY POPULATED (APPLIES TO HEADER P/N ONLY)	...	2 - KEY B
OTHER	206958 - DR RIGHT ANGLE SMT HEADER - STANDARD PERF.	4 - STD MATL: LAST 2 CKTS UNPOPULATED / UNUSABLE (APPLIES TO RECEPTACLE P/N ONLY)	...	3 - KEY C
	206957 - DR VERTICAL SMT HEADER - STANDARD PERF.	5 - V0 MATL: LAST 2 CKTS UNPOPULATED / UNUSABLE (APPLIES TO HEADER P/N ONLY)	22 - 22 Circuits	4 - KEY D



### NOTES:

VALID UNLESS OTHERWISE SPECIFIED

#### 1. GENERAL:

- 1.1 APPLICATION SPECIFICATION SEE: 2046310000-AS
- 1.2 PRODUCT SPECIFICATION SEE: 2046310000-PS
- 1.3 PACKAGING SPECIFICATION PER MOLEX DRAWING: 2069579000
  - 1.3.1 PACKAGING IS TAPE & REEL
- 1.4 COMPATIBLE WITH STANDARD AK INTERFACE C-114-94000-20 REV A1
- 1.5 CONFORMS TO MOLEX AK INTERFACE 2046310002 REV A
  - 1.5.1 MOLEX AK INTERFACE IS PART OF PPAP
- 1.6 INDICATED CIRCUITS DO NOT CONTAIN PINS IN DEPOPULATED HEADER VERSION
- 1.7 TRACEABILITY TO BE MARKED IN AREA SHOWN. MARK IS CODED AS FOLLOWS:
  - ROW 1 (XXXXXX):
    - "XXXXXX" IS MOLEX SMT HEADER SERIES NUMBER
  - ROW 2 (YYYY PZ):
    - "YYYY" IS PART SUFFIX (LAST 4 DIGITS OF PART NUMBER)
    - "P" IS PERFORMANCE MARK. SEE PART TABLE FOR MARKING CODE
    - "Z" IS ASSEMBLY LINE ("1" INDICATES ORIGINAL LINE, "2" IS FIRST CAPACITY LINE, ETC.)
  - ROW 3 (HHDDYY):
    - 1ST & 2ND DIGITS (HH): HOUR OF ASSEMBLY (EXAMPLE: 15:00 > '15'; 7:00 -> '07')
    - 3RD THRU 5TH DIGITS (DDD): JULIAN DATE (EXAMPLE: FEBRUARY 3RD -> '034')
    - 6TH & 7TH DIGITS (YY): LAST 2 DIGITS OF CALENDAR YEAR (EXAMPLE: 2013 -> '13')
- 1.8 DURING SHIPPING / HANDLING AND REFLOW EXPOSURE COPLANARITY MAY GO ABOVE THE 0.10MM LIMIT PART SOLDERABILITY IS MAINTAINED IN THIS CONDITION.

#### 2. DESIGN - MATERIALS:

- 2.1 SHROUD (PLASTIC HOUSING):
  - 2.1.2 V0 MATERIAL HOUSINGS: PA9T-GF30%
- 2.2 PINS:
  - 2.2.1 STANDARD PERFORMANCE PINS:
    - BASE MATERIAL: C26000 BRASS
    - UNDERPLATING (CONTACT REGION): NICKEL 1.0 - 1.8 μm
    - OVERPLATING (CONTACT REGION): MATTE TIN 1.0 - 3.0 μm

#### 3. DESIGN - GEOMETRY:

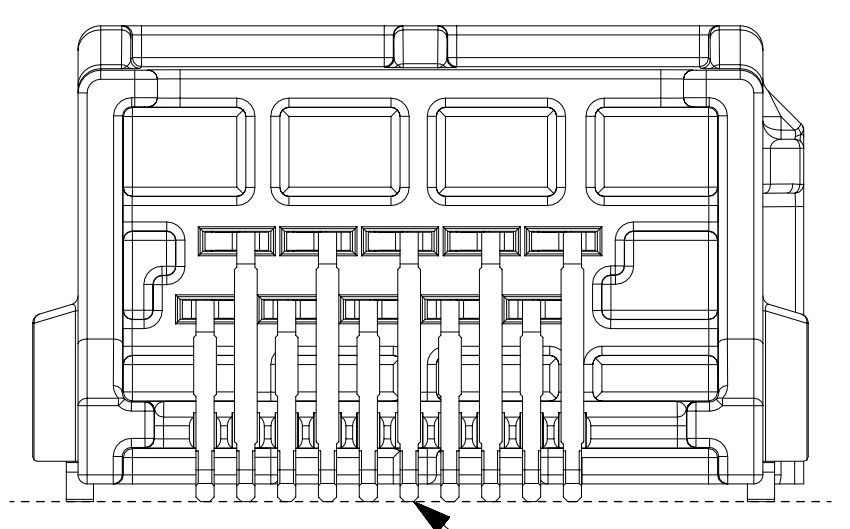
- 3.1 GEOMETRIC DIMENSIONS AND TOLERANCES PER ASME Y14.5M-2009

INTERFACE	INTERFACE CKT SIZE	DIM A	DIM B	DIM C	DIM D	DIM E	DIM F	DIM G	POL	COLOR	V0 MATERIAL SMT HEADER				STATUS
											FULLY POPULATED		2CKTS UNPOPULATED		
											PART NUMBER	USABLE CKTS	PART NUMBER	USABLE CKTS	
	4	11.70	9.70	0.20	4.81	0.65	5.45	0.65	A	BLACK	2069583041	4	2069585021	2	INQUIRE FOR AVAILABILITY
									B	NATURAL	2069583042	4	2069585022	2	
									C	BLUE	2069583043	4	2069585023	2	
									D	VIOLET	2069583044	4	2069585024	2	
	6	13.50	11.50	1.10	5.71	1.55	6.35	1.55	A	BLACK	2069583061	6	2069585041	4	INQUIRE FOR AVAILABILITY
									B	NATURAL	2069583062	6	2069585042	4	
									C	BLUE	2069583063	6	2069585043	4	
									D	VIOLET	2069583064	6	2069585044	4	
	8	15.30	13.30	2.00	6.61	2.45	7.25	2.45	A	BLACK	2069583081	8	2069585061	6	INQUIRE FOR AVAILABILITY
									B	NATURAL	2069583082	8	2069585062	6	
									C	BLUE	2069583083	8	2069585063	6	
									D	VIOLET	2069583084	8	2069585064	6	
	10	17.10	15.10	2.90	7.51	3.35	8.15	3.35	A	BLACK	2069583101	10	2069585081	8	AVAILABLE
									B	NATURAL	2069583102	10	2069585082	8	
									C	BLUE	2069583103	10	2069585083	8	
									D	VIOLET	2069583104	10	2069585084	8	
	12	18.90	16.90	3.80	8.41	4.25	9.05	4.25	A	BLACK	2069583121	12	2069585101	10	INQUIRE FOR AVAILABILITY
									B	NATURAL	2069583122	12	2069585102	10	
									C	BLUE	2069583123	12	2069585103	10	
									D	VIOLET	2069583124	12	2069585104	10	
	14	20.70	18.70	4.70	9.31	5.15	9.95	5.15	A	BLACK	2069583141	14	2069585121	12	INQUIRE FOR AVAILABILITY
									B	NATURAL	2069583142	14	2069585122	12	
									C	BLUE	2069583143	14	2069585123	12	
									D	VIOLET	2069583144	14	2069585124	12	
	16	22.50	20.50	5.60	10.21	6.05	10.85	6.05	A	BLACK	2069583161	16	2069585141	14	INQUIRE FOR AVAILABILITY
									B	NATURAL	2069583162	16	2069585142	14	
									C	BLUE	2069583163	16	2069585143	14	
									D	VIOLET	2069583164	16	2069585144	14	
	18	24.30	22.30	6.50	11.11	6.95	11.75	6.95	A	BLACK	2069583181	18	2069585161	16	INQUIRE FOR AVAILABILITY
									B	NATURAL	2069583182	18	2069585162	16	
									C	BLUE	2069583183	18	2069585163	16	
									D	VIOLET	2069583184	18	2069585164	16	
	20	26.10	24.10	7.40	12.01	7.85	12.65	7.85	A	BLACK	2069583201	20	2069585181	18	INQUIRE FOR AVAILABILITY
									B	NATURAL	2069583202	20	2069585182	18	
									C	BLUE	2069583203	20	2069585183	18	
									D	VIOLET	2069583204	20	2069585184	18	
	22	27.90	25.90	8.30	12.91	8.75	13.55	8.75	A	BLACK	2069583221	22	2069585201	20	AVAILABLE
									B	NATURAL	2069583222	22	2069585202	20	
									C	BLUE	2069583223	22	2069585203	20	
									D	VIOLET	2069583224	22	2069585204	20	

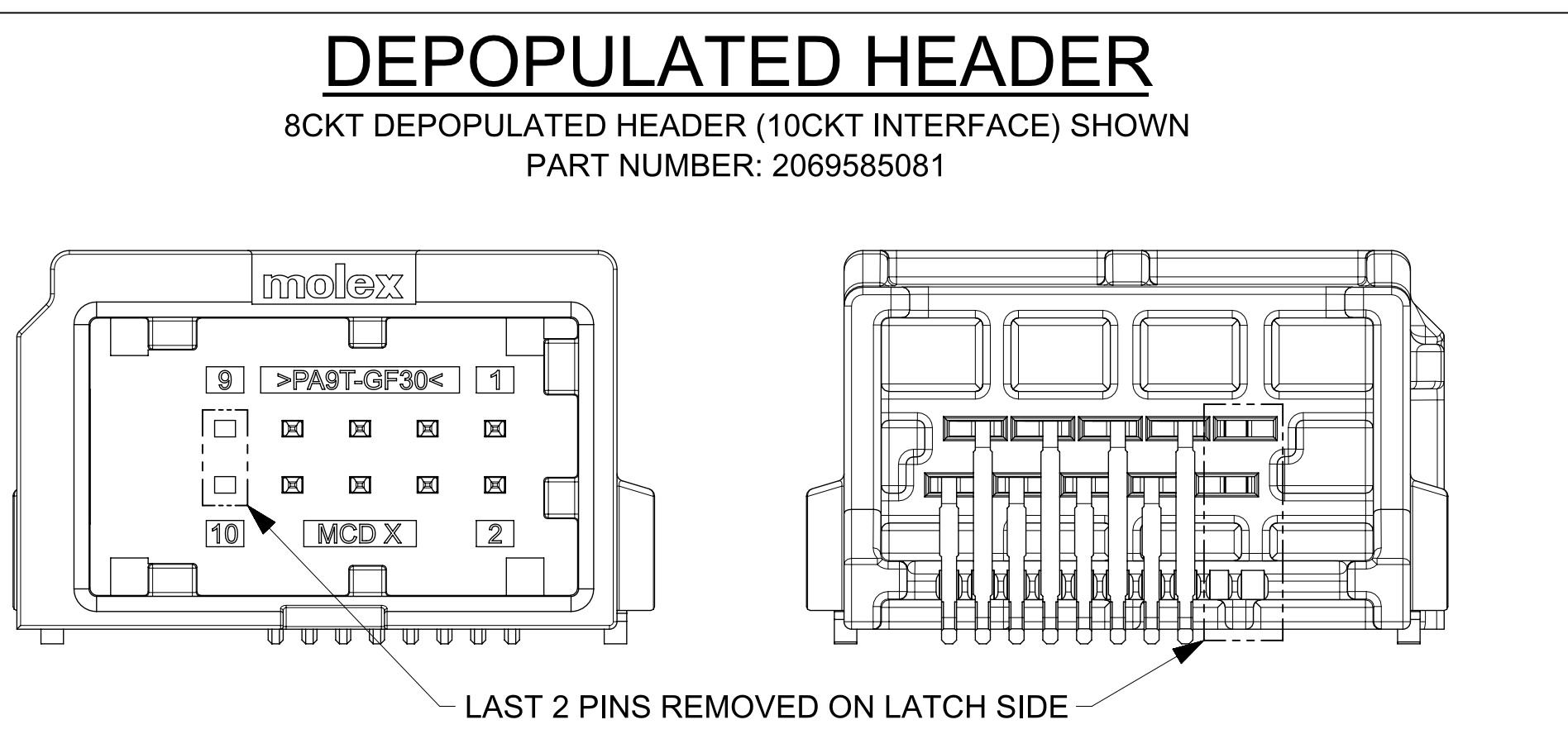
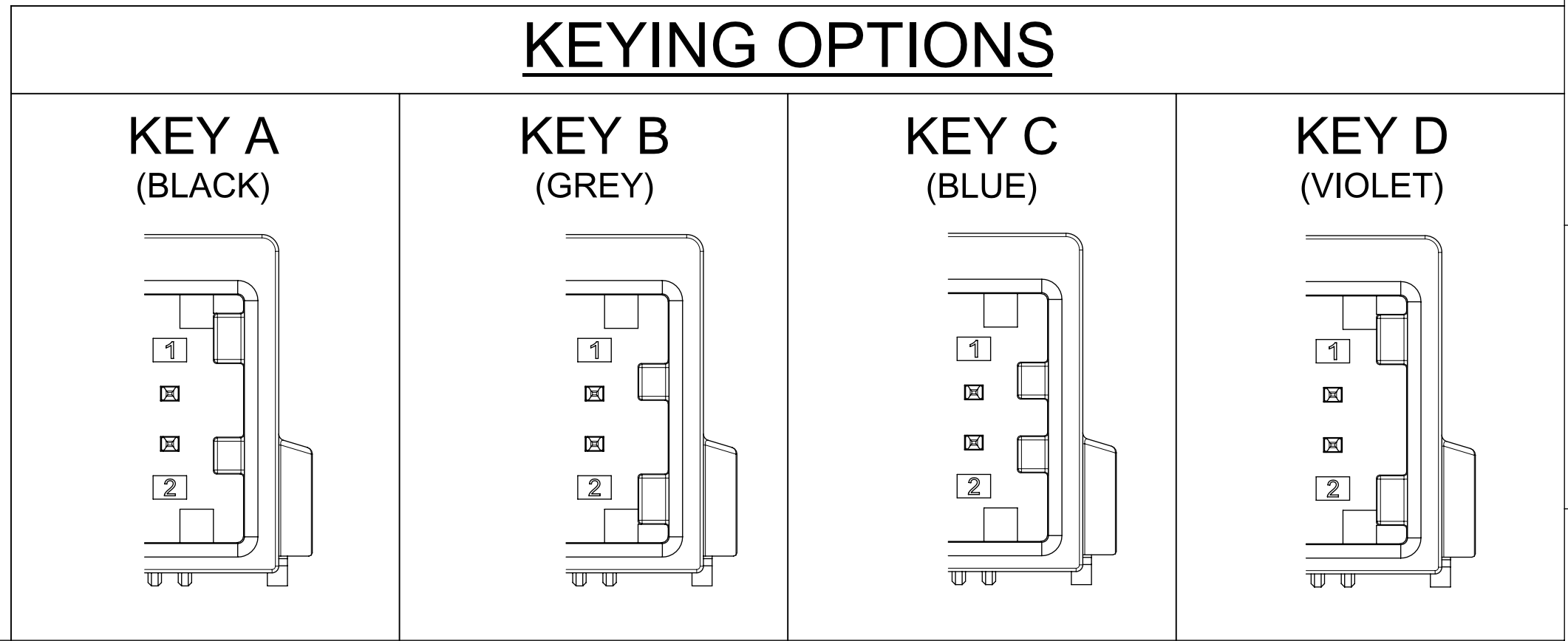
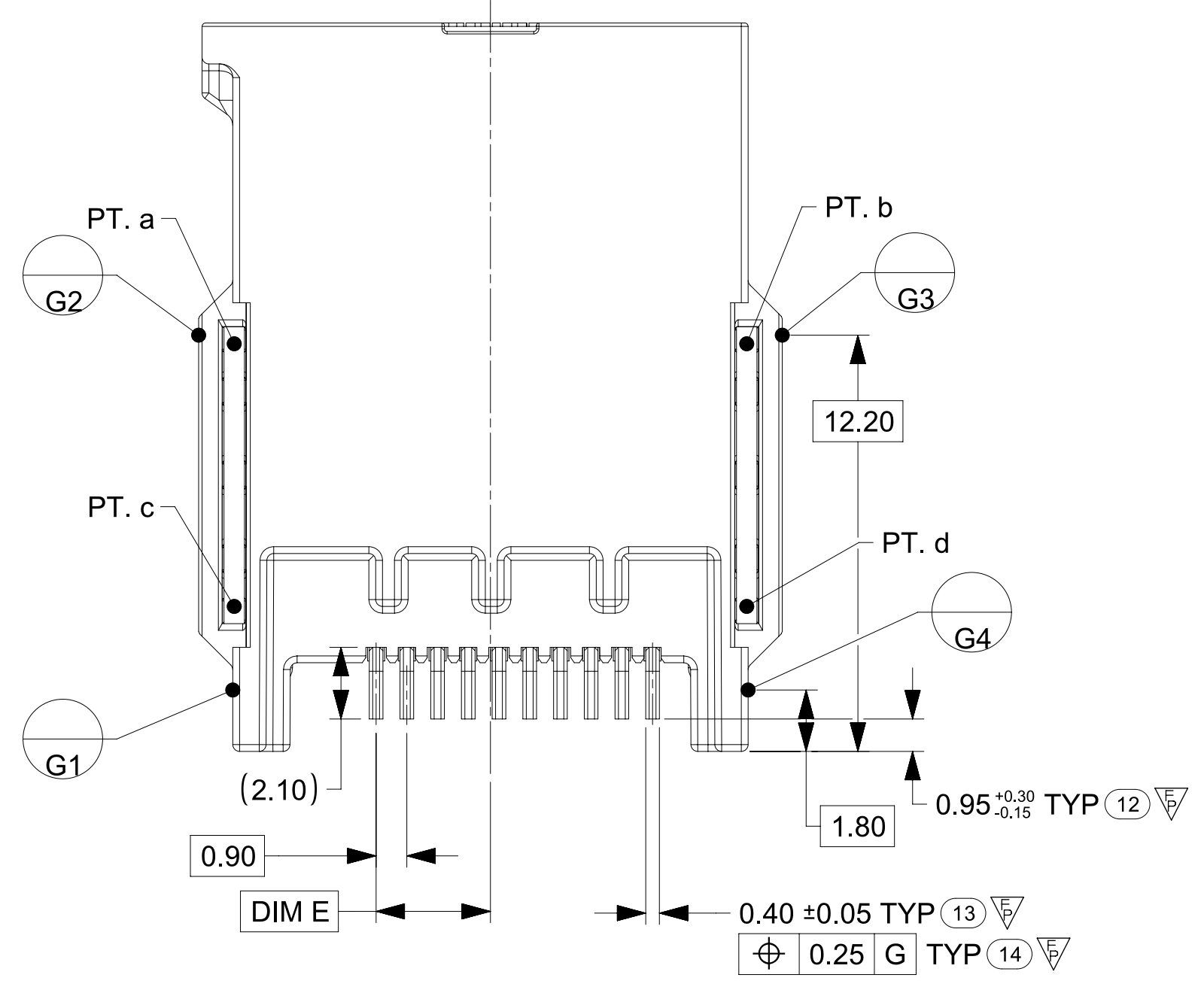
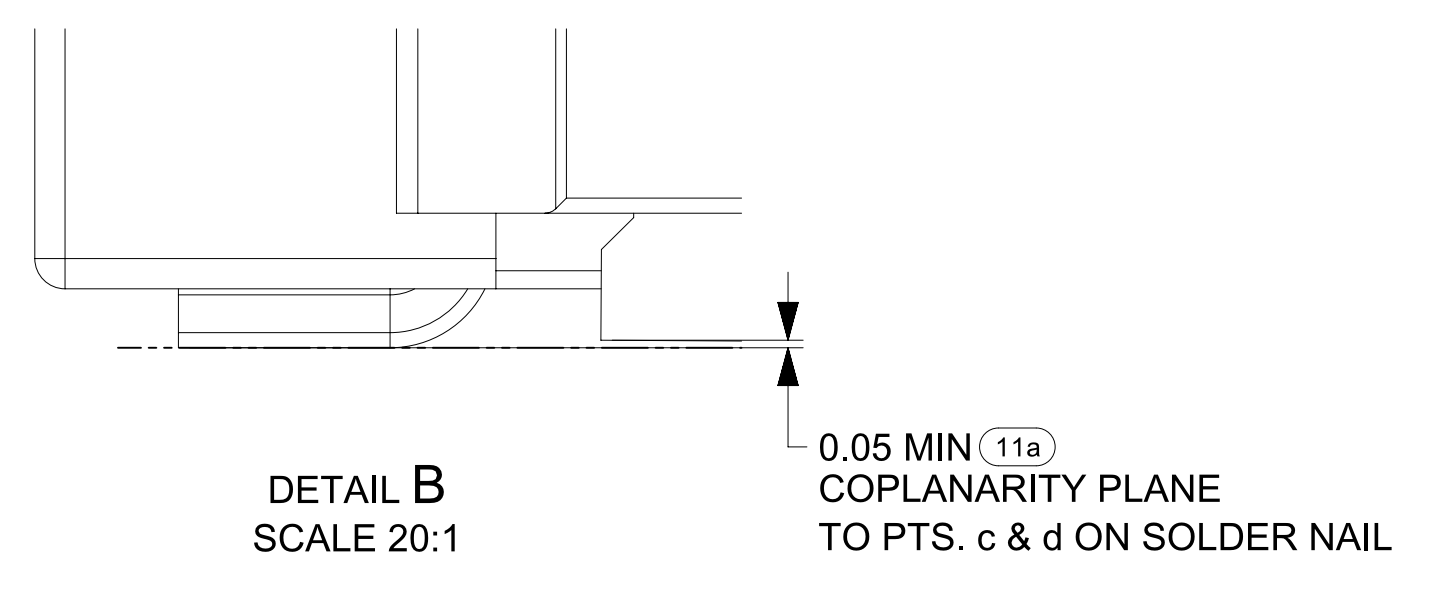
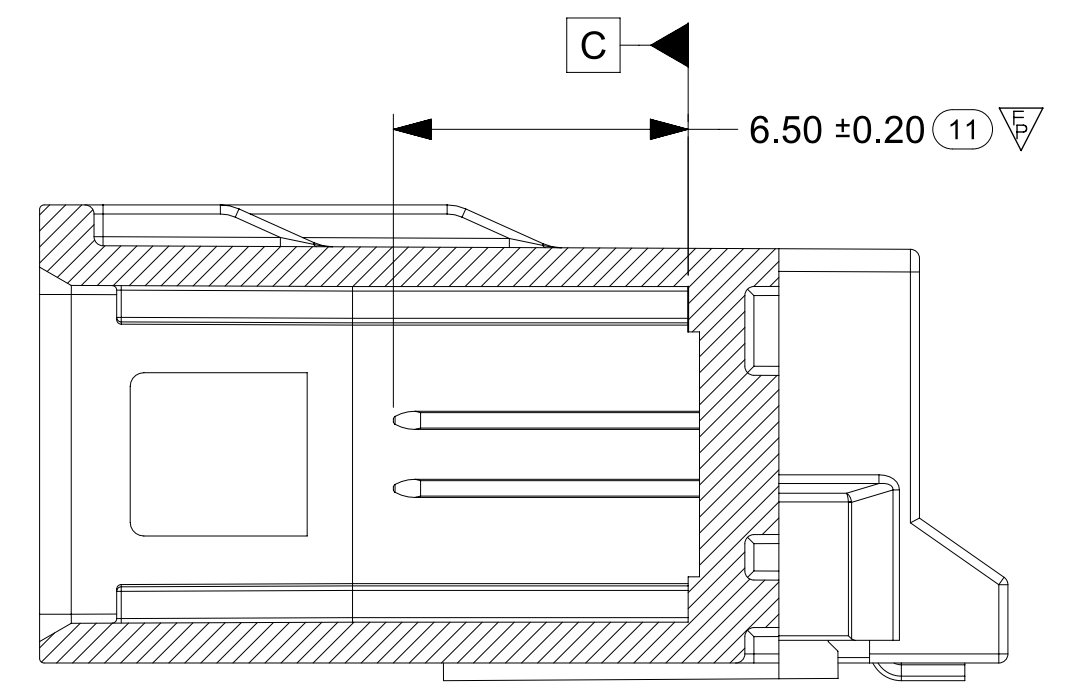
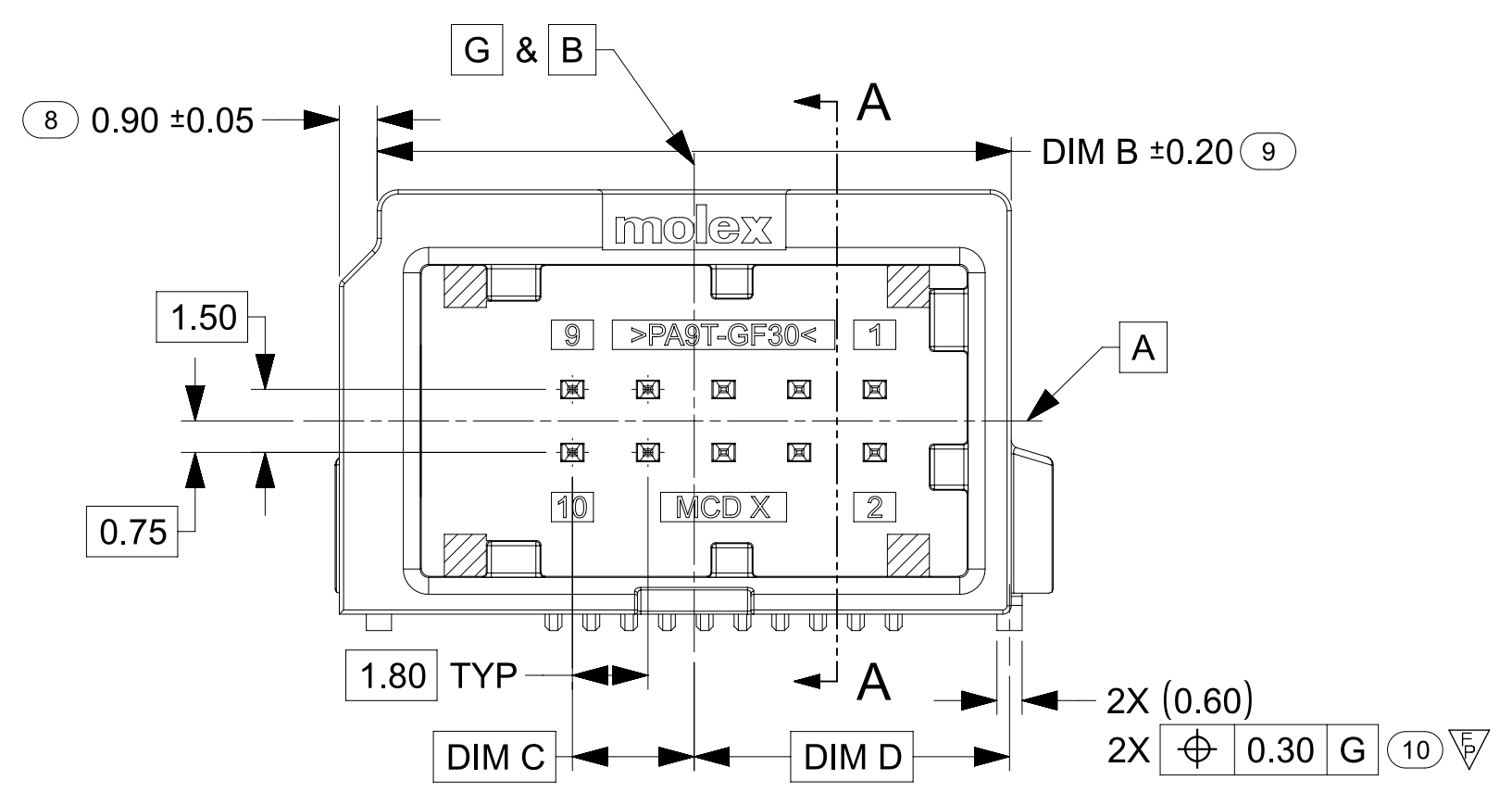
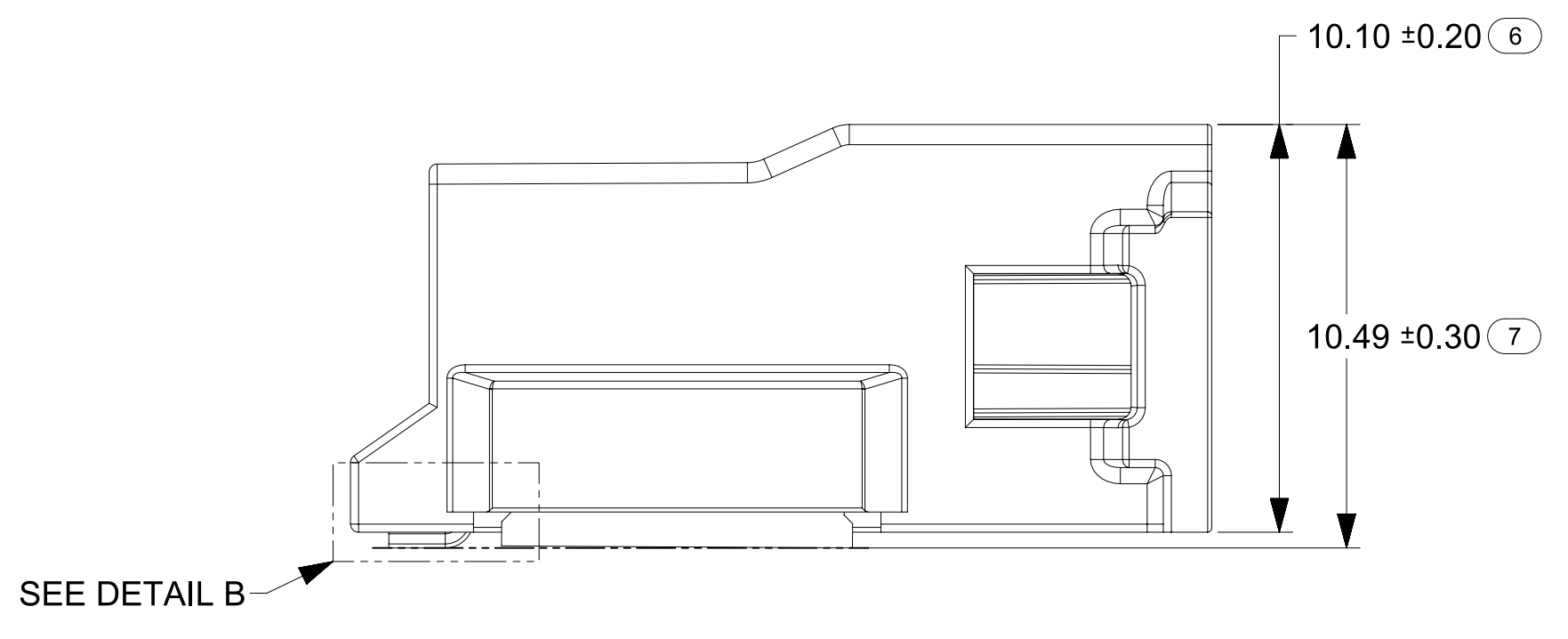
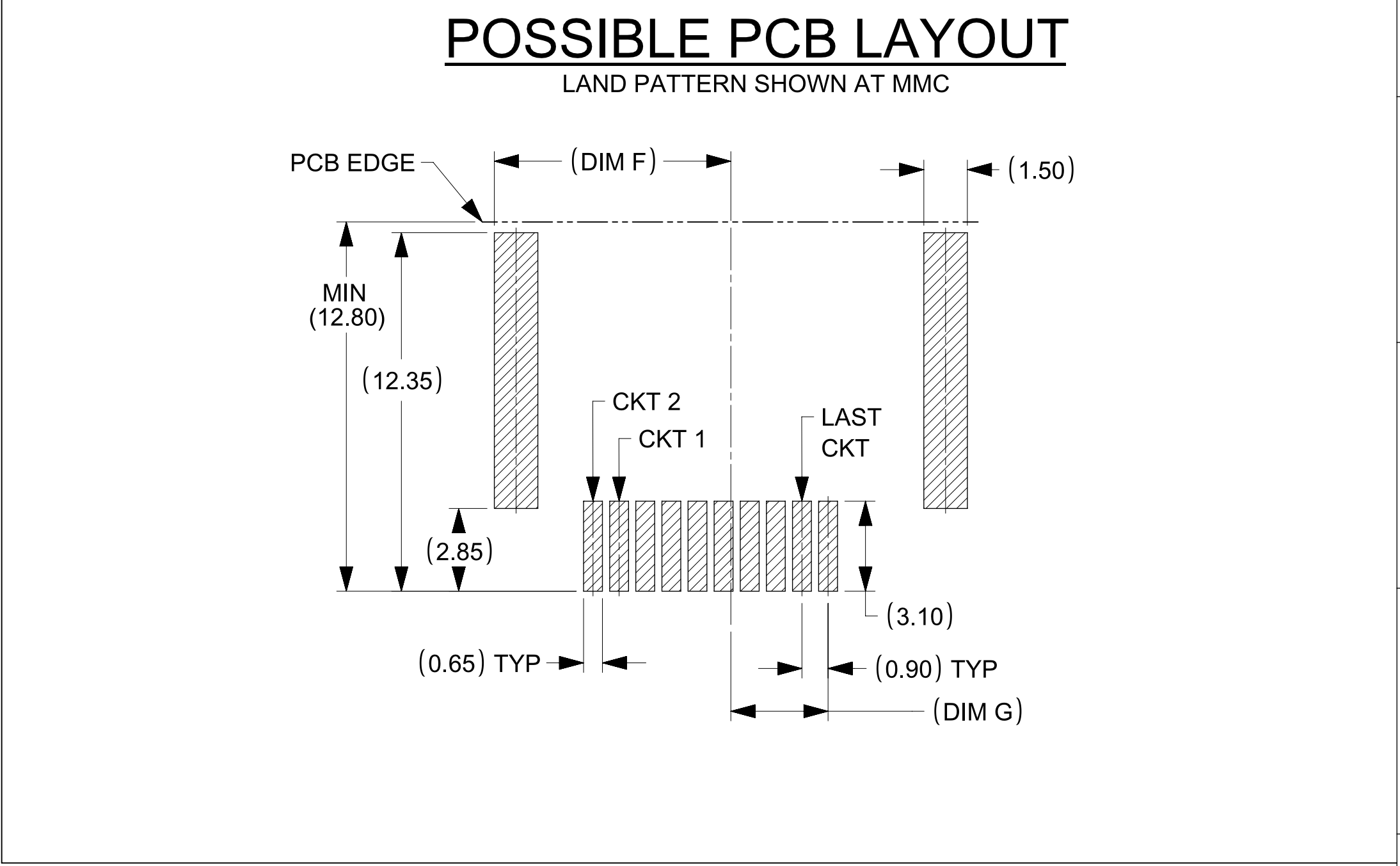
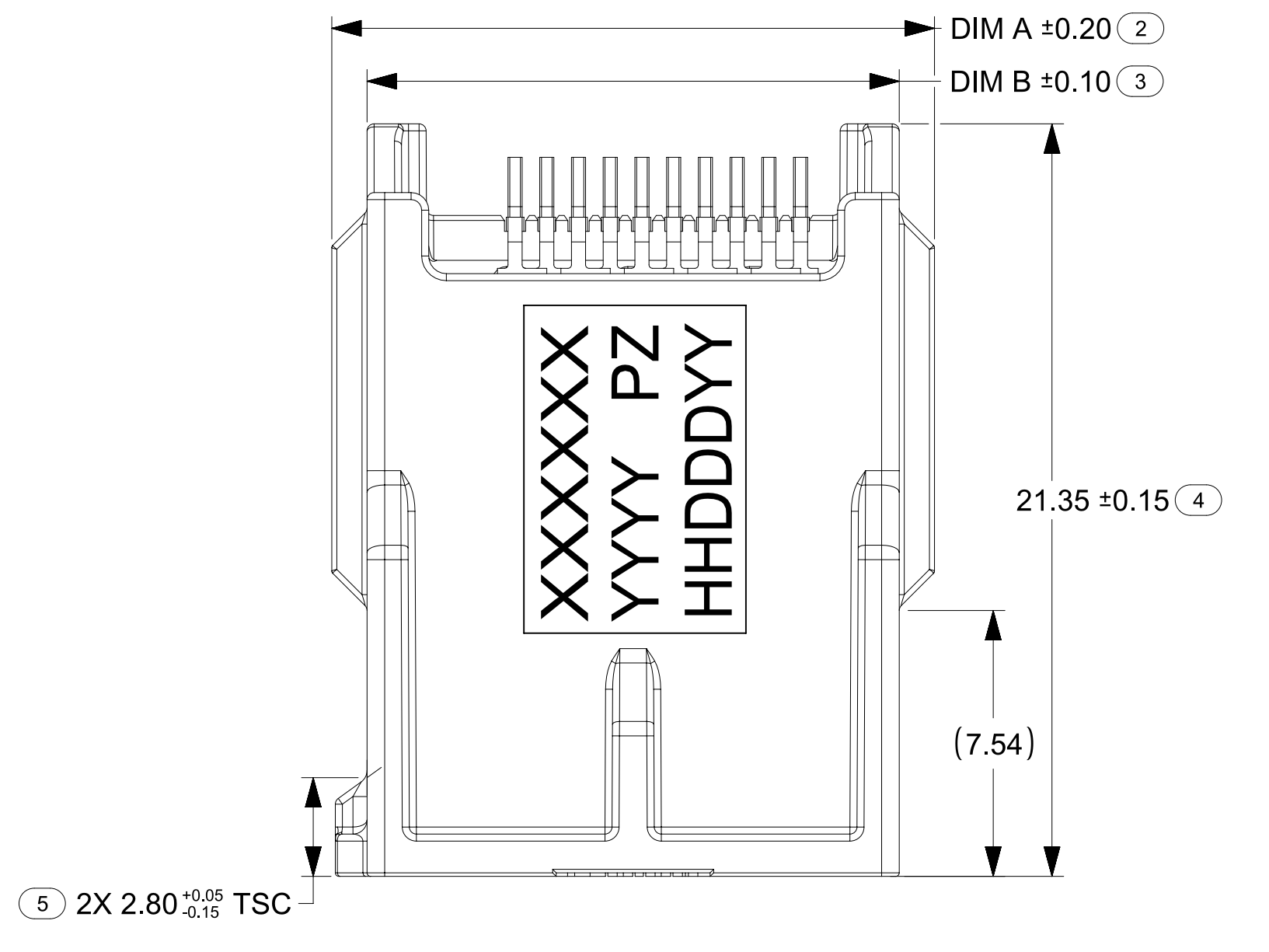
PERFORMANCE MARK: S

INSPECTION BALLOON LOG		E	REMOVED: NOTE 2.1.1; ALL SPS PART NUMBERS
PER DRAWING REVISION: E		D5	ADDED: NOTE 1.8; DIM 11a UPDATED: DIM 1
TOTAL BALLOONS: 14		D4	UPDATED: UNDERPLATING THICKNESS (NOTE 2.2.1)
ADDED BALLOON NUMBERS: 11a		D3	CORRECTED: DIM C DIMENSIONS
REMOVED BALLOON NUMBERS:		D2	UPDATED: TOLERANCE ON DIM 5 FROM (+0.05/-0.10) TO (+0.05/-0.15).
		D1	UPDATED: BOM TABLE TO SAY NATURAL FOR POL B
		D	ADDED V0 MATERIAL PART NUMBERS; UPDATED NOTE 2.1
		REV	DESCRIPTION
FUNCTIONAL SYMBOLS			
THIS DRAWING CONTAINS INFORMATION THAT IS PROPRIETARY TO MOLEX ELECTRONIC TECHNOLOGIES, LLC AND SHOULD NOT BE USED WITHOUT WRITTEN PERMISSION			
DIMENSION UNITS		SCALE	CURRENT REV DESC:
mm		5:1	PHASE:
GENERAL TOLERANCES (UNLESS SPECIFIED)		CO NO:	
ANGULAR TOL ± 0.5°		DRWN: Keith Hewitt 2022-12-05	
4 PLACES ±		CHK'D: Evan Colarusso 2022-12-08	
3 PLACES ±		APPR: Jeremy Dunaj 2022-12-08	
2 PLACES ±		INITIAL REVISION:	
1 PLACE ±		DRWN: Evan Colarusso 2021-12-08	
0 PLACES ±		APPR: Jeremy Dunaj 2021-12-08	
DIVISIONAL SYMBOLS		DRAWING SERIES	
DRAFT WHERE APPLICABLE MUST REMAIN WITHIN DIMENSIONS		D-SIZE 204632	
THIRD ANGLE PROJECTION		MATERIAL NUMBER CUSTOMER	
GENERAL MARKET		SHEET NUMBER	
2046320003		1 OF 2	

10CKT KEY A (2069583101) SHOWN EXCEPT WHERE NOTED  
 REFER TO 2046310002 FOR INTERFACE DIMENSIONS



0.10 TYP  
 SOLDER NAIL & TERMINAL COPLANARITY  
 EXCLUDES PTS. c & d



FUNCTIONAL SYMBOLS $F_A = 0$ $F_C = 0$ $F_P = 0$ DIVISIONAL SYMBOLS	THIS DRAWING CONTAINS INFORMATION THAT IS PROPRIETARY TO MOLEX ELECTRONIC TECHNOLOGIES, LLC AND SHOULD NOT BE USED WITHOUT WRITTEN PERMISSION		DIMENSION UNITS: mm SCALE: 6:1		CURRENT REV DESC:	
	GENERAL TOLERANCES (UNLESS SPECIFIED) ANGULAR TOL: ± 0.5°		PHASE: CO NO: 2022-12-05 DRWN: Keith Hewitt CHK'D: Evan Colarusso APPR: Jeremy Dunaj 2022-12-08 2022-12-08		PRODUCT SALES DRAWING	
	4 PLACES ± 3 PLACES ± 2 PLACES ± 1 PLACE ± 0 PLACES ±		INITIAL REVISION: DRWN: Evan Colarusso APPR: Jeremy Dunaj 2021-12-08 2021-12-08		DOCUMENT NUMBER: 2046320003 DOC TYPE: PSD DOC PART: 000 REVISION: E	
	DRAFT WHERE APPLICABLE MUST REMAIN WITHIN DIMENSIONS		THIRD ANGLE PROJECTION		DRAWING: D-SIZE SERIES: 204632 MATERIAL NUMBER: GENERAL MARKET CUSTOMER: GENERAL MARKET SHEET NUMBER: 2 OF 2	