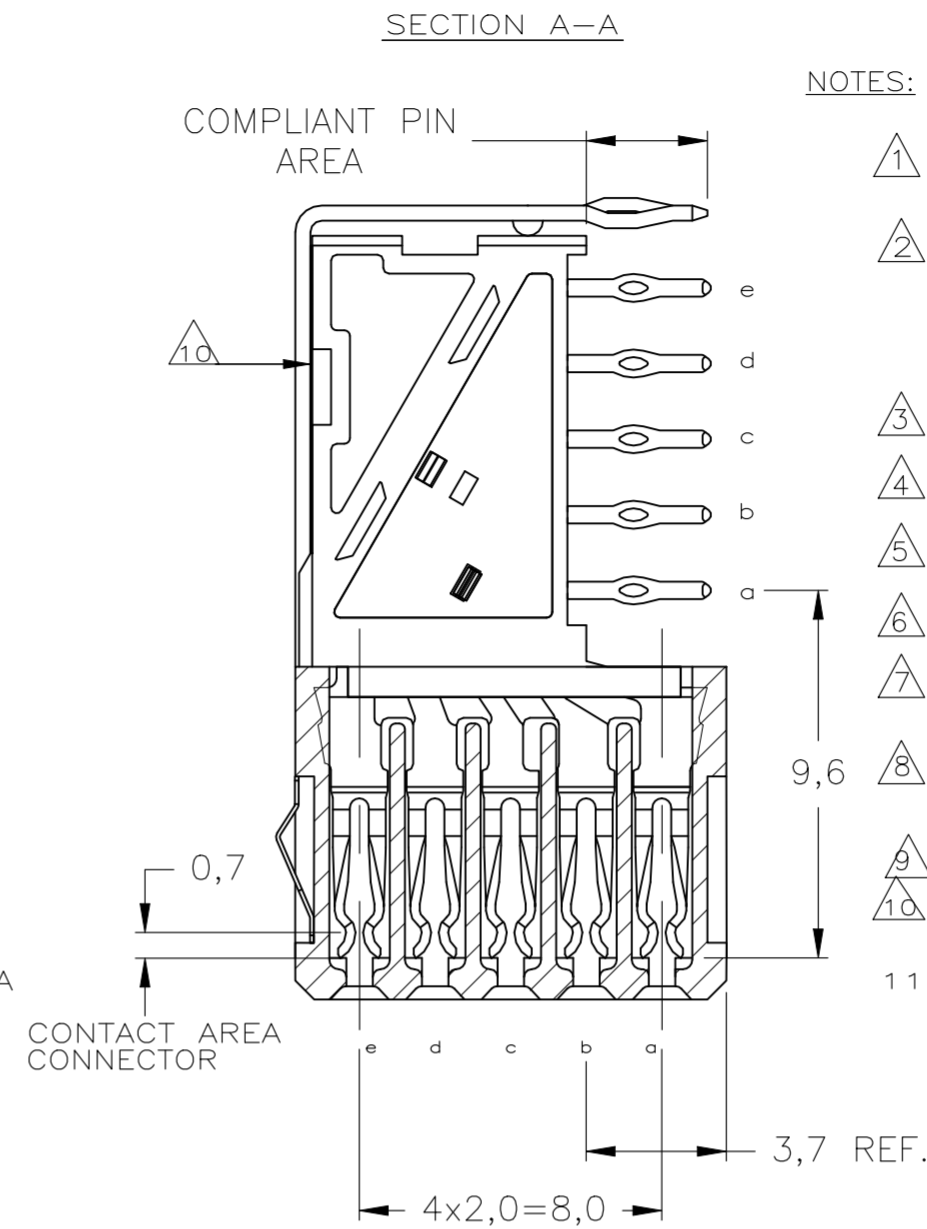
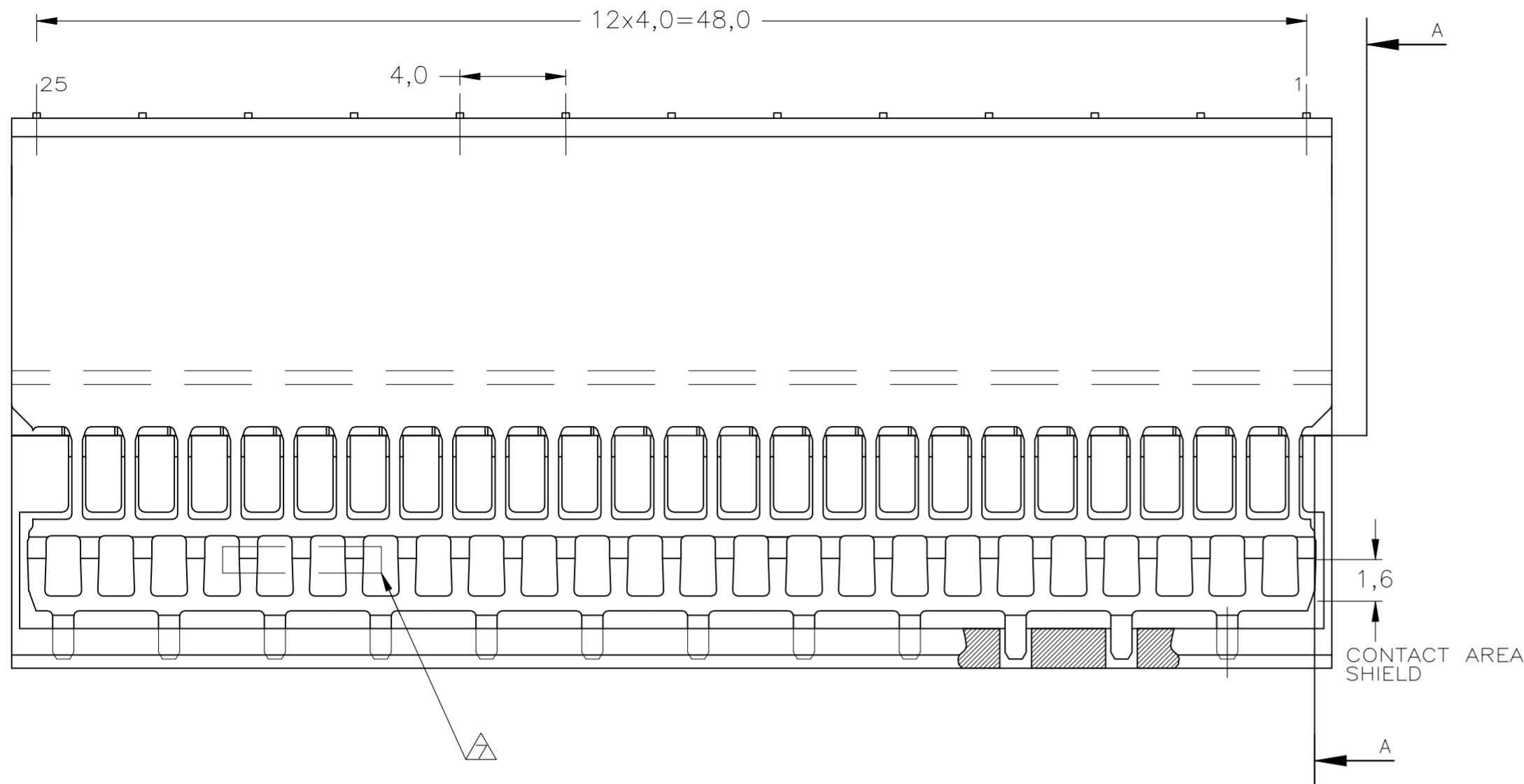
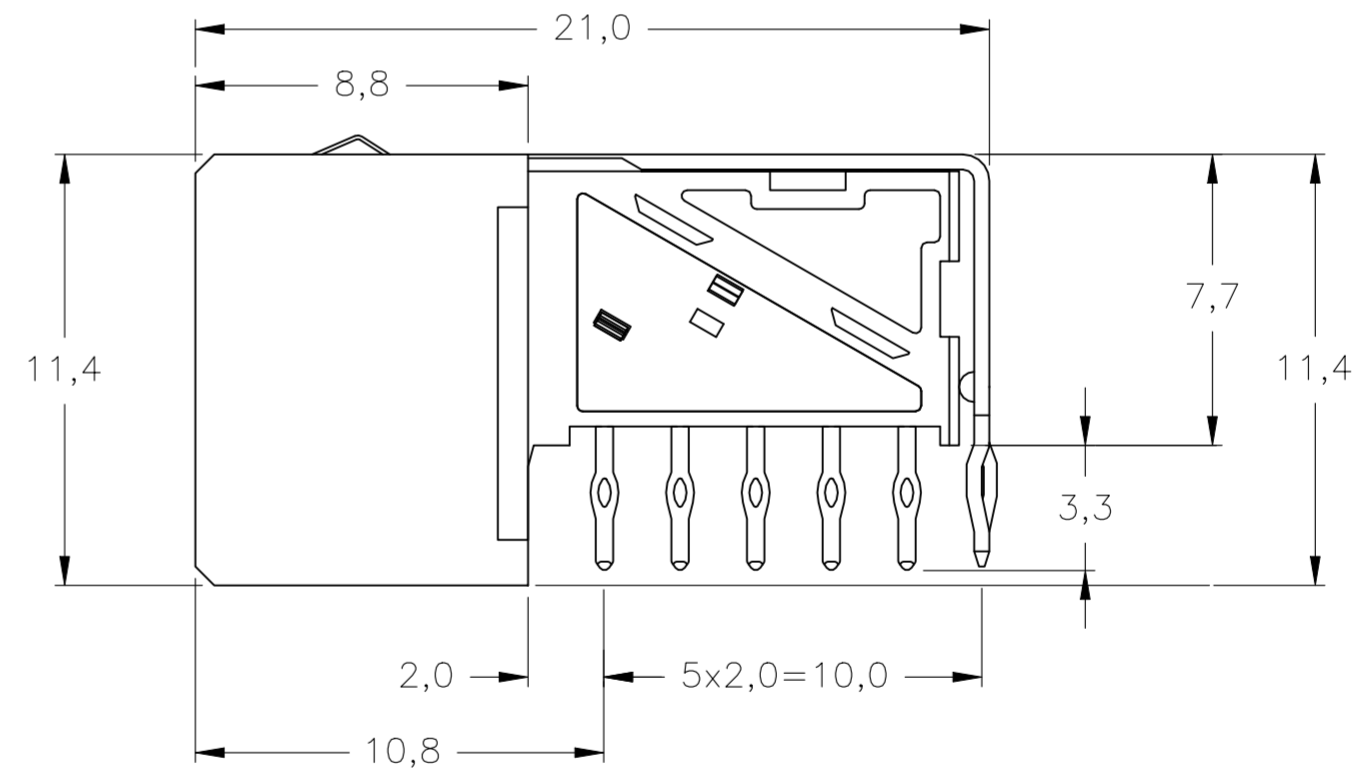
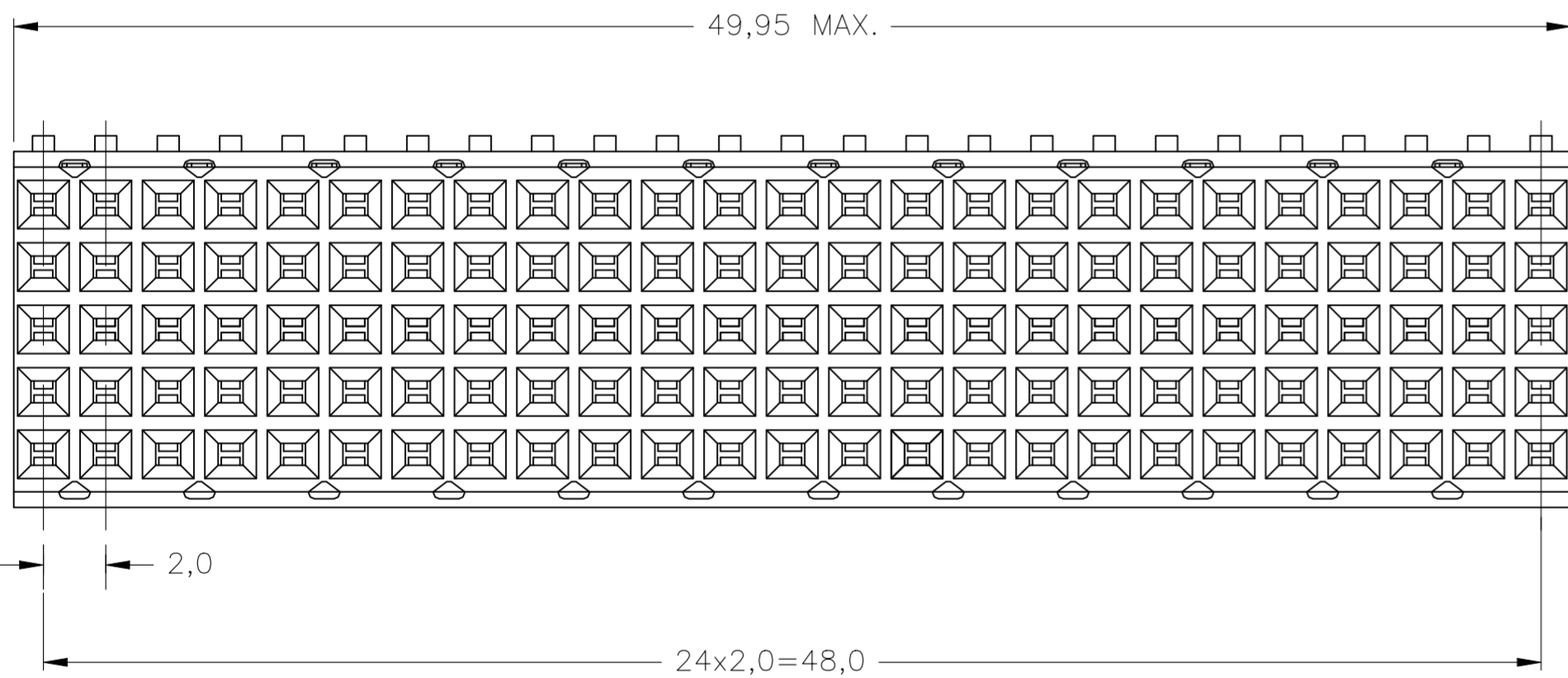


REVISIONS					
P	LTR	DESCRIPTION	DATE	DWN	APVD
D		ECR-21-116716	19JUN2022	TL	HL

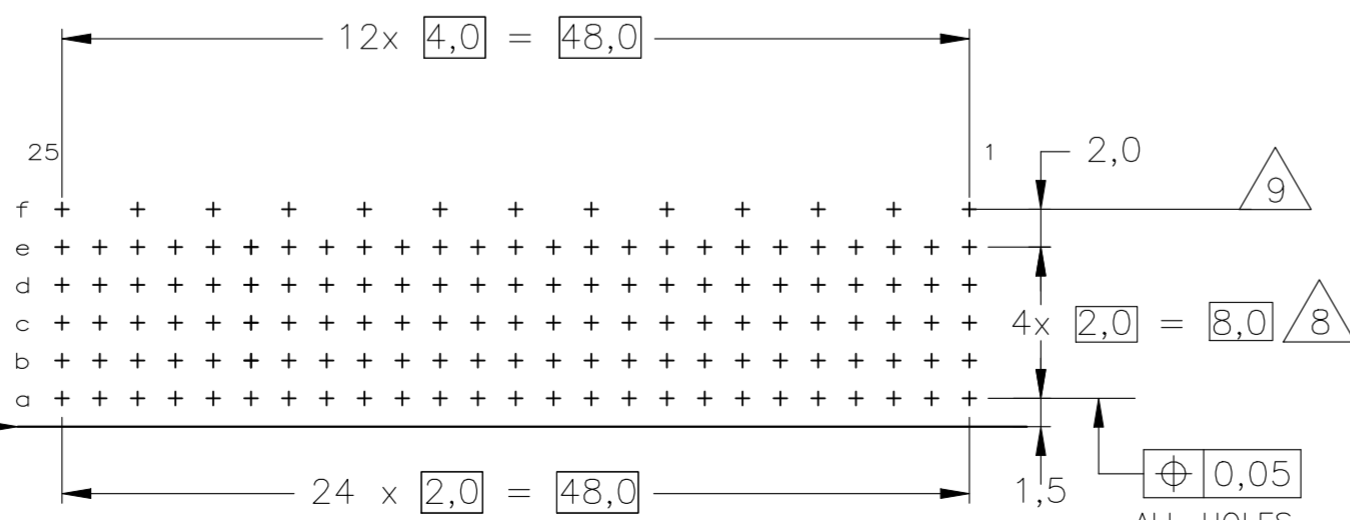


NOTES:

- 1 MATERIAL CONTACTS; PHOSPHORBRONZE  
MATERIAL HOUSING; GLASSFILLED POLYESTER (GRAY)
- 2 GENERAL PLATING SPECIFICATION: UNDERPLATING (ENTIRE CONTACT): 1,27µm NICKEL MIN. AND COMPLIANT PIN SECTION: 0,5µm TIN MIN. FOR PLATING OF MATING SURFACES SEE APPLICABLE SPECIFICATION REFERENCE FOR EACH DASH NUMBER.
- 3 CONFORMS TO ALL TESTING ACCORDING IEC 61076-4-101 PERFORMANCE LEVEL 2.
- 4 CONFORMS TO ALL TESTING ACCORDING IEC 61076-4-101 PERFORMANCE LEVEL 1.
- 5 CONNECTOR TESTED AND QUALIFIED AGAINST TELCORDIA GR-1217-CORE QUALITY LEVEL III, CENTRAL OFFICE APPLICATIONS.
- 6 CONNECTOR LUBRICATED WITH TELCORDIA APPROVED LUBRICANT.
- 7 ASSEMBLY PRINTED WITH P/N AND DATECODE THE MARKING CAN APPEAR ON THE FRONT SIDE OR BACK SIDE.
- 8 HOLE PATTERN FOR FEMALE CONNECTOR TYPE B 125 PLATED-THROUGH HOLES AT 2x2mm SQUARE GRID
- 9 ROW "f" 13 PLATED THROUGH HOLES FOR UPERSHIELD SHIELD MOUNTED ON CONNECTOR WITH DOUBLE SIDED ADHESIVE TAPE OR ADHESIVE.
- 10
- 11 BASIC P.N. LOWERSHIELD: 5338110



COMPONENT SIDE AS SHOWN  
RECOMMENDED PCB-HOLE LAY-OUT  
SCALE 2,5:1



P.C.B. HOLE DIM. COMPLIANT PIN  
FOR DETAILS SEE  
APPLICATION SPECIFICATION

THIS DRAWING IS A CONTROLLED DOCUMENT.

DIMENSIONS:	TOLERANCES UNLESS OTHERWISE SPECIFIED:	DWN	J.van Hoek	23AUG2007
mm	±0.2	CHK	B.Mooij	23AUG2007
		APVD	J.Broeksteeg	23AUG2007
		PRODUCT SPEC	108-19082	
		APPLICATION SPEC	114-19029	
MATERIAL	FINISH	WEIGHT	0.000000	

FINISH	MATERIAL	PARTNUMBER
2,5,6	1	1857995-9
2,4	1	1857995-4
2,3	1	1857995-1
<p><b>TE</b> TE Connectivity Ltd.</p> <p>Z-PACK 2mm HM TYPE B - 25 COLUMNS PRE-SHIELDED RECEPTACLE</p>		
SIZE	CAGE CODE	DRAWING NO
A2	00779	C=1857995
CUSTOMER DRAWING	SCALE	SHEET
	5:1	1 of 1
RESTRICTED TO	REV	D