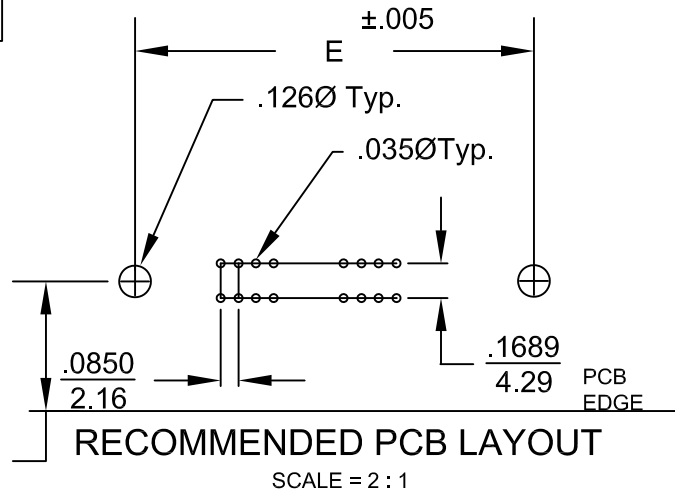
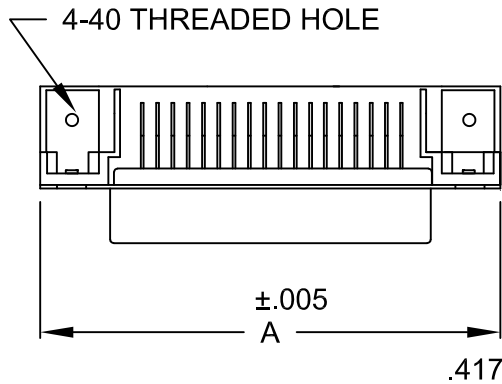
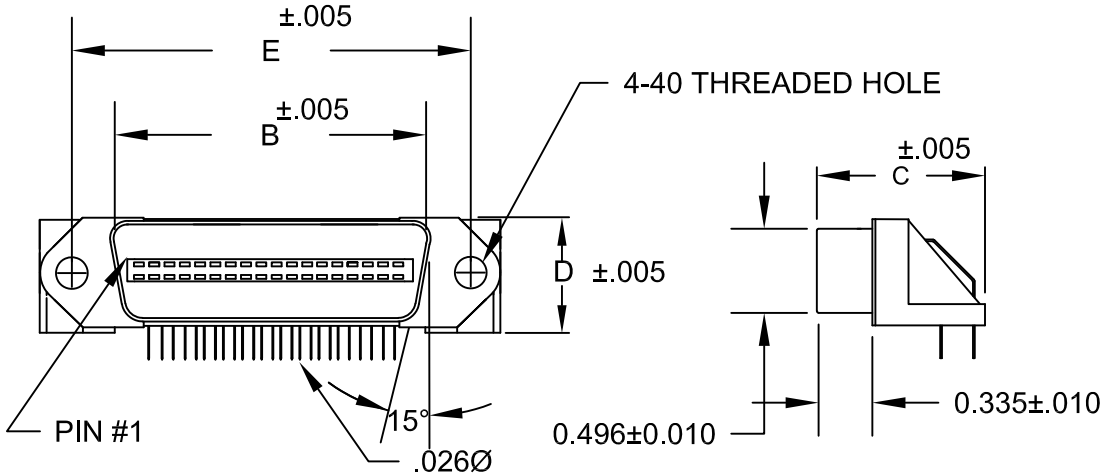


DESCRIPTION: .085" RIBBON R/A BOARD MOUNT



	A	B	C	D	E
14	1.720	1.008	.984	.618	1.417
	43.70	25.60	25.00	15.70	35.99
24	2.146	1.436	.984	.618	1.843
	54.50	36.47	25.00	15.70	46.79
36	2.662	1.943	.984	.618	2.352
	67.60	49.35	25.00	15.70	59.74
50	3.260	2.539	.984	.618	2.947
	82.80	64.47	25.00	15.70	74.85



112-YYY-113R001

SERIES _____

POSITIONS _____

014 _____

024 _____

036 _____

050 _____

GENDER _____

1 = MALE

TERMINATION _____

1 = DIP SOLDER

SHELL PLATING _____

3 = NICKEL

HARDWARE OPTIONS _____

00 = 4-40 THREAD (PCB)

PLATING OPTIONS _____

01 = GOLD FLASH

MATERIALS:

INSULATOR: PA9T, UL94V-0, BLUE
 CONTACTS: COPPER ALLOY
 CONTACT PLATING: GOLD FLASH IN THE MATING AREA
 MATTE TIN IN THE SOLDER AREA

CONTACT INSERTION FORCE: 25 Lbs. Max.
 CONTACT SEPARATION FORCE: 2 Lbs. Min.

ELECTRICALS:

CONTACT CURRENT RATING: 1 AMP
 DIELECTRIC WITHSTANDING VOLTAGE: 1000 VAC
 VOLTAGE: 250 VAC Max.
 INSULATION RESISTANCE: 1000 MOhms Min.
 CONTACT RESISTANCE: 30 MilliOhms MAXIMUM
 OPERATING TEMPERATURE: -55°C TO +105°C



THESE DRAWINGS AND SPECIFICATIONS ARE THE PROPERTY OF NorComp AND SHALL NOT BE REPRODUCED, COPIED OR USED AS THE BASIS FOR THE MANUFACTURE OF SALE OF APPARATUS WITHOUT WRITTEN PERMISSION.

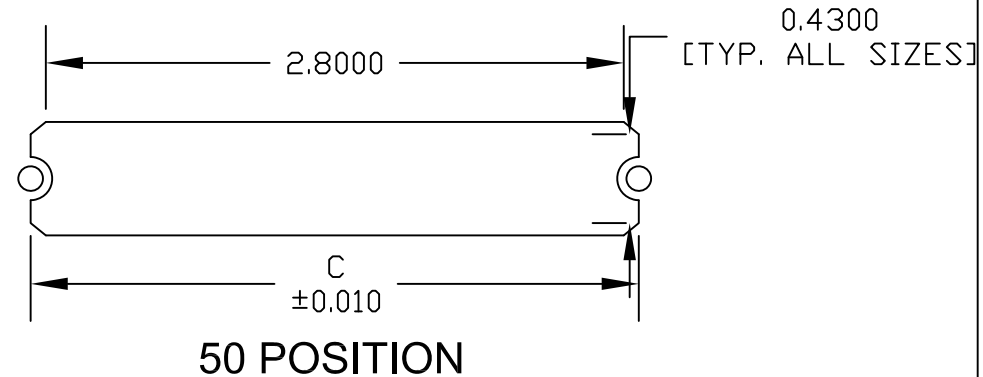
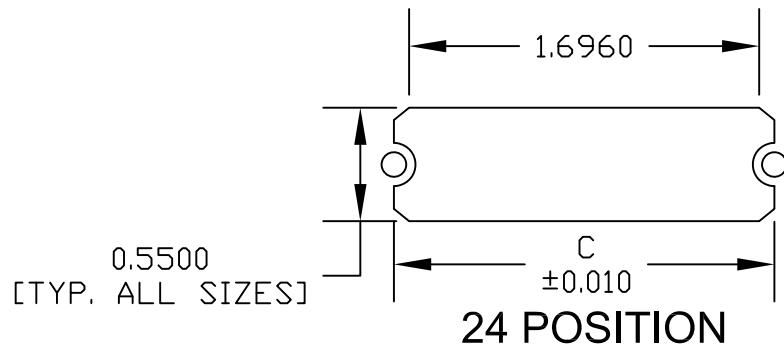
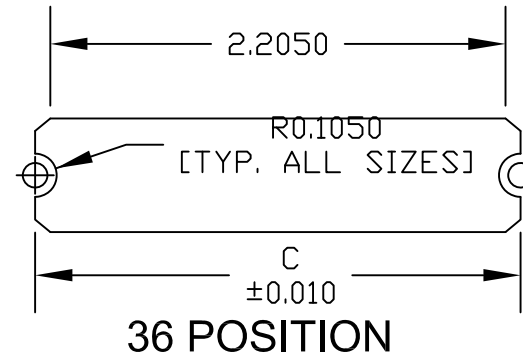
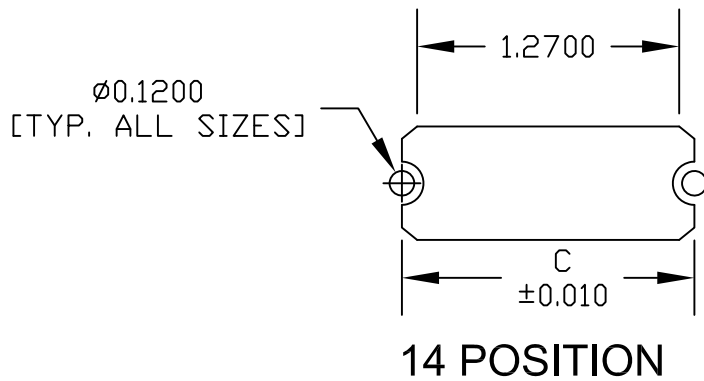
DRAWN: WAYNE ROBBINS		DATE: 7-12-05	
CHECKED:		DATE:	
SCALE: 1:1	SHEET 1 OF 2	REV 6	
DWG NO. 112-YYY-113R001			

RoHS COMPLIANT

NorComp

DESCRIPTION: 0.085 RIBBON - BOARD CUTOUT

	014	024	036	050
C	1.417	1.843	2.352	2.947
	36.00	46.80	59.74	74.85



NOTE DIMENSION "C" =
 CENTER TO CENTER OF MOUNTING HOLES
 CENTER OF RADI
 OVERALL LENGTH OF CUTOUT

DO NOT SCALE FROM DRAWING



THESE DRAWINGS AND SPECIFICATIONS ARE THE PROPERTY OF NorComp AND SHALL NOT BE REPRODUCED, COPIED OR USED AS THE BASIS FOR THE MANUFACTURE OF SALE OF APPARATUS WITHOUT WRITTEN PERMISSION.

DRAWN: M. SIGMON		DATE: 01-14-11	
CHECKED:		DATE:	
SCALE: NONE	SHEET 2	OF 2	REV 6
DWG NO. 112-YYY-113R001			

RoHS COMPLIANT

NorComp