

General Specifications

Motor Protection:

Auto Restart/Polarity Protection

Insulation Resistance:

10M Ω or over with a DC500V Megger

Dielectric Withstand Voltage:

AC 700V 1s or AC 500V 1min

Allowable Ambient Temperature Range:

-10°C ~ +60°C (Operating)

-40°C ~ +70°C (Storage)

(non-condensing environment)

Expected Life

Failure Rate: 10%

25°C 100,000 Hours

Material

Casing : Plastic (Black) UL94V-0

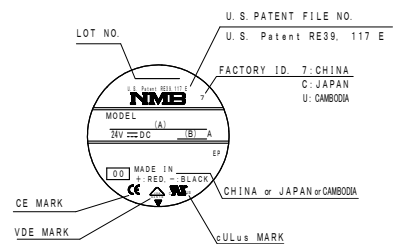
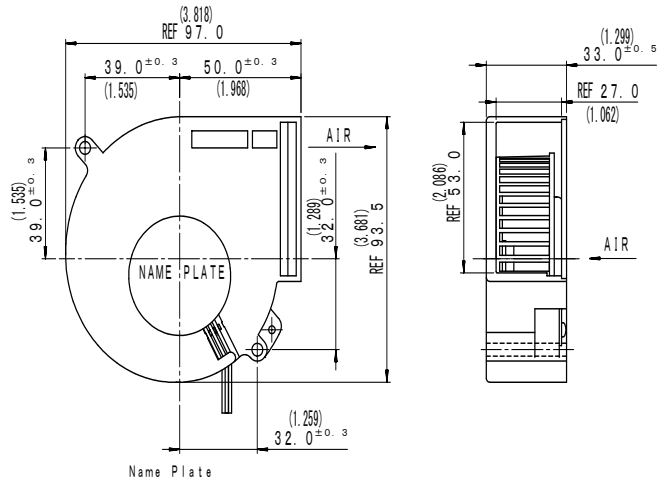
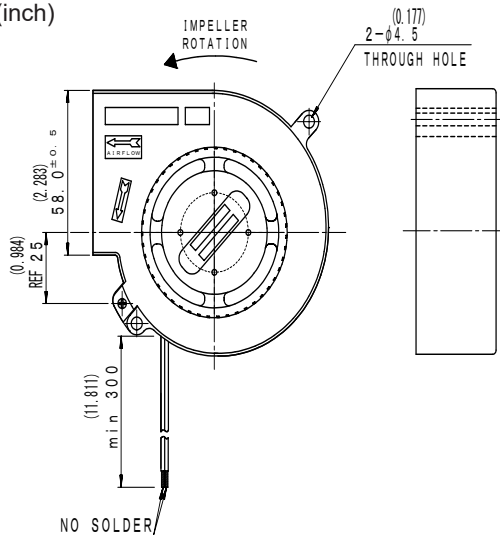
Impeller : Plastic (Black) UL94V-0

Bearing : Ball Bearing

Lead Wire : UL1007 AWG26, +Red, -Black

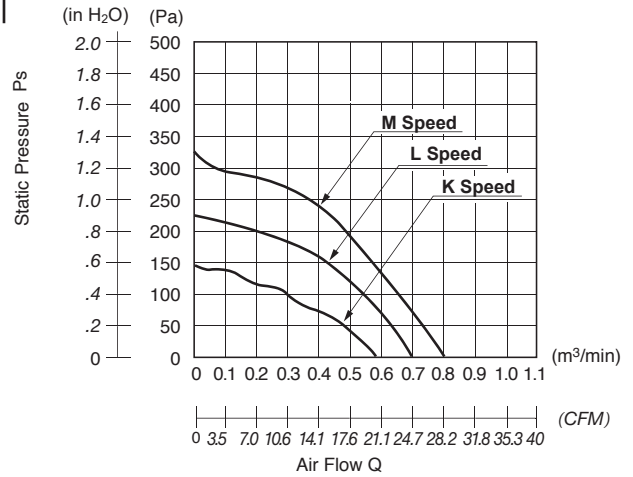
Outline

Unit: mm (inch)



| | (A) | (B) |
|----------------|---------|-----|
| Model Name | Current | |
| 09533GA-24K-AA | 0.28 | |
| 09533GA-24L-AA | 0.43 | |
| 09533GA-24M-AA | 0.64 | |

Characteristic Curves



Specifications

| MODEL | Rated Voltage | Operating Voltage | Current | Input Power | Speed | Max. Air Flow | | Max. Static Pressure | | Noise | Mass |
|-------------------|---------------|-------------------|---------|-------------|------------------------|---------------|-----------------------|-----------------------|------|--------|------|
| | (V) | (V) | (A)*1 | (W)*1 | (min ⁻¹)*1 | (CFM) | (m ³ /min) | (in H ₂ O) | (Pa) | (dB)*1 | (g) |
| 09533GA-24K-AA-00 | 24 | 10.0 ~ 27.6 | 0.21 | 5.04 | 2700 | 20.48 | 0.58 | 0.61 | 152 | 47.5 | 210 |
| 09533GA-24L-AA-00 | 24 | 10.0 ~ 27.6 | 0.33 | 7.92 | 3200 | 24.72 | 0.70 | 0.90 | 225 | 51.5 | 210 |
| 09533GA-24M-AA-00 | 24 | 10.0 ~ 25.0 | 0.49 | 11.76 | 3700 | 28.60 | 0.81 | 1.37 | 342 | 54.5 | 210 |

*1: Average Values in Free Air

Note: PWM/Locked Rotor/Tach Available