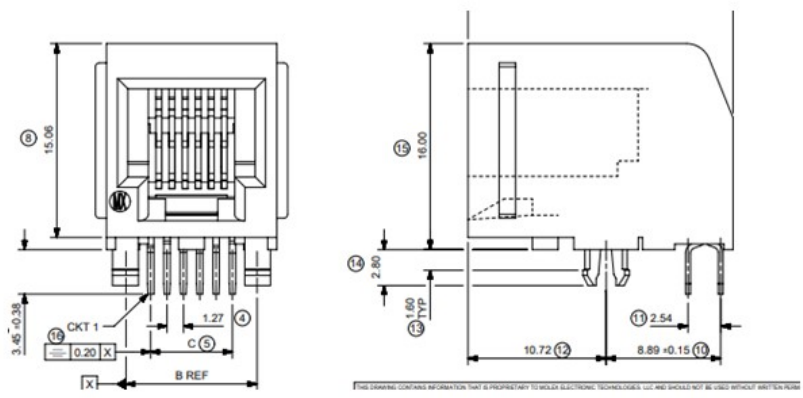




Product Change Notification

Date Issued :	September 26, 2022	PCN Number :	512700
Reason for Change :	Packaging Method/Quantity Changing		
Description of Change :	This notification is to inform you about part(s) listed in this notice that will undergo changes for new Delivery unit. No changes will be made to the product as a result of this change.		
Reason for Short Notice :	Capacity Increase		
Assessment of Change :	Drop Test		
Planned Implementation Date :	October 30, 2022		
Sample Availability Date:	October 15, 2022		
Internal Molex Qualification Date :	October 15, 2022		
Last date to request Samples by Customer :	October 30, 2022		

Before Picture



After Picture

Overview

Change the SPQ/MOQ for listed part numbers. Because the package quantity have been changed after the automation line implemented. Only impact to the package quantity. no impact to fit, form or function.

Current SPQ/MOQ	New SPQ/MOQ
950097441: 4,160 per box	3,952 per box
950097641: 3,536 per box	3,432 per box
950097661: 3,536 per box	3,432 per box

RELEASED

You may address inquires regarding this PCN by clicking on the below link
mailto:pcn_coordinator@molex.com?subject=PCN_Notification:512700
or contact your Local Sales Engineer.

Note: While responding, please retain " PCN Notification : **PCN Notification: 512700** " in the e-mail Subject line for faster response.

[Molex, LLC](#)
2222 Wellington Court
Lisle, IL 60532
TEL (800) 786-6539
www.molex.com

Updated Quantity Template

Molex Part Number	Current Standard Pack Quantity (DU)	Current Minimum Order Quantity(MLQ)	New Standard Pack Quantity (DU)	New Minimum Order Quantity(MLQ)
950097441	4160	4,160	3,952	3,952
950097641	3536	3,536	3,432	3,432
950097661	3536	3,536	3,432	3,432