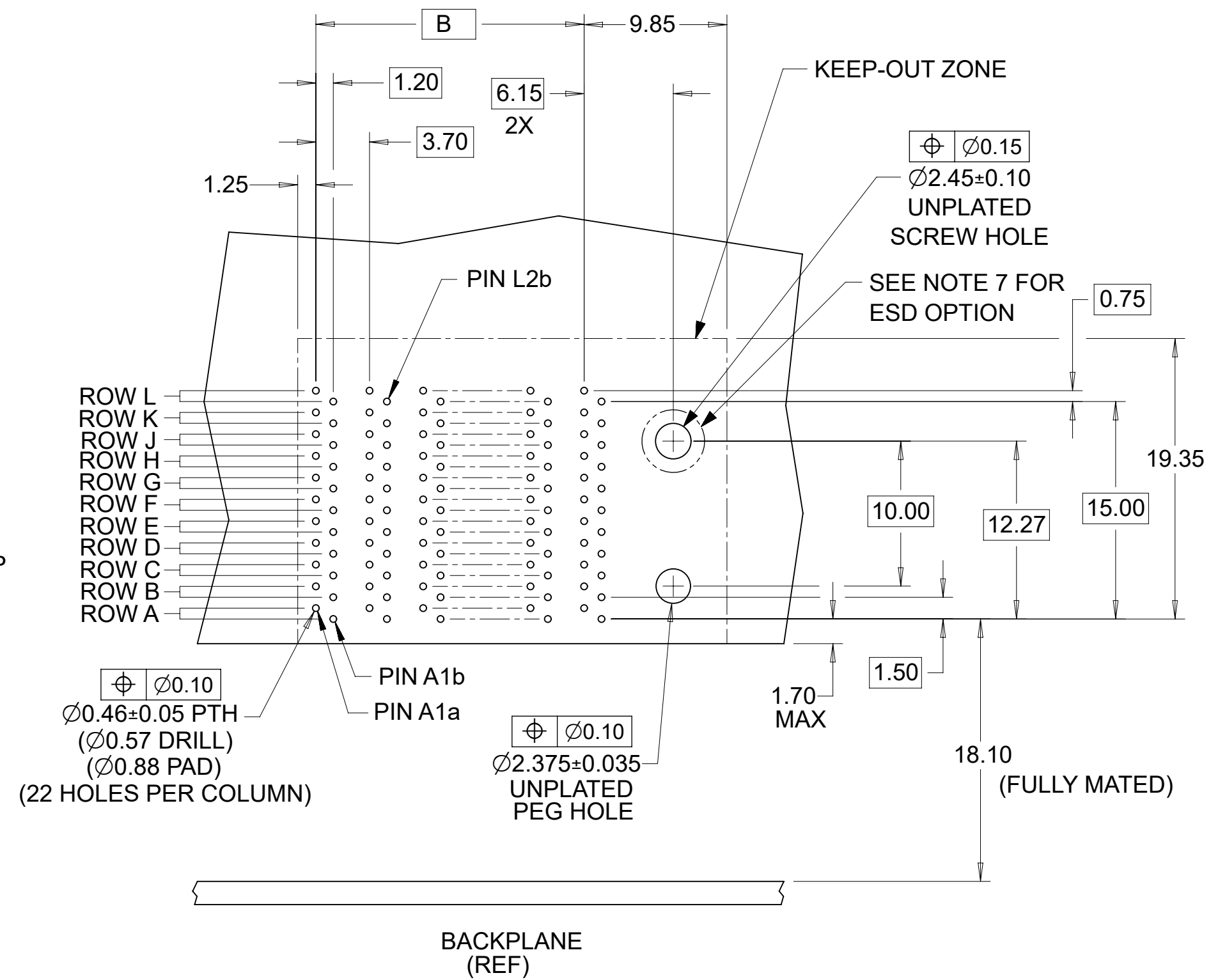
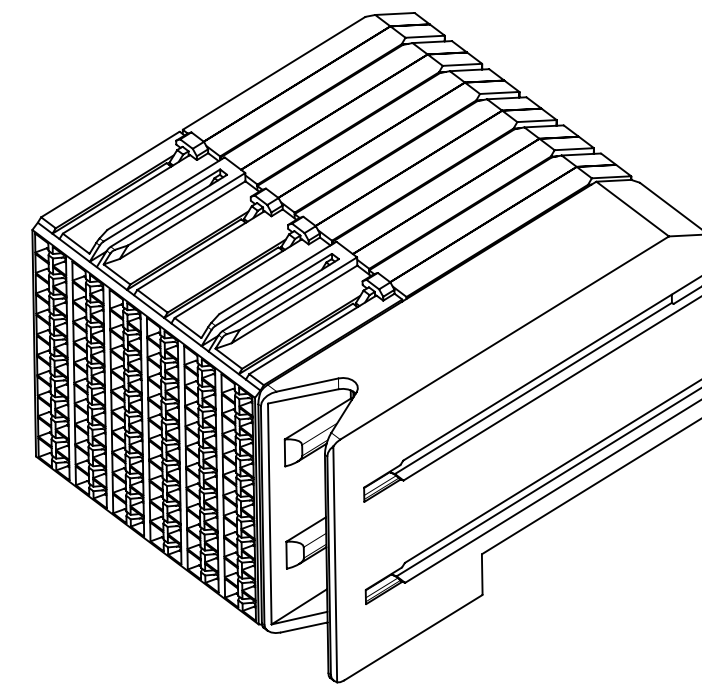
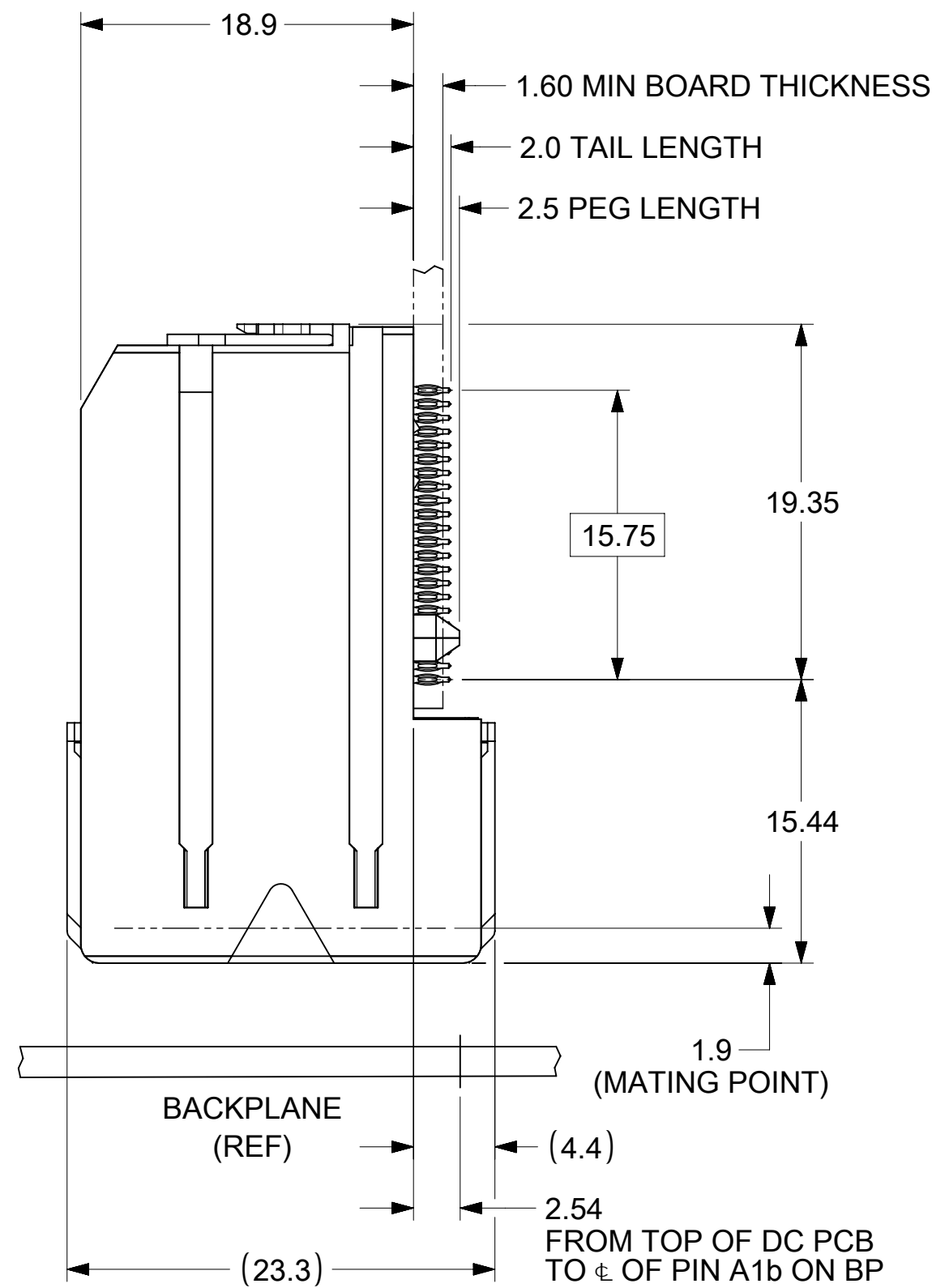


KEY SHOWN IN POSITION "B"



DAUGHTERCARD HOLE PATTERN  
(CONNECTOR SIDE)

NOTES:

1. MATERIALS: HOUSING - LIQUID CRYSTAL POLYMER (LCP) GLASS-FILLED, UL94V-0  
TERMINALS - HIGH PERFORMANCE COPPER ALLOY
2. FINISH: SELECTIVE GOLD IN CONTACT AREA.  
SELECTIVE MATTE TIN ON PCB TAILS. NICKEL OVERALL
3. REFER TO MOLEX PRODUCT SPECIFICATION PS-75710-999 FOR PERFORMANCE SPECS.
4. PRODUCT IS PACKAGED PER PK-70873-609.
5. THIS PART CONFORMS TO CLASS B REQUIREMENTS OF COSMETIC SPEC PS-45499-002.
6. GUIDED PARTS TO BE SHIPPED WITH 2-32 TYPE AB  
SELF-TAPPING SCREW P/N 73726-0000.
7. FOR GROUNDED GUIDE MODULES USE DIA 2.45+/-0.10 (PTH), DIA 2.58 (DRILL).  
AND DIA 4.50 (PAD)
8. MAPS (MOLEX ADVANCED PLATING SYSTEM)

THIS DRAWING CONTAINS INFORMATION THAT IS PROPRIETARY TO MOLEX ELECTRONIC TECHNOLOGIES, LLC AND SHOULD NOT BE USED WITHOUT WRITTEN PERMISSION

DIMENSION UNITS	SCALE	CURRENT REV DESC:	molex					
mm	NTS	REMASTERED TO NX	I-TRAC DAUGHTERCARD					
GENERAL TOLERANCES (UNLESS SPECIFIED)			11 ROW SIGNAL MODULE GUIDE RIGHT SALES DWG					
ANGULAR TOL	± 0.5°	EC NO: 671119	PRODUCT CUSTOMER DRAWING					
4 PLACES	±	DRWN: YOGEEB	2021/06/28	DOCUMENT NUMBER		DOC TYPE	DOC PART	REVISION
3 PLACES	±	CHK'D: VINODM3	2022/01/31	SD-75710-004		PSD	001	E1
2 PLACES	± 0.13	APPR: CWANG25	2022/02/18	MATERIAL NUMBER		CUSTOMER		
1 PLACE	± 0.25	INITIAL REVISION:	2006/06/19		SEE TABLE		GENERAL MARKET	
0 PLACES	±	DRWN: MCARRANZA	2006/06/21		DRAWING		SHEET NUMBER	
DRAFT WHERE APPLICABLE MUST REMAIN WITHIN DIMENSIONS		THIRD ANGLE PROJECTION	C-SIZE	SERIES	75710		1 OF 2	

# 75710- \* \* \* \*

MODULE TYPE -- TAIL PLATING TYPE  
 GUIDE RIGHT -- MATTE TIN (FORMERLY TIN/LEAD) = 4  
 GUIDE RIGHT -- MATTE TIN = 5

POLARIZATION KEY ORIENTATION  
 0 = NO KEY  
 1 = A    5 = E  
 2 = B    6 = F  
 3 = C    7 = G  
 4 = D    8 = H

# OF COLUMNS/PLATING  
 05 = 5 COL 30 GOLD  
 06 = 6 COL 30 GOLD  
 08 = 8 COL 30 GOLD  
 10 = 10 COL 30 GOLD  
 55 = 5 COL W/ESD 30 GOLD  
 56 = 6 COL W/ESD 30 GOLD  
 58 = 8 COL W/ESD 30 GOLD  
 50 = 10 COL W/ESD 30 GOLD  
 25 = 5 COL 10 GOLD (MAPS)  
 26 = 6 COL 10 GOLD (MAPS)  
 28 = 8 COL 10 GOLD (MAPS)  
 20 = 10 COL 10 GOLD (MAPS)  
 65 = 5 COL W/ESD 10 GOLD (MAPS)  
 66 = 6 COL W/ESD 10 GOLD (MAPS)  
 68 = 8 COL W/ESD 10 GOLD (MAPS)  
 60 = 10 COL W/ESD 10 GOLD (MAPS)

MATERIAL NUMBER	# OF COLUMNS	DIM "A" MAX	DIM "B"
75710-***5	5	25.90	14.80
75710-***6	6	29.60	18.50
75710-***8	8	37.00	25.90
75710-***0	10	44.40	33.30

THIS DRAWING CONTAINS INFORMATION THAT IS PROPRIETARY TO MOLEX ELECTRONIC TECHNOLOGIES, LLC AND SHOULD NOT BE USED WITHOUT WRITTEN PERMISSION													
DIMENSION UNITS		SCALE		CURRENT REV DESC: REMASTERED TO NX				<b>molex</b>					
mm		NTS											
GENERAL TOLERANCES (UNLESS SPECIFIED)				EC NO: 671119 DRWN: YOGEEB 2021/06/28 CHK'D: VINODM3 2022/01/31 APPR: CWANG25 2022/02/18 INITIAL REVISION: DRWN: MCARRANZA 2006/06/19 APPR: JLAURX 2006/06/21				I-TRAC DAUGHTERCARD		11 ROW SIGNAL MODULE GUIDE RIGHT SALES DWG			
ANGULAR TOL		± 0.5°						PRODUCT CUSTOMER DRAWING					
4 PLACES		±						DOCUMENT NUMBER		SD-75710-004		DOC TYPE DOC PART REVISION	
3 PLACES		±						PSD		001		E1	
2 PLACES		± 0.13						MATERIAL NUMBER		CUSTOMER		SHEET NUMBER	
1 PLACE		± 0.25		SEE TABLE		GENERAL MARKET		2 OF 2					
0 PLACES		±		THIRD ANGLE PROJECTION		DRAWING		SERIES					
DRAFT WHERE APPLICABLE MUST REMAIN WITHIN DIMENSIONS				C-SIZE		75710							